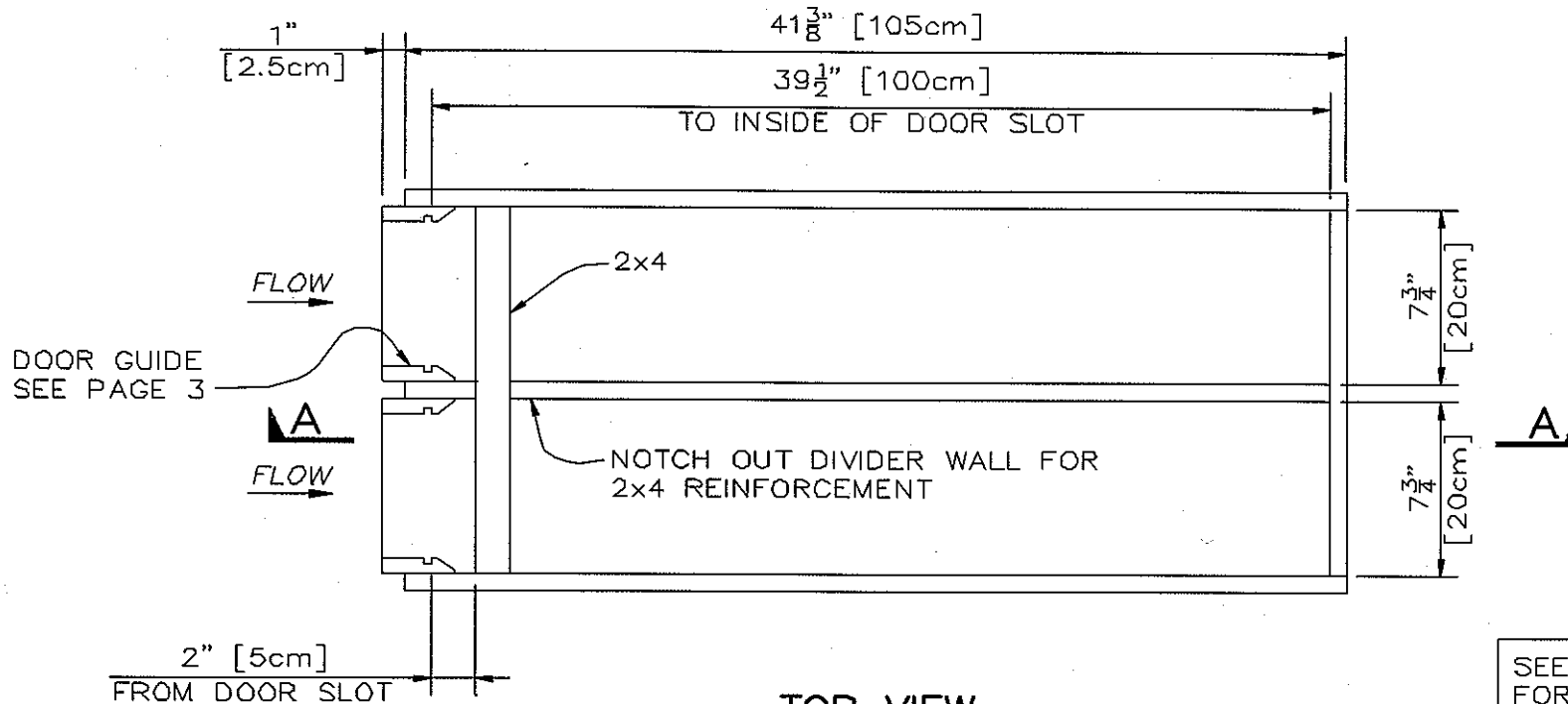
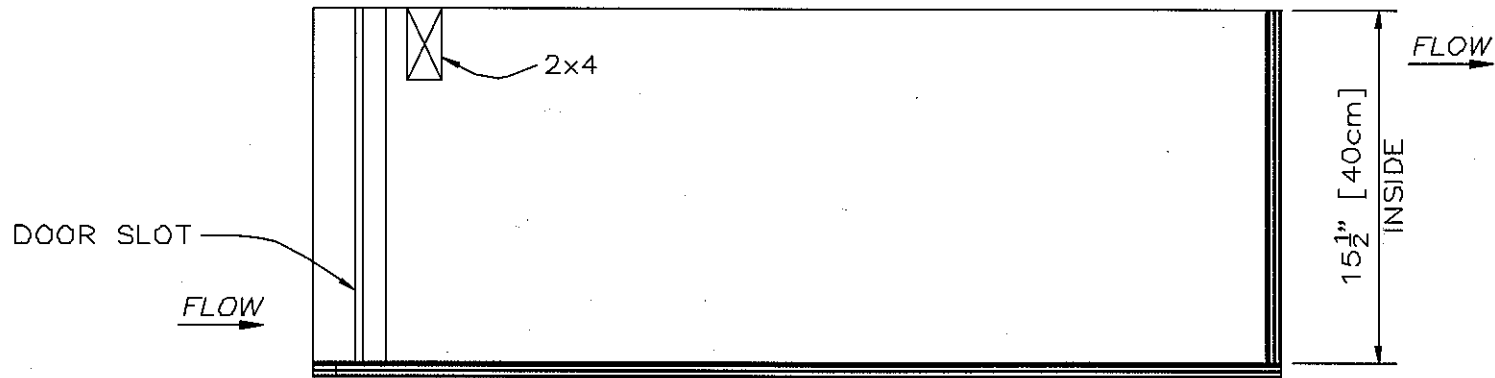


# DOUBLE RECOVERY BOX



TOP VIEW

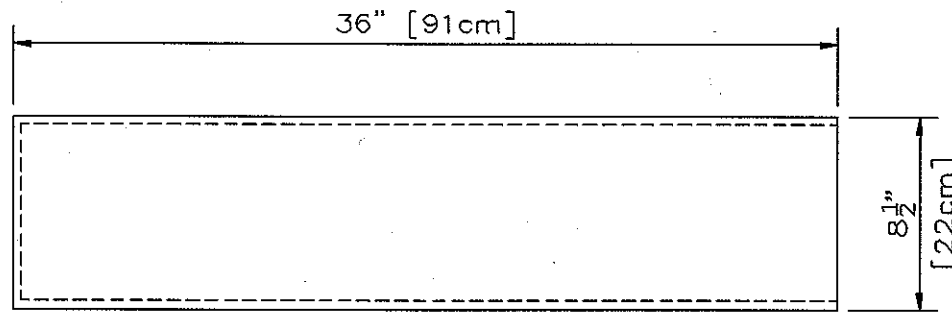


SECTION A-A

USE 3/4" [1.9cm] MARINE GRADE  
OR CONCRETE FORM PLYWOOD  
WITH EDGES COATED  
UNLESS OTHERWISE SPECIFIED

BOX CONSTRUCTION

FLOW  
→

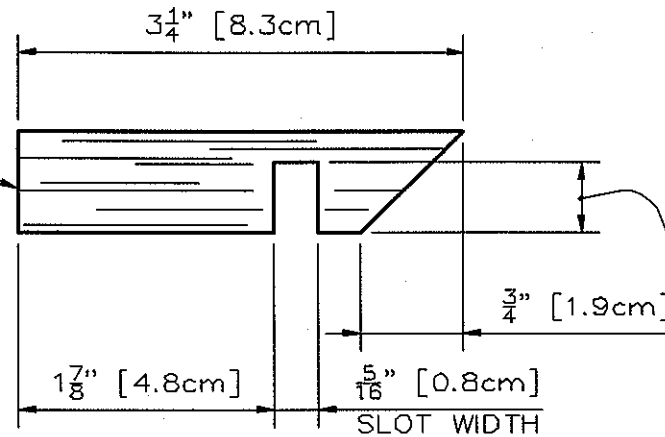


3/4" [1.9cm] PLYWOOD WITH  
3/8" [1cm] RABBET, 3 SIDES AS SHOWN

TOP VIEW

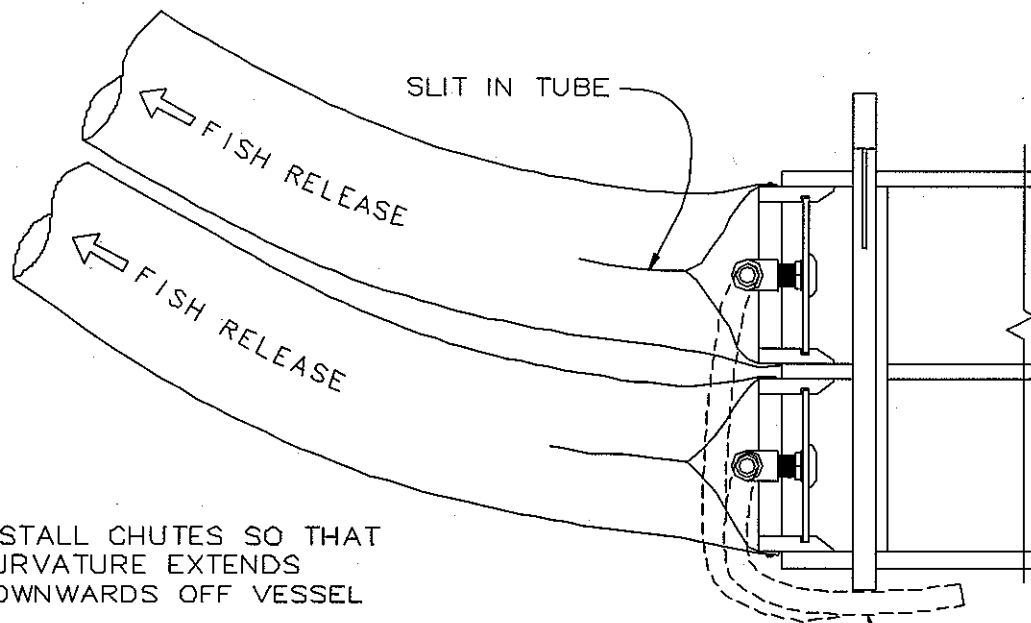
LID - 2 REQUIRED

3/4" [1.9cm] PLYWOOD  
15 1/2" [40cm] LONG



1/2" [1.3cm] SLOT DEPTH

DOOR GUIDE - 4 REQUIRED



INSTALL CHUTES SO THAT  
CURVATURE EXTENDS  
DOWNWARDS OFF VESSEL

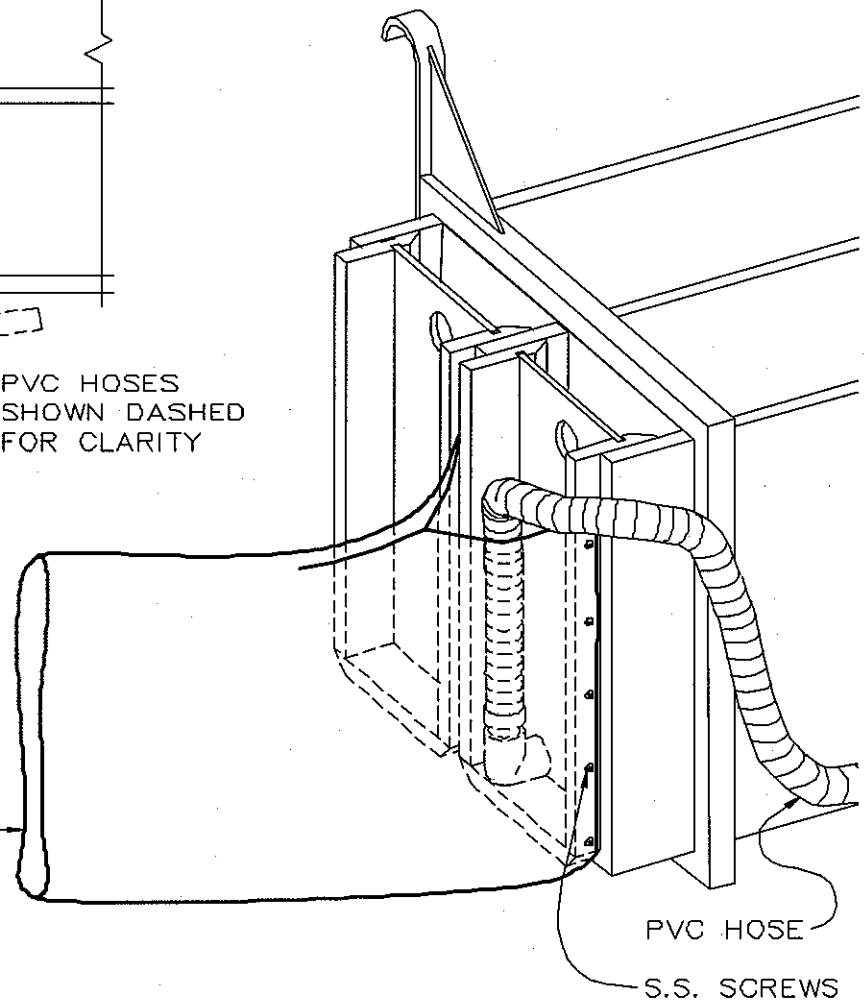
TOP VIEW

PVC HOSES  
SHOWN DASHED  
FOR CLARITY

SECOND CHUTE AND  
HOSE NOT SHOWN

INNER TUBE WITH  
SLIT FOR PVC HOSE AT  
ENTRY END

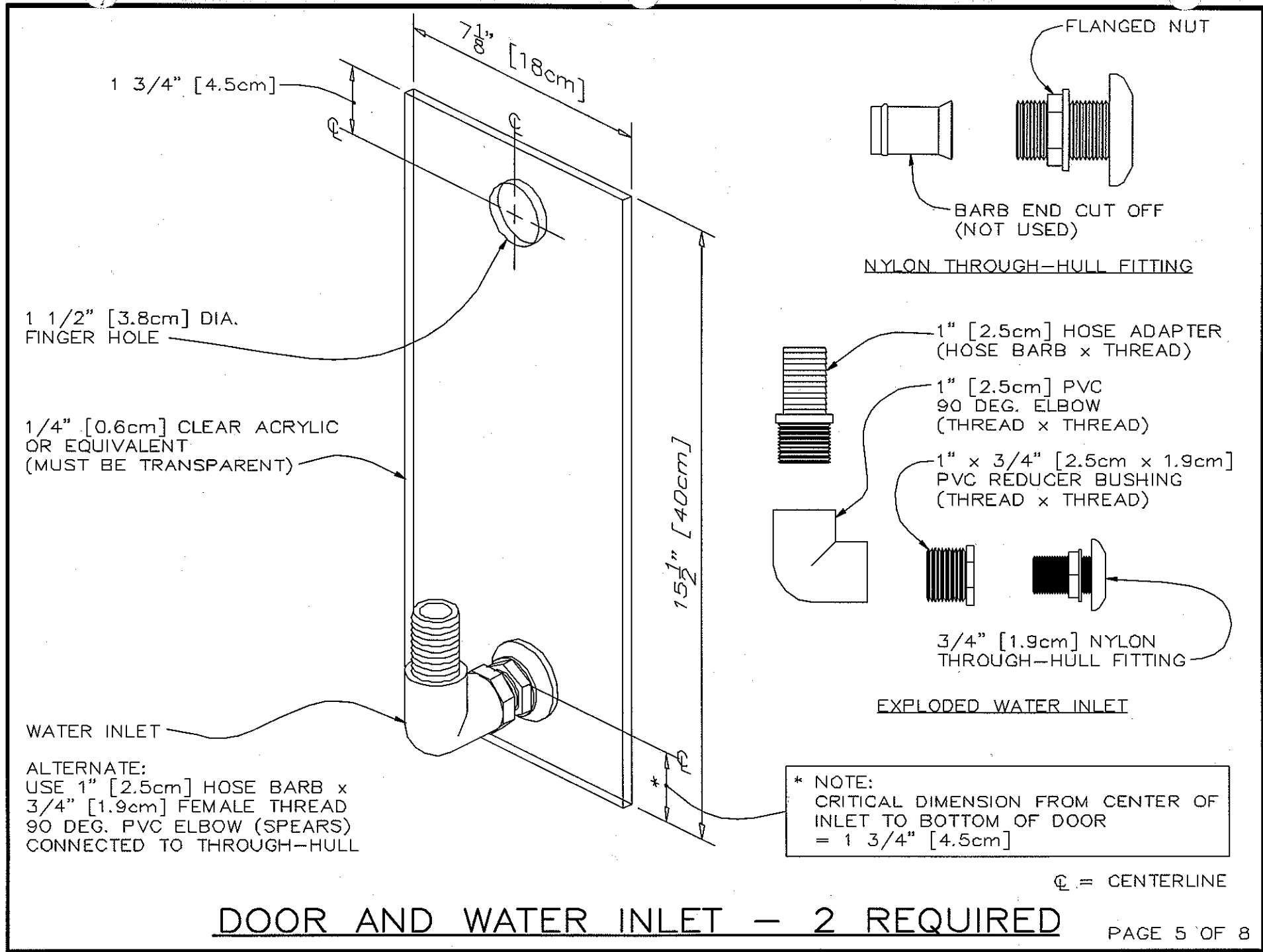
USE TRUCK INNER TUBE  
1000-20" SIZE OR EQUIVALENT  
CUT LENGTH TO SUIT VESSEL  
SCREW TO DOOR GUIDES (INCLUDING BOTTOM)  
WHERE THEY EXTEND FROM BOX

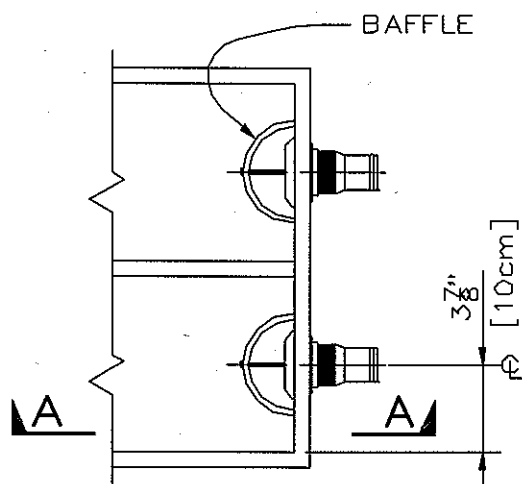


PVC HOSE

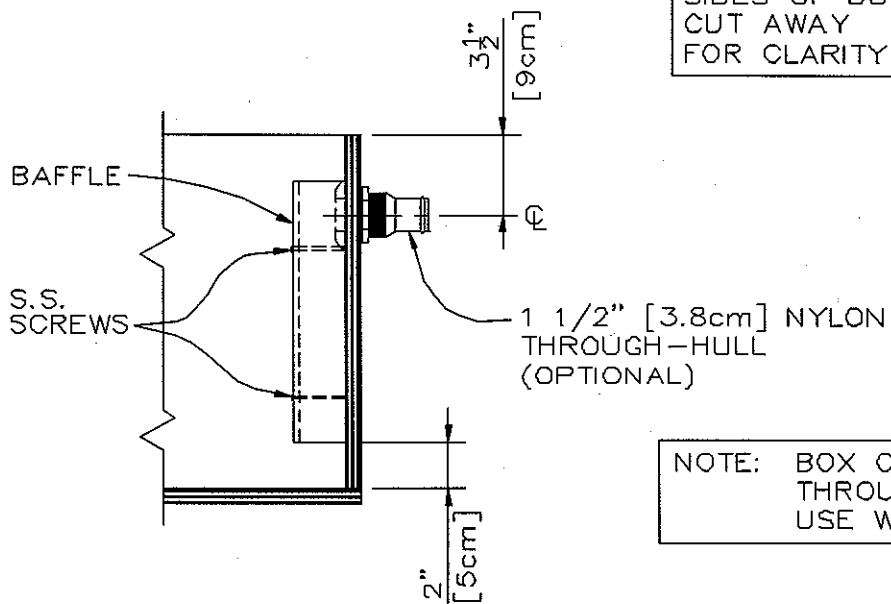
S.S. SCREWS

## RELEASE CHUTE





TOP VIEW

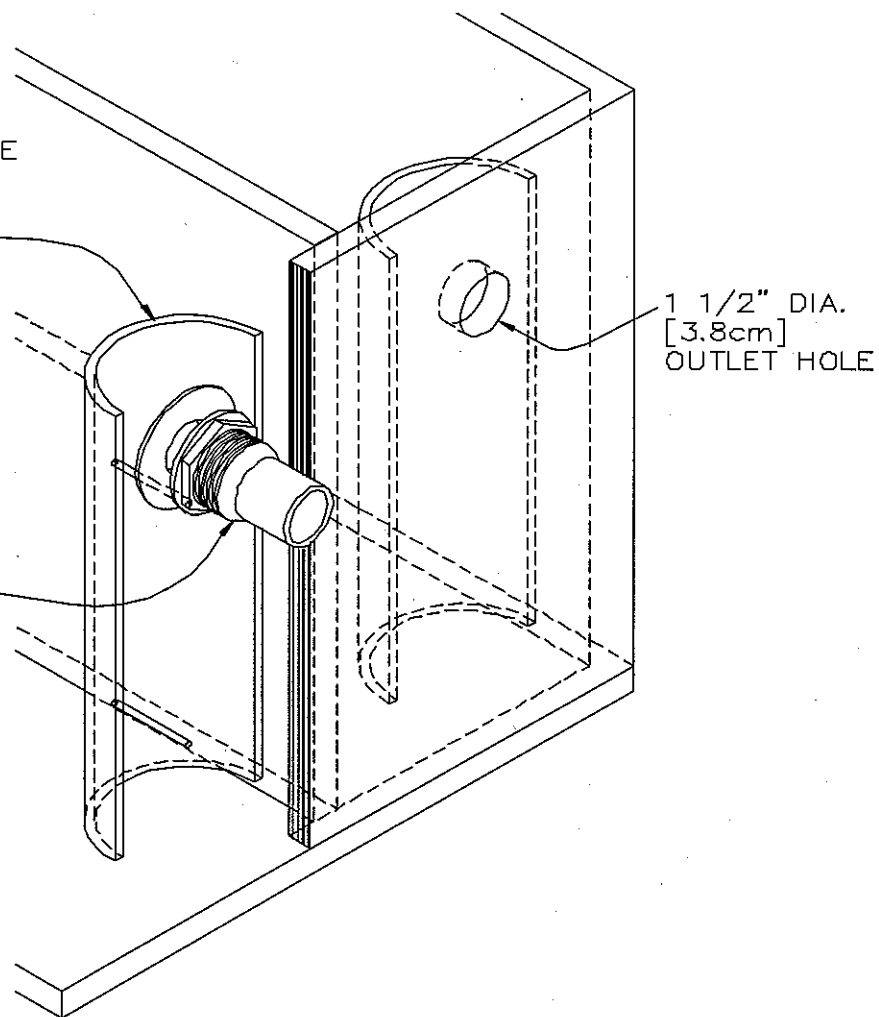


SECTION A-A

BAFFLE  
 1/2 SECTION OF  
 4" [10cm] PVC PIPE  
 12" [30cm] LONG  
 FASTENED TO BOX  
 WITH S.S. SCREWS

OPTIONAL  
 THROUGH-HULL  
 ADAPTER

SIDES OF BOX  
 CUT AWAY  
 FOR CLARITY

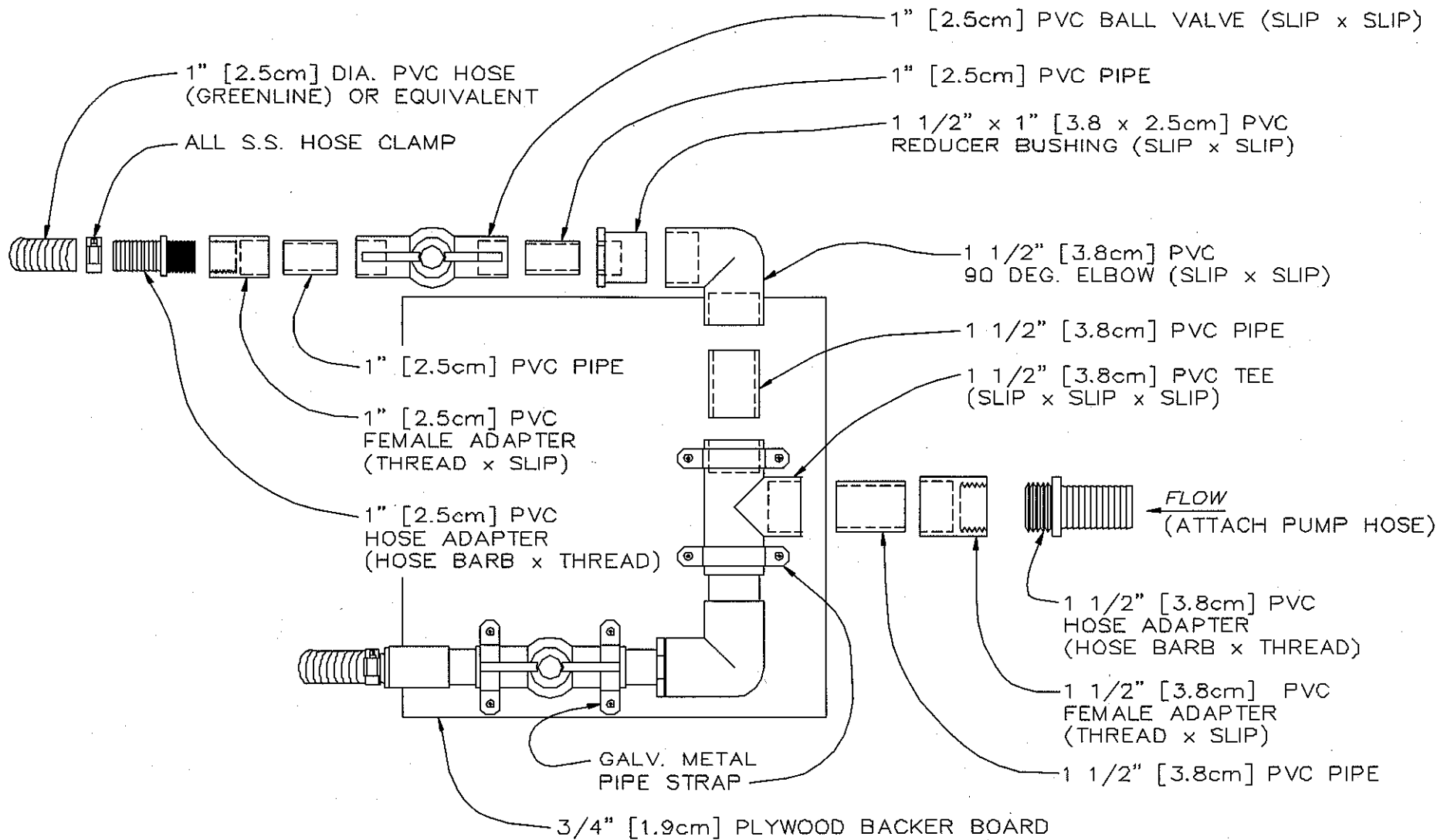


1 1/2" DIA.  
 [3.8cm]  
 OUTLET HOLE

NOTE: BOX OUTLET SHOWN WITH OPTIONAL  
 THROUGH-HULL ADAPTERS FOR  
 USE WITH DRAIN HOSES

S.S. = STAINLESS STEEL  
 ☉ = CENTERLINE

# BOX OUTLET



## VALVE ASSEMBLY

EXTENSION TO  
SUIT VESSEL

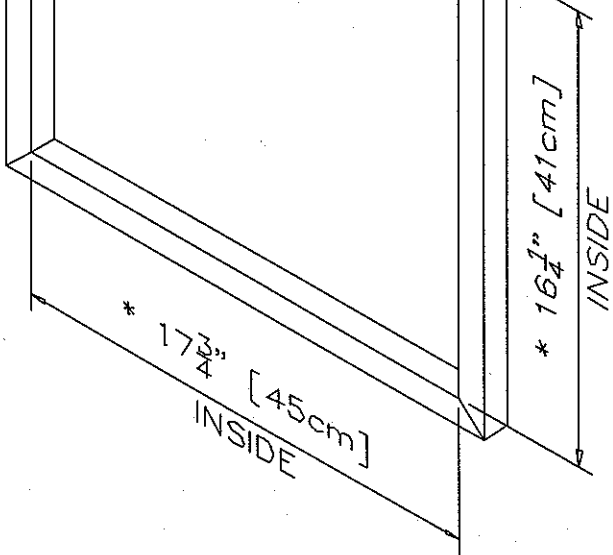
4" [10cm] OVERLAP

1" [2.5cm] ALUM. FLAT BAR, 1/4" [0.6cm] THICK  
CONTINUOUS WELD TO SQUARE TUBING AND GUSSET  
HOOK ROLLED TO FIT VESSEL

ALUM. GUSSET PLATE, 1/8" [0.3cm] THICK  
FULL STRENGTH CONTINUOUS WELD  
TO SQUARE TUBING AND HOOK

1" [2.5cm] ALUM. SQ. TUBE

NOTE:  
HOOK AND GUSSET SHOWN ARE  
FOR OUTSIDE RAIL APPLICATION  
ON DECK APPLICATION DOES NOT  
REQUIRE HOOK OR GUSSET PLATE



\* NOTE:  
DIMENSIONS SHOWN ARE NOMINAL  
BRACKETS SHOULD FIT SNUGLY  
AROUND FINISHED RECOVERY BOX

# ALUMINUM BRACKETS - 2 REQUIRED