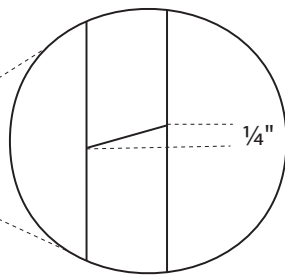
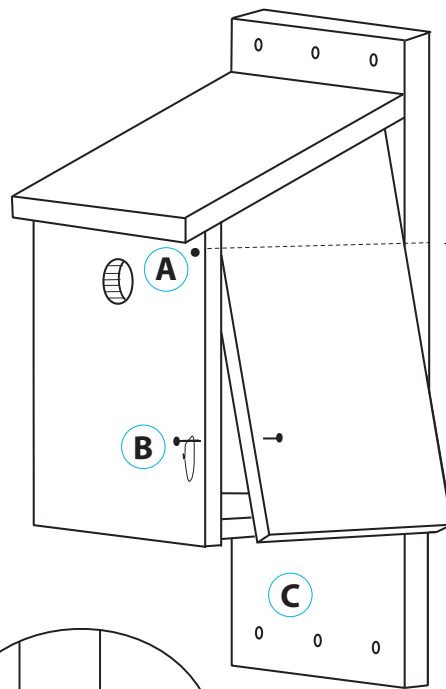
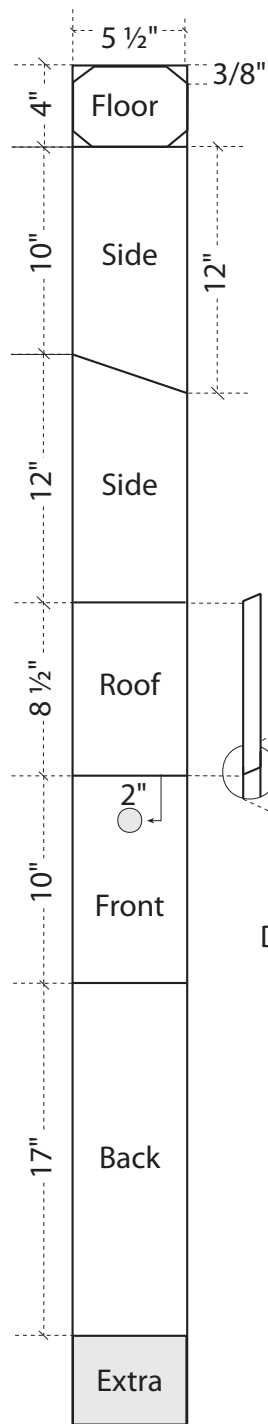
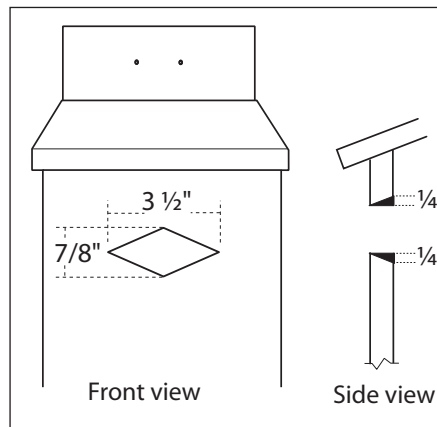


Basic Songbird Nest Box



Detail of Two Slant Cuts



* Optional Entry Hole

NOTE: This diamond-shaped entry hole is designed to prevent access by house sparrows. To work properly, it is extremely important that the final entry hole be made to these dimensions. To accommodate Violet-green Swallows, file down the area inside of the entry hole, as shown in the side view.

- A** Pivot screws work as hinges. To allow the side to open easily, the two pivot screws need to be level
- B** Loop wire around nails
- C** Holes for attaching box to a tree or post with nails, lag bolts, or wire.

Exact Entry Hole Dimensions

- Chickadees 1 inch to 11/8" *
- House wrens 11/8" *
- Violet-green swallows 1 1/4" *
- Tree swallows 1 1/4"
- Nuthatches 1 1/4" *
- Bluebirds 1 1/2"

* See Optional Entry Hole

Materials

- One 1x6" x 6' rough cedar board
- Eighteen 1-1/4" outdoor wood screws or # 7 galvanized nails
- Wire to keep side door shut

Assembly Sequence

