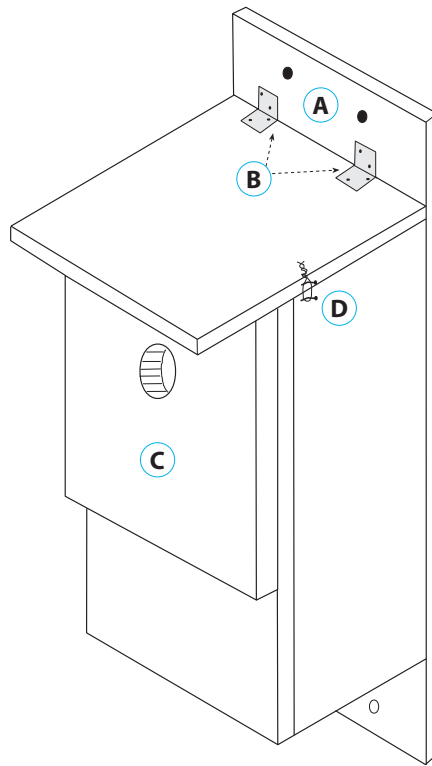
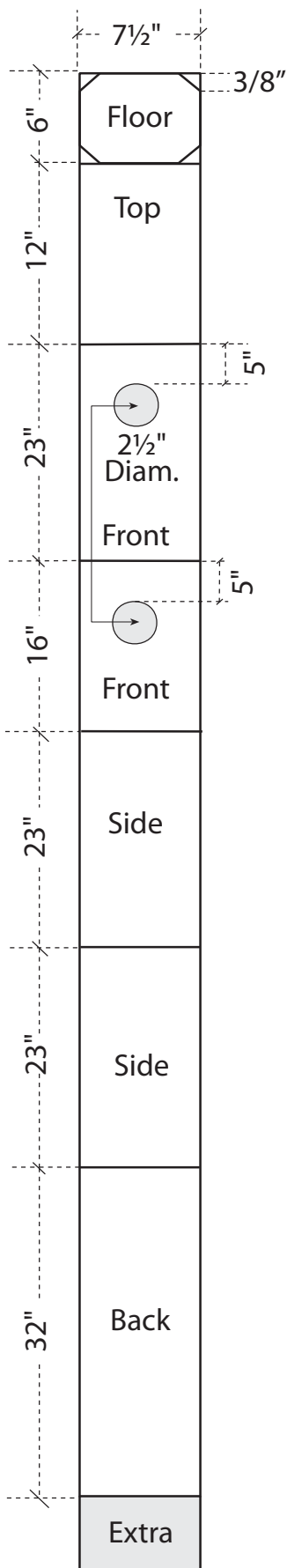


Flicker Nest Box



Materials

- One 1"x 8" x 12' rough cedar board
- Twenty 1-1/4" outdoor wood screws or
- # 7 galvanized nails
- Wire to keep box shut
- Two galvanized hinges

- A** Holes for attaching box to a tree or post with nails, lag bolts, or wire.
- B** Galvanized hinges
- C** Attach smaller front to large one.
- D** Loop wire around nails to keep box shut

Tips on Mounting and Care of Flicker Nest Box

Fill box to the top with wood shavings (animal bedding can be purchased at a pet store). Fine sawdust is not recommended because it remains damp and is difficult for birds to work with. Pack-in the shavings to discourage starlings and sparrows from nesting in the box. Excavating a cavity is an essential part of the Flicker's mating behavior.

Tilt top of box forward about 15 degrees to make it easier for the adults to feed the young, and babies to climb to the hole.

When possible, face box to the south. Mount box 6' high or more and keep the flyway in front of the box open.

Assembly Sequence

