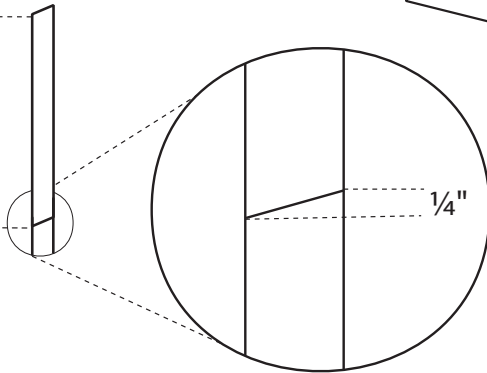
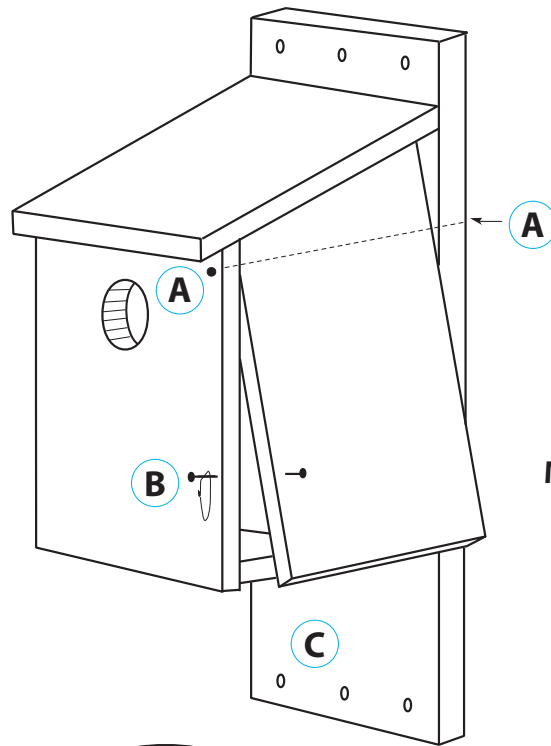
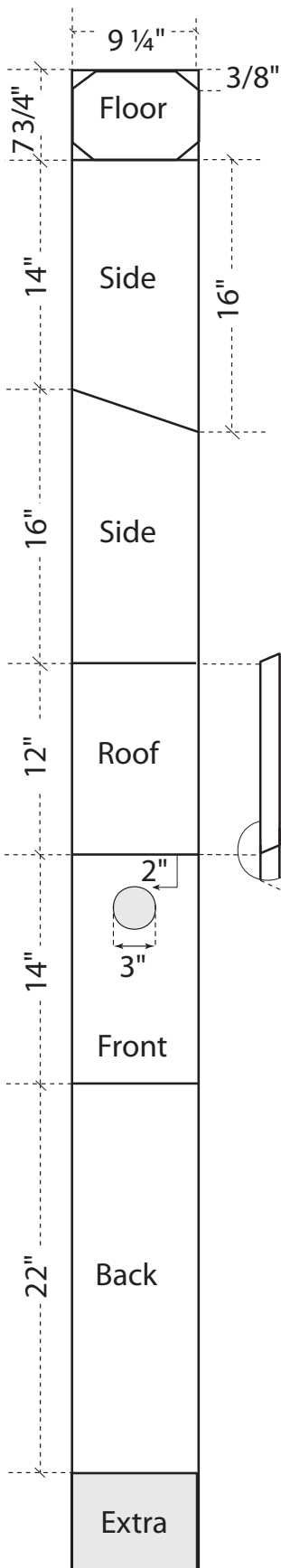


# Kestrel, Saw-whet Owl, and Screech-Owl Nest Box



Detail of Two Slant Cuts

## Materials

- One 1x10" x 8' rough cedar board
- Eighteen 1-1/4" outdoor wood screws or # 7 galvanized nails
- Wire to keep side door shut

- A** Pivot screws work as hinges. To allow the side to open easily, the pivot screw on the opposite side needs to be level with the one in front.
- B** Loop wire around nails
- C** Holes for attaching box to a tree or post with nails, lag bolts, or wire.

## Assembly Sequence

