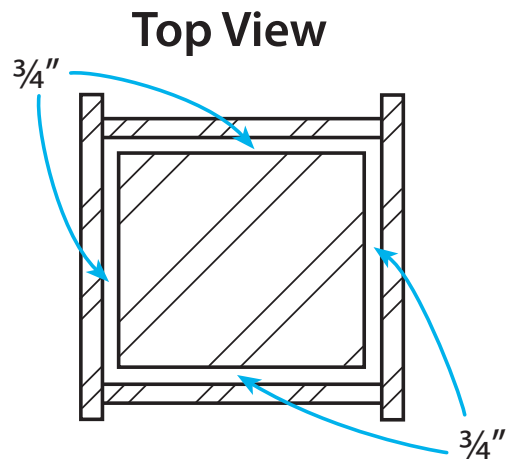
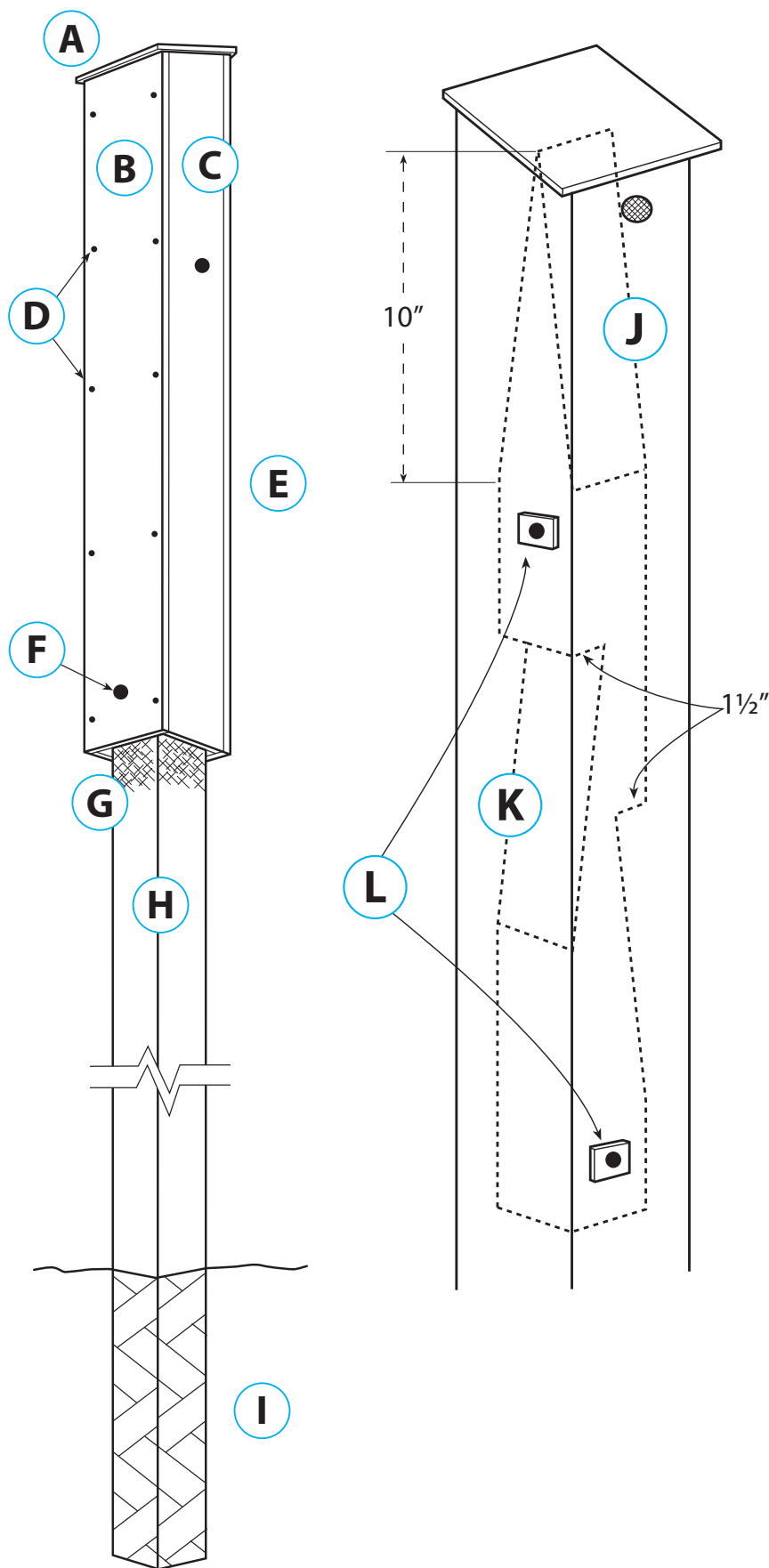


Post Bat House Houses



Materials

- A** Slanted roof
- B** 1 x 6 board
- C** 1 x 8 board ripped or left full size (see top view below)
- D** Galvanized screws
- E** Bat house box should be at least 3' long
- F** 4 lag bolts
- G** Bats enter and exit here. Roughen area with claw hammer.
- H** Non-treated 4 x 4 post 12 to 16 long.
- I** Place 30" to 36" into ground. Chemical treatment is recommended.
- J** Cut top of post at an angle and roughen sides. This is where most bats will roost.
- K** 1 1/2" cut
- L** 3/4" spacer (wood block). Use 4 lag bolts to attach box to 4 x 4 post

For placement and other information, see <http://www.batcon.org>