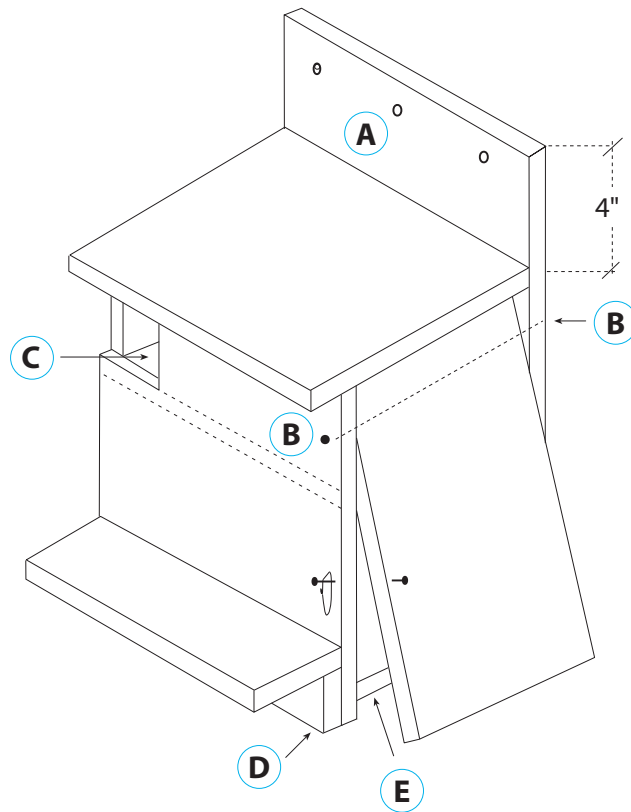
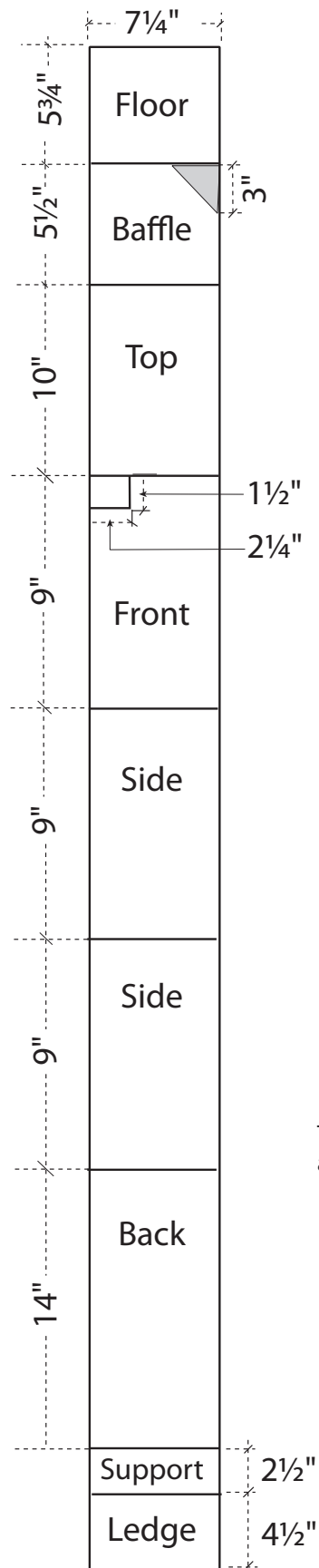


Douglas Squirrel (Chickaree) and Flying Squirrel Nest Box

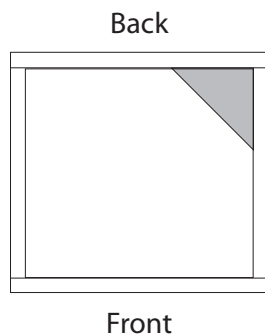


Materials

One 1x 8"x 6' rough cedar board

Twenty 1-1/4" outdoor wood screws or # 7 galvanized nails

- A** Holes for attaching to a tree or post.
- B** Pivot screws work as hinges. To allow the side to open easily, the pivot screw on the opposite side needs to be level with the one in front.
- C** The baffle
- D** Ledge support.
- E** Floor is 1" above bottom of front board.



Top view of nest box showing baffle and location of triangular cutout.

The Baffle

The baffle creates a protected nesting spot for squirrels. It also allows the box to have a dark interior and helps prevent heat loss.

Locate the baffle flush with the bottom of the entry hole (see above drawing). Orient the baffle with the triangular cutout in the far corner opposite the entry hole (see drawing at left).