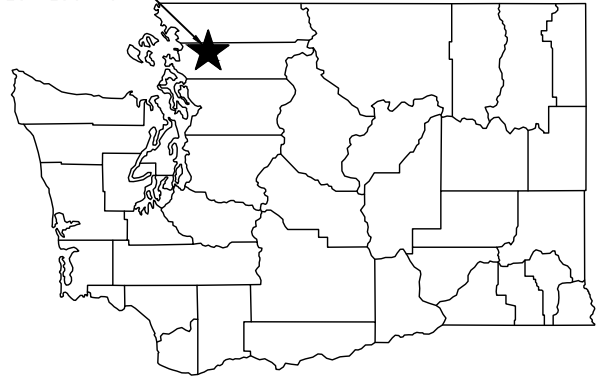
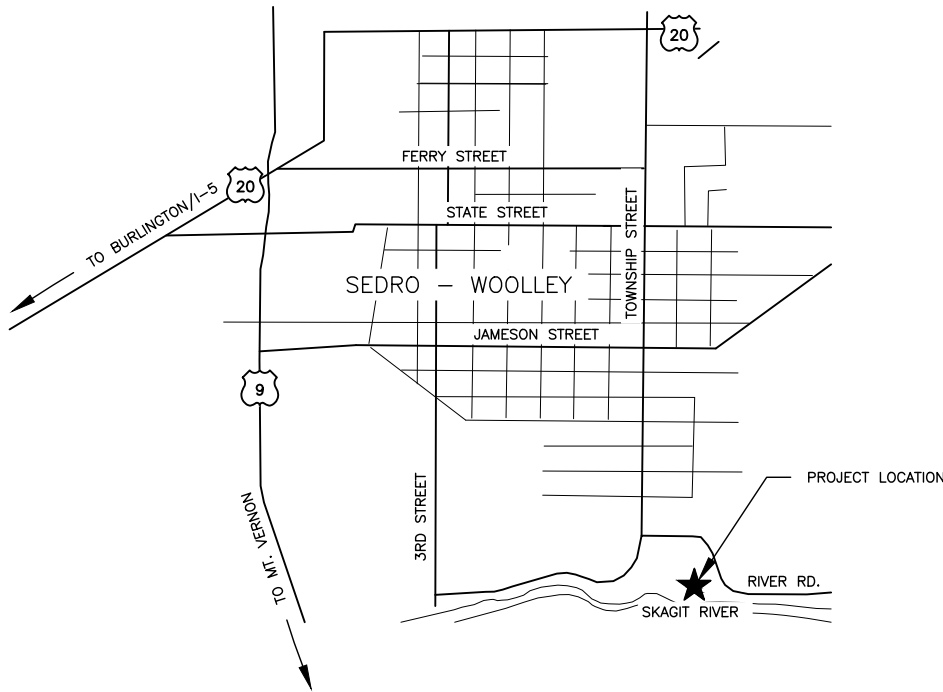




PROJECT LOCATION



STATE MAP
NOT TO SCALE



VICINITY MAP
NOT TO SCALE

DIRECTIONS

FROM I-5 NORTH TAKE EXIT 230 FOR WA-20 TOWARD BURLINGTON/ANACORTES/SKAGIT ARPT.
CONTINUE 0.2 MI. TURN LEFT ONTO S BURLINGTON BLVD
CONTINUE 0.4 MI. TURN RIGHT ONTO STATE RT 20 E/AVON AVE
CONTINUE 4 MI. TURN RIGHT ONTO RHODES RD.
CONTINUE 0.8 MI AT TRAFFIC CIRCLE, CONTINUE STRAIGHT ONTO JAMISON ST
CONTINUE 1 MI. TURN RIGHT ONTO TOWNSHIP RD.
TURN LEFT ONTO RIVER RD.

ENG. PROJECT NO. ST:A531:2022-1

PORTION OF SEC 30, T35N, R05E

DRAWN BY: S. SPARKS

REFERENCE NUMBER:

PROJECT LOCATION (ADDRESS):

PROPOSED PROJECT:

APPLICANT:

RIVER FRONT BOAT ACCESS
901 RIVER ROAD
SEDRO-WOOLEY

**SEDRO-WOOLEY ACCESS
PLANK REPLACEMENT**

WASHINGTON DEPT. of FISH & WILDLIFE
600 CAPITOL WAY N.
OLYMPIA, WA 98501-1091

IN: SKAGIT RIVER

ADJACENT PROPERTY OWNER:

LAT/LONG: 48°29'24" / -122°13'15"

NEAR/AT: SEDRO-WOOLEY

1. CITY OF SEDRO-WOOLEY

DATUM: NAVD'88

COUNTY: SKAGIT

2. CITY OF SEDRO-WOOLEY

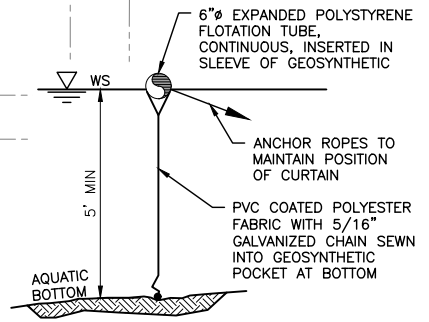
SHEET 1 OF 5 DATE: 02/22/2023

STATE: WA

FOR WDFW
REVIEW ONLY

LEGEND

- BOULDERS
- FOUND OR SET CONTROL POINT AS NOTED
- SIGN
- FENCE AS NOTED
- EDGE OF GRAVEL
- ORDINARY HIGH WATER
- EDGE OF PAVEMENT
- DECIDUOUS TREE W/SIZE

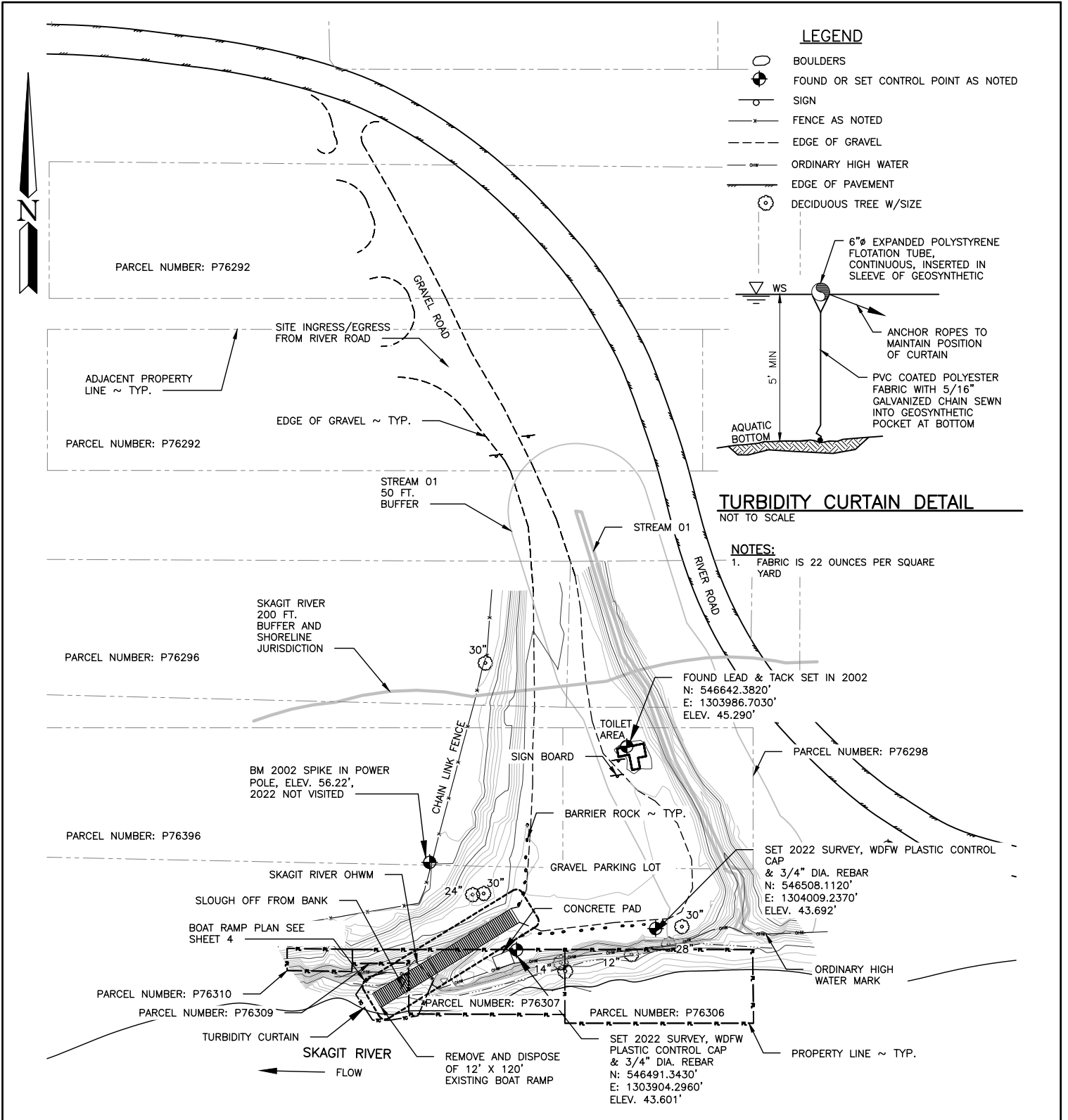


TURBIDITY CURTAIN DETAIL

NOT TO SCALE

NOTES:

1. FABRIC IS 22 OUNCES PER SQUARE YARD



EXISTING, DEMO AND EROSION CONTROL SITE PLAN

SCALE: 1" = 100'

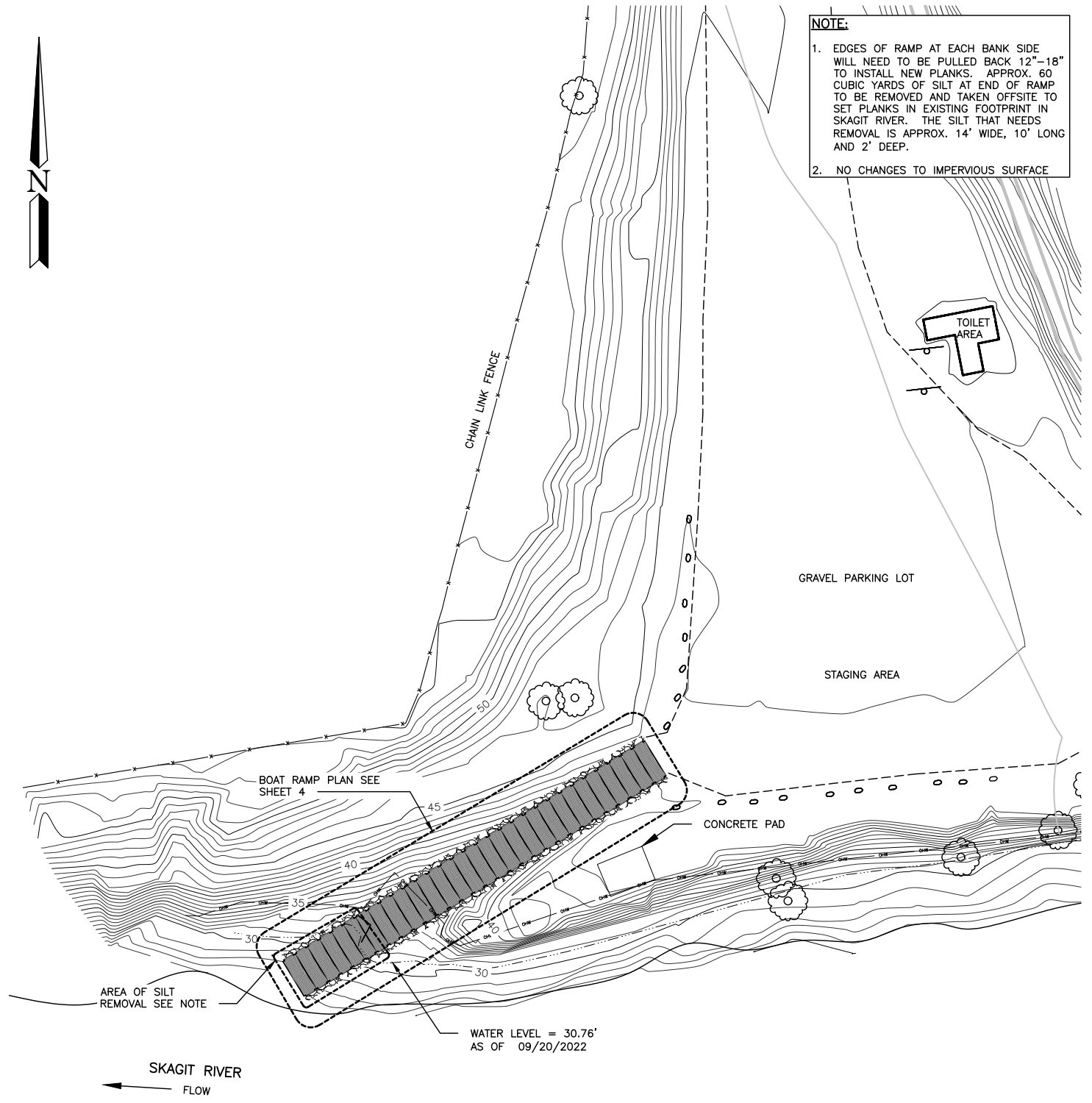
*FOR WDFW
REVIEW ONLY*

REFERENCE NUMBER:
 APPLICANT NAME:
 WASHINGTON DEPT. of FISH & WILDLIFE
 PROPOSED PROJECT:
 PLANK REPLACEMENT
 LOCATION: SEDRO-WOLLEY ACCESS
 SHEET 2 OF 5 DATE: 02/22/2023



NOTE:

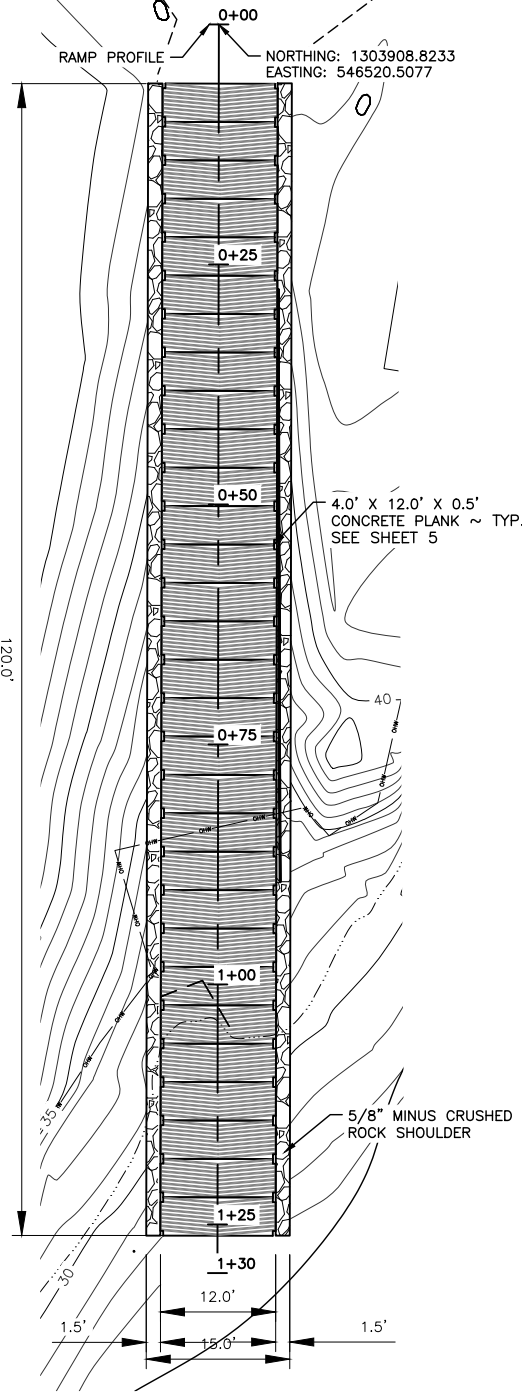
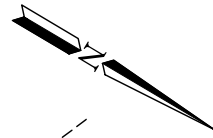
1. EDGES OF RAMP AT EACH BANK SIDE WILL NEED TO BE PULLED BACK 12"-18" TO INSTALL NEW PLANKS. APPROX. 60 CUBIC YARDS OF SILT AT END OF RAMP TO BE REMOVED AND TAKEN OFFSITE TO SET PLANKS IN EXISTING FOOTPRINT IN SKAGIT RIVER. THE SILT THAT NEEDS REMOVAL IS APPROX. 14' WIDE, 10' LONG AND 2' DEEP.
2. NO CHANGES TO IMPERVIOUS SURFACE



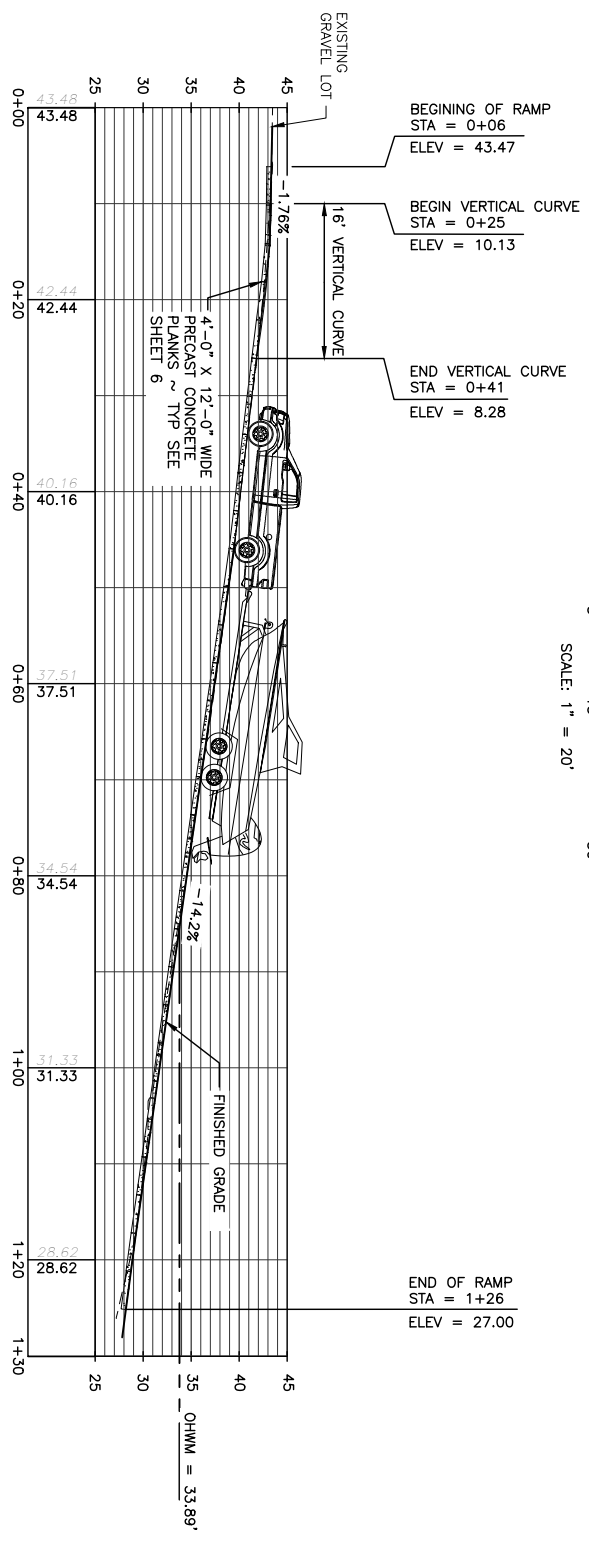
PROPOSED SITE PLAN
SCALE: 1" = 40'

FOR WDFW
REVIEW ONLY

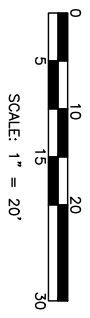
REFERENCE NUMBER:
 APPLICANT NAME:
 WASHINGTON DEPT. of FISH & WILDLIFE
 PROPOSED PROJECT:
 PLANK REPLACEMENT
 LOCATION: SEDRO-WOOLLEY ACCESS
 SHEET 3 OF 5 DATE: 02/22/2023



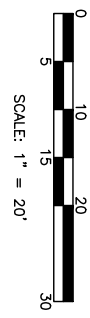
REFERENCE NUMBER:
 APPLICANT NAME:
 WASHINGTON DEPT. of FISH & WILDLIFE
 PROPOSED PROJECT:
 PLANK REPLACEMENT
 LOCATION: SEDRO-WOLLEY ACCESS
 SHEET 4 OF 5 DATE: 02/22/2023



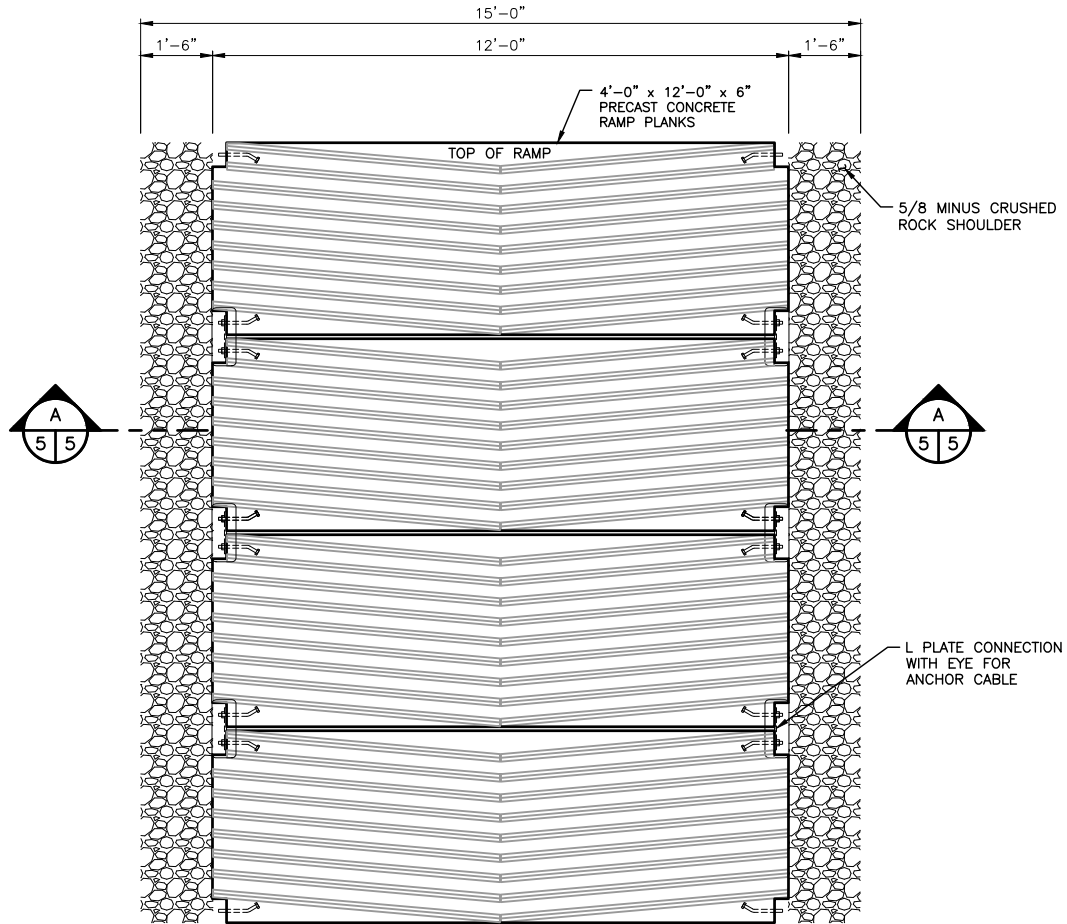
BOAT RAMP PROFILE



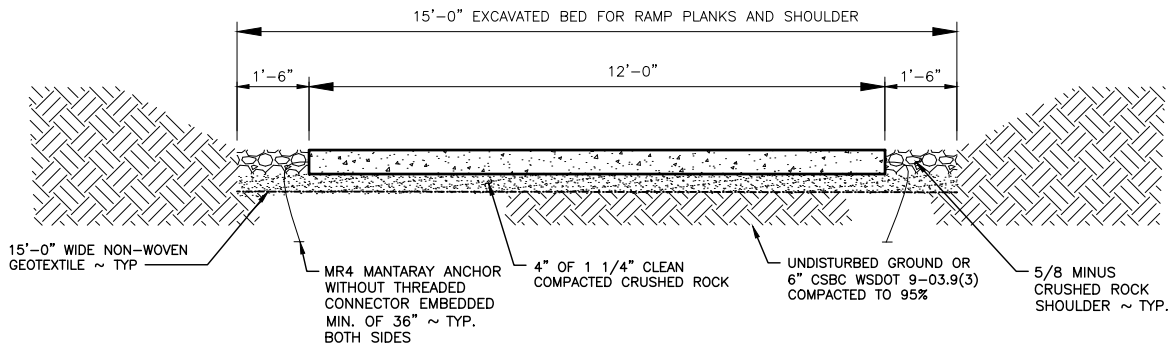
BOAT RAMP PLAN



FOR WDFW
REVIEW ONLY



RAMP PLANK PLAN
SCALE: 1/4" = 1'-0"



RAMP PLANK SECTION
NOT TO SCALE

FOR WDFW
REVIEW ONLY

REFERENCE NUMBER:
APPLICANT NAME:
WASHINGTON DEPT. of FISH & WILDLIFE
PROPOSED PROJECT:
PLANK REPLACEMENT
LOCATION: SEDRO-WOOLLEY ACCESS
SHEET 5 OF 5 DATE: 02/22/2023