



WASHINGTON DEPARTMENT OF
FISH AND WILDLIFE

KLICKITAT WLA – SIMCOE MOUNTAINS UNIT
BOUNDARY/INTERIOR FENCE
KT:R204:2021-1

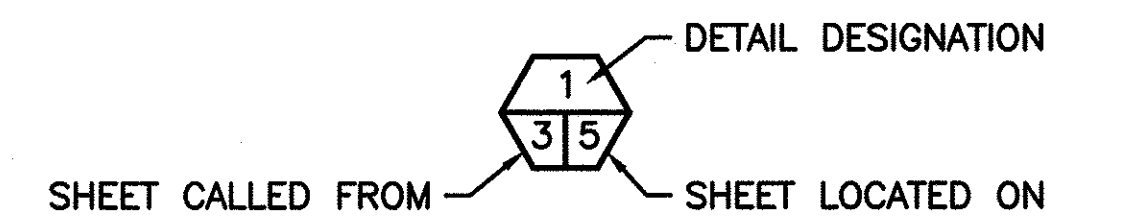
SHEET INDEX

#	Sheet Title
1	COVER SHEET
2	LOCAL, STATE AND VICINITY MAP
3	SITE PLAN
4	ENLARGED PLAN
5	LINE FENCE, HOLD DOWN AND BRACE
6	GATE DETAILS
7	ALTERNATE FENCE DETAILS
8	CATTLE GUARD
9	HORSE GATE

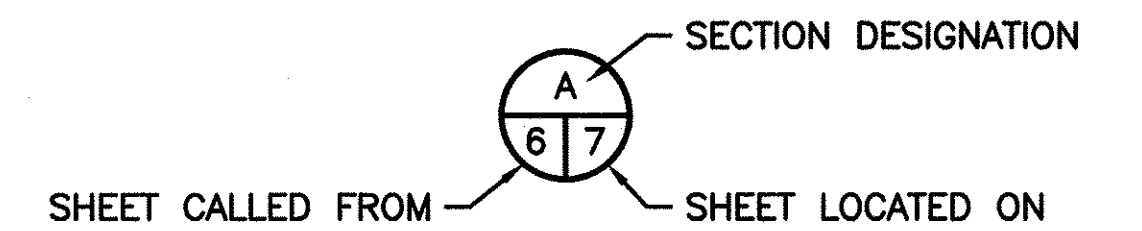
ABBREVIATIONS

ALUM	-	ALUMINUM
L	-	ANGLE
APPROX	-	APPROXIMATELY
BM	-	BENCH MARK
CL	-	CENTERLINE
CMP	-	CORRUGATED METAL PIPE
CLR	-	CLEARANCE
CONC	-	CONCRETE
CSBC	-	CRUSHED SURFACE BASE COURSE
CSTC	-	CRUSHED SURFACE TOP COURSE
DIA	-	DIAMETER
ELEV	-	ELEVATION
FB	-	FLAT BAR
FTG	-	FOOTING
GALV	-	GALVANIZED
ID	-	INSIDE DIAMETER
IE	-	INVERT ELEVATION
MFG	-	MANUFACTURER'S
MISC	-	MISCELLANEOUS
OC	-	ON CENTER
OD	-	OUTSIDE DIAMETER
PL	-	PLATE
REQ'D	-	REQUIRED
SEC	-	SECTION
SPEC'S	-	PROJECT SPECIFICATIONS
SS	-	STAINLESS STEEL
TYP	-	TYPICAL
WS	-	WATER SURFACE

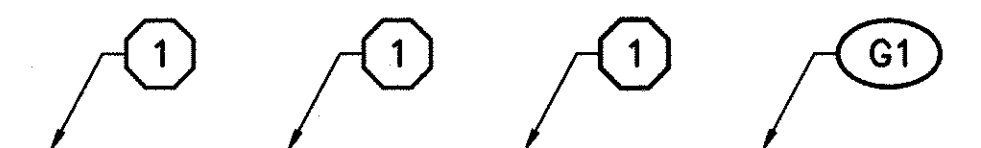
SHEET SYMBOLS



DETAIL



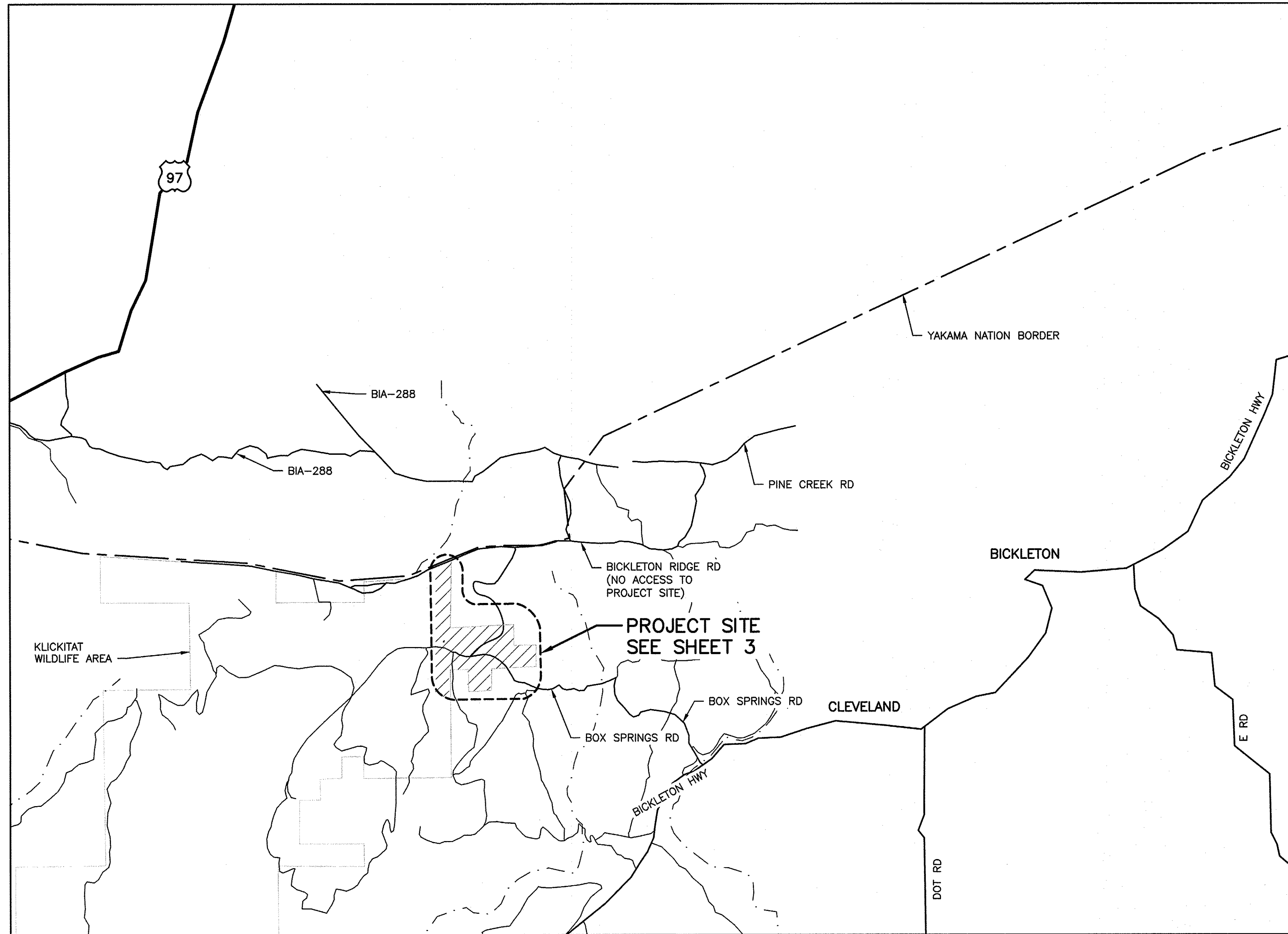
SECTION



NOTE REFERENCE

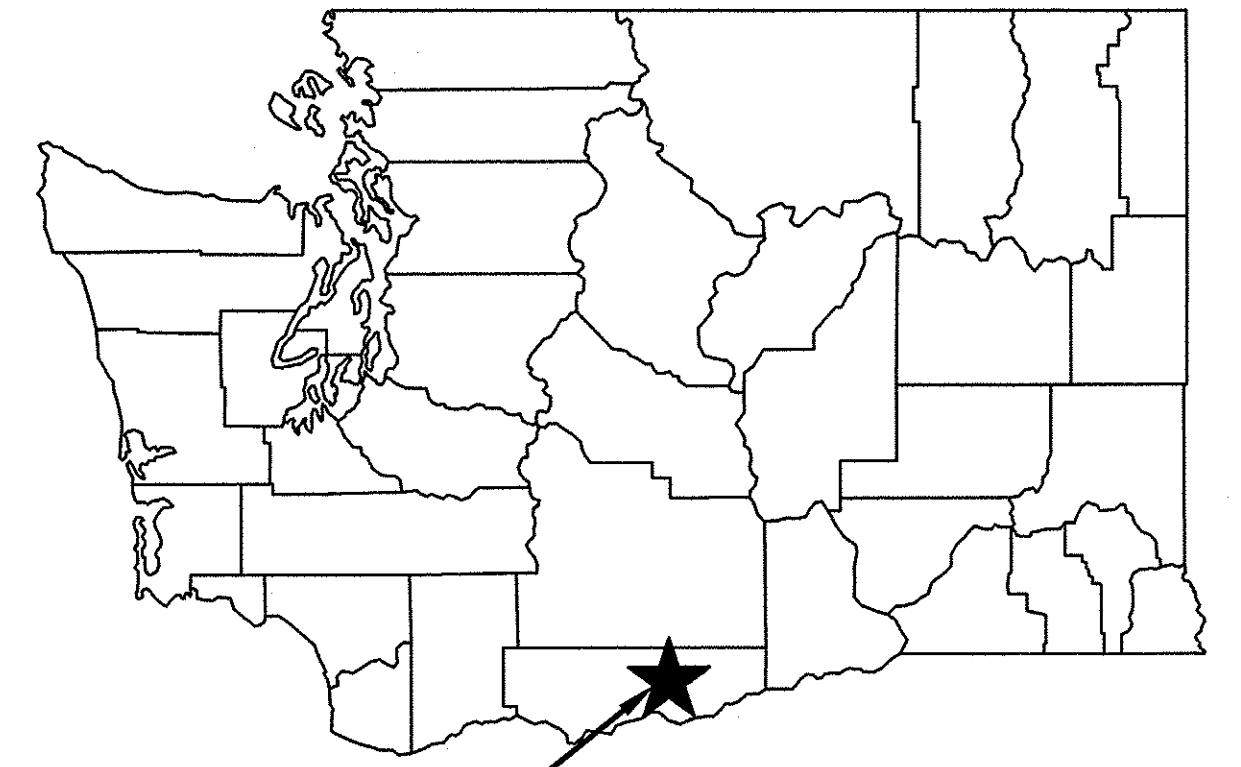
REFERENCE DESIGNATION TO A NOTE, A PART, OR MATERIAL IN A SCHEDULE/TABLE

PROJECT NO. KT:R204:2021-1	
SHEET 1	OF 9

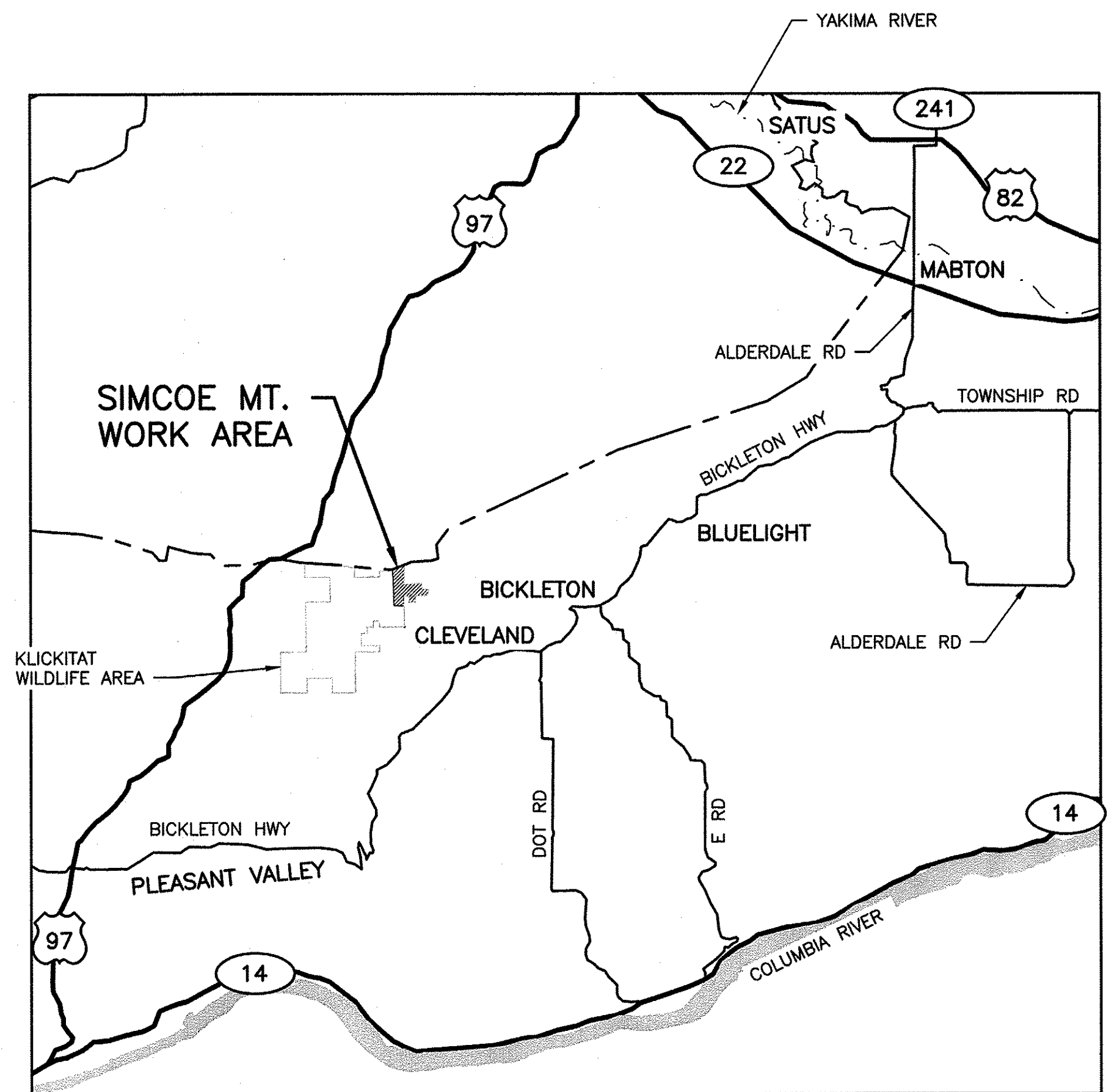


T. 6 N., R. 18 E., SECTIONS 24 & 25
 T. 6 N., R. 19 E., SECTIONS 19 & 30

LOCAL MAP
 NOT TO SCALE



SIMCOE MT. WORK AREAS
STATE MAP
 NOT TO SCALE

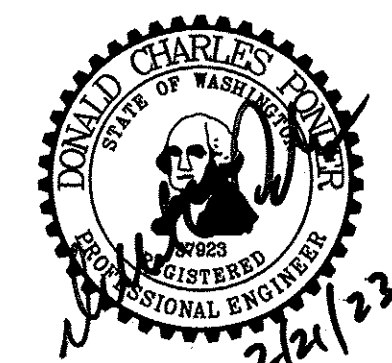


VICINITY MAP
 NOT TO SCALE

DRIVING DIRECTIONS FROM GOLDENDALE:
 FOLLOW BICKLETON HIGHWAY EAST FOR 27 MILES
 TURN LEFT ONTO BOX SPRING RD.
 CONTINUE ON BOX SPRING RD. FOR APPROX. 3 MILES TO SIMCOE MOUNTAINS WLA



WASHINGTON DEPARTMENT OF
FISH & WILDLIFE

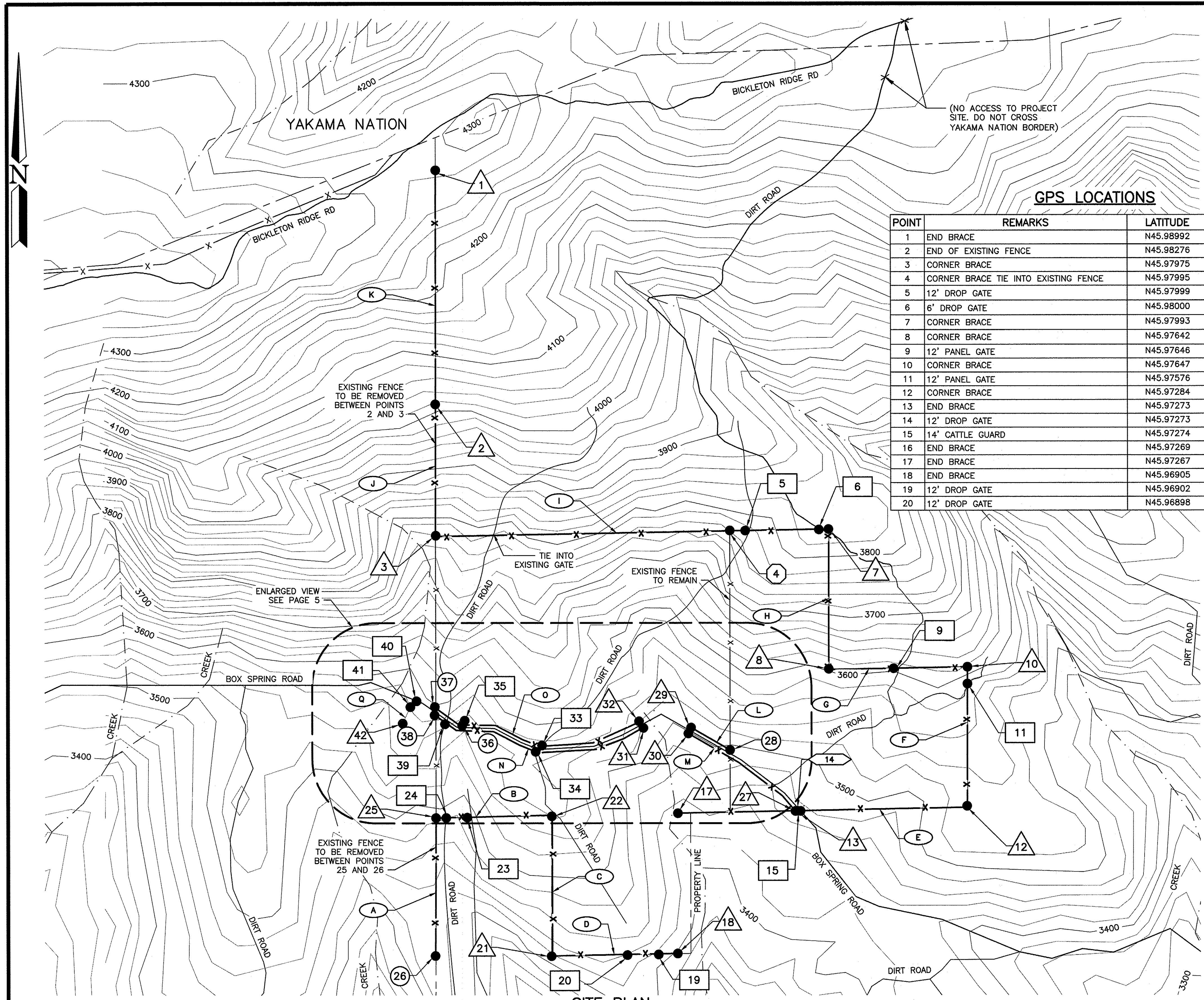


SYM	DATE	REVISION DESCRIPTION	BY
APPROVED AND RELEASED FOR CONSTRUCTION			
CHIEF ENGINEER	DATE:
PROGRAM	DATE:

DESIGNED BY R. MOSBERGER
 CHECKED BY N. WHITE
 DRAWN BY S. SPARKS
 DATE 02/17/2023

KLICKITAT WLA – SIMCOE MOUNTAINS UNIT
BOUNDARY/INTERIOR FENCE
 LOCAL, STATE AND VICINITY MAP

PROJECT NO. KT:R204:2021-1	
SHEET 2	OF 9



NOTE:

1. PRIMARY FENCE IS APPROXIMATELY 4.71 MILES:
 - 1 - HORSE GATE
 - 1 - EXISTING FENCE CROSSINGS
 - 2 - FENCE CONNECTIONS
 - 3 - PANEL GATES
 - 17 - END OR CORNER POST
 - 1 - CATTLE GUARD
 - 10 - DROP GATES
- CONSTRUCT FENCE ALONG SURVEYED PROPERTY LINES

POINT	REMARKS	LATITUDE	LONGITUDE
1	END BRACE	N45.98992	W-120.48989
2	END OF EXISTING FENCE	N45.98276	W-120.48988
3	CORNER BRACE	N45.97975	W-120.48996
4	CORNER BRACE TIE INTO EXISTING FENCE	N45.97995	W-120.48197
5	12' DROP GATE	N45.97999	W-120.47942
6	6' DROP GATE	N45.98000	W-120.47813
7	CORNER BRACE	N45.97993	W-120.47530
8	CORNER BRACE	N45.97642	W-120.47521
9	12' PANEL GATE	N45.97646	W-120.47275
10	CORNER BRACE	N45.97647	W-120.47004
11	12' PANEL GATE	N45.97576	W-120.47015
12	CORNER BRACE	N45.97284	W-120.47014
13	END BRACE	N45.97273	W-120.47730
14	12' DROP GATE	N45.97273	W-120.47730
15	14' CATTLE GUARD	N45.97274	W-120.47746
16	END BRACE	N45.97269	W-120.47776
17	END BRACE	N45.97267	W-120.47994
18	END BRACE	N45.96905	W-120.47985
19	12' DROP GATE	N45.96902	W-120.48043
20	12' DROP GATE	N45.96898	W-120.48285

21	CORNER BRACE	N45.96891	W-120.48565
22	CORNER BRACE	N45.97256	W-120.48559
23	12' DROP GATE	N45.97255	W-120.48889
24	12' DROP GATE	N45.97255	W-120.48950
25	CORNER BRACE	N45.97255	W-120.48987
26	END BRACE TIE INTO EXISTING FENCE	N45.96890	W-120.48989
27	END BRACE TIE INTO EXISTING FENCE	N45.97272	W-120.47724
28	END BRACE TIE INTO EXISTING FENCE	N45.97430	W-120.47967
29	END BRACE	N45.97488	W-120.48112
30	END BRACE	N45.97473	W-120.48122
31	END BRACE	N45.97487	W-120.48293
32	END BRACE	N45.97502	W-120.48306
33	12' DROP GATE	N45.97439	W-120.48669
34	12' DROP GATE	N45.97426	W-120.48689
35	12' PANEL GATE	N45.97498	W-120.48959
36	NOT USED		
37	END BRACE TIE INTO EXISTING FENCE	N45.97537	W-120.49063
38	END BRACE TIE INTO EXISTING FENCE	N45.97517	W-120.49063
39	12' DROP GATE	N45.97495	W-120.49026
40	EXISTING STEEL GATE	N45.97558	W-120.49136
41	HORSE GATE	N45.97543	W-120.49158
42	END BRACE	N45.97500	W-120.49187

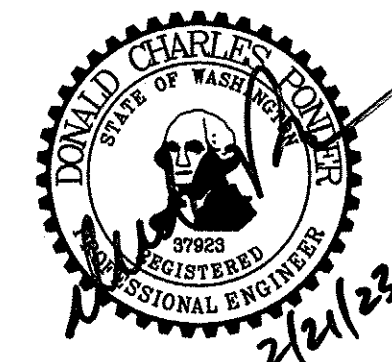
LEGEND

- MINOR CONTOUR
- MAJOR CONTOUR
- DIRT ROAD
- CREEK/STREAM
- YAKIMA NATION BORDER
- PROPOSED FENCE
- EXISTING FENCE
- DENOTES GATE ON PLAN
- END OR CORNER
- EXISTING FENCE CROSSING
- CONNECTION TO EXISTING FENCE
- LINE SEGMENT
- CATTLE GUARD

SITE 1 SEGMENTS

SEGMENT	DISTANCES
A	1,298± LF
B	1,100± LF
C	1,322± LF
D	1,186± LF
E	2,747± LF
F	1,314± LF
G	1,313± LF
H	1,320± LF
I	3,723± LF
J	1,250± LF
K	2,212± LF
L	425± LF
M	1,256± LF
N	2,089± LF
O	2,058± LF
P	NOT USED
Q	253± LF

WASHINGTON DEPARTMENT OF
FISH & WILDLIFE



SYM	DATE	REVISION DESCRIPTION	BY
APPROVED AND RELEASED FOR CONSTRUCTION			
CHIEF ENGINEER	DATE:	DESIGNED BY R. MOSBERGER	CHECKED BY N. WHITE
PROGRAM	DATE:	DRAWN BY S. SPARKS	DATE 02/17/2023

KLICKITAT WLA - SIMCOE MOUNTAINS UNIT
BOUNDARY/INTERIOR FENCE
SITE PLAN

PROJECT NO.
KT:R204:2021-1
SHEET **3** OF **9**

SITE 1 GPS LOCATIONS

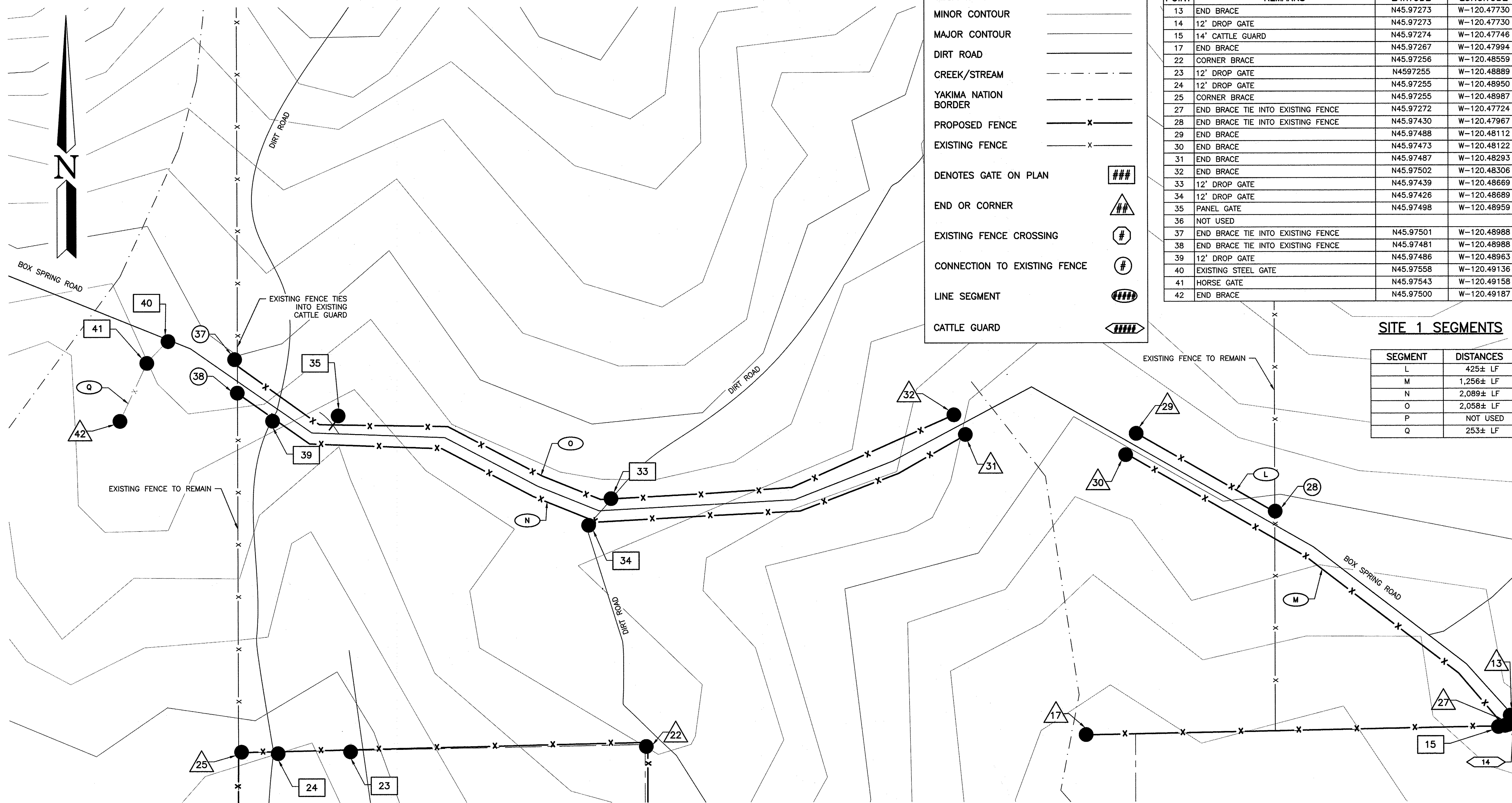
POINT	REMARKS	LATITUDE	LONGITUDE
13	END BRACE	N45.97273	W-120.47730
14	12' DROP GATE	N45.97273	W-120.47730
15	14' CATTLE GUARD	N45.97274	W-120.47746
17	END BRACE	N45.97267	W-120.47994
22	CORNER BRACE	N45.97256	W-120.48559
23	12' DROP GATE	N45.97255	W-120.48889
24	12' DROP GATE	N45.97255	W-120.48950
25	CORNER BRACE	N45.97255	W-120.48987
27	END BRACE TIE INTO EXISTING FENCE	N45.97272	W-120.47724
28	END BRACE TIE INTO EXISTING FENCE	N45.97430	W-120.47967
29	END BRACE	N45.97488	W-120.48112
30	END BRACE	N45.97473	W-120.48122
31	END BRACE	N45.97487	W-120.48293
32	END BRACE	N45.97502	W-120.48306
33	12' DROP GATE	N45.97439	W-120.48669
34	12' DROP GATE	N45.97426	W-120.48689
35	PANEL GATE	N45.97498	W-120.48959
36	NOT USED		
37	END BRACE TIE INTO EXISTING FENCE	N45.97501	W-120.48988
38	END BRACE TIE INTO EXISTING FENCE	N45.97481	W-120.48988
39	12' DROP GATE	N45.97486	W-120.48963
40	EXISTING STEEL GATE	N45.97558	W-120.49136
41	HORSE GATE	N45.97543	W-120.49158
42	END BRACE	N45.97500	W-120.49187

LEGEND

MINOR CONTOUR	—
MAJOR CONTOUR	—
DIRT ROAD	—
CREEK/STREAM	- - -
YAKIMA NATION BORDER	- - -
PROPOSED FENCE	— x —
EXISTING FENCE	— x —
DENOTES GATE ON PLAN	###
END OR CORNER	▲
EXISTING FENCE CROSSING	#
CONNECTION TO EXISTING FENCE	#
LINE SEGMENT	####
CATTLE GUARD	#####

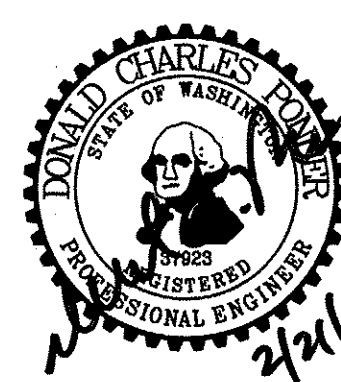
SITE 1 SEGMENTS

SEGMENT	DISTANCES
L	425± LF
M	1,256± LF
N	2,089± LF
O	2,058± LF
P	NOT USED
Q	253± LF



ENLARGED SITE PLAN
NOT TO SCALE

WASHINGTON DEPARTMENT OF
FISH & WILDLIFE



SYM	DATE	REVISION DESCRIPTION	BY
		APPROVED AND RELEASED FOR CONSTRUCTION	
CHIEF ENGINEER	DATE:	DESIGNED BY R. MOSBERGER	CHECKED BY N. WHITE
PROGRAM	DATE:	DRAWN BY S. SPARKS	DATE 02/17/2023

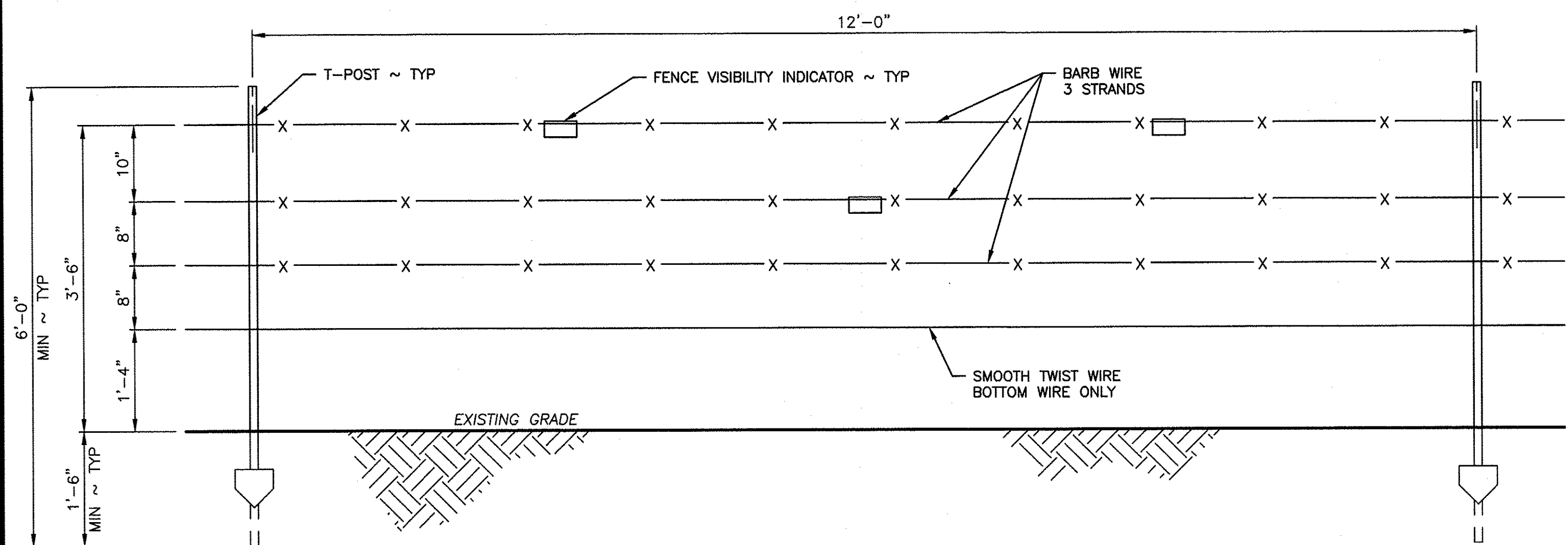
Klickitat - WLA SIMCOE MOUNTAINS UNIT

BOUNDARY/INTERIOR FENCE

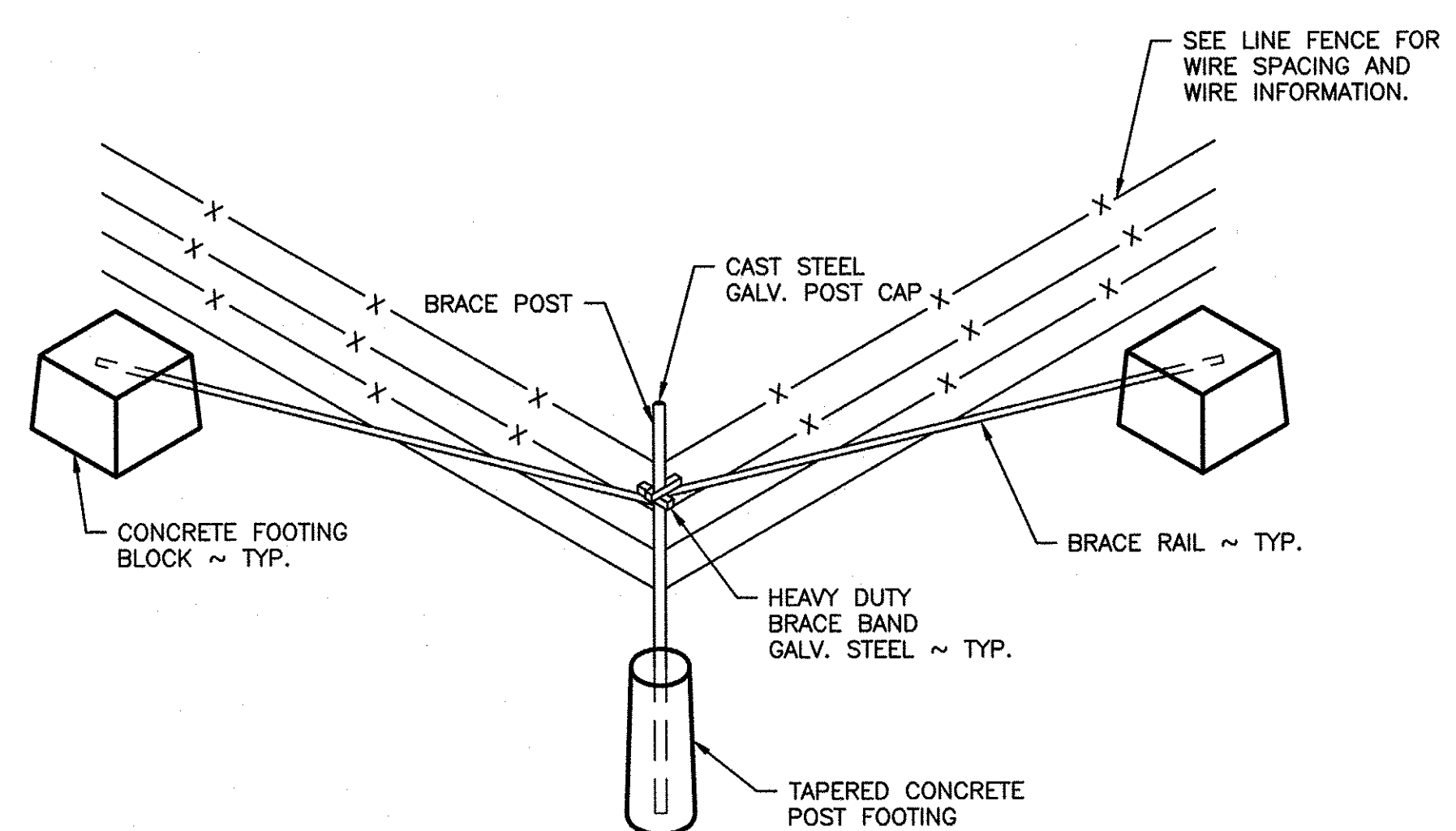
ENLARGED SITE PLAN

PROJECT NO.
KT:R204:2021-1

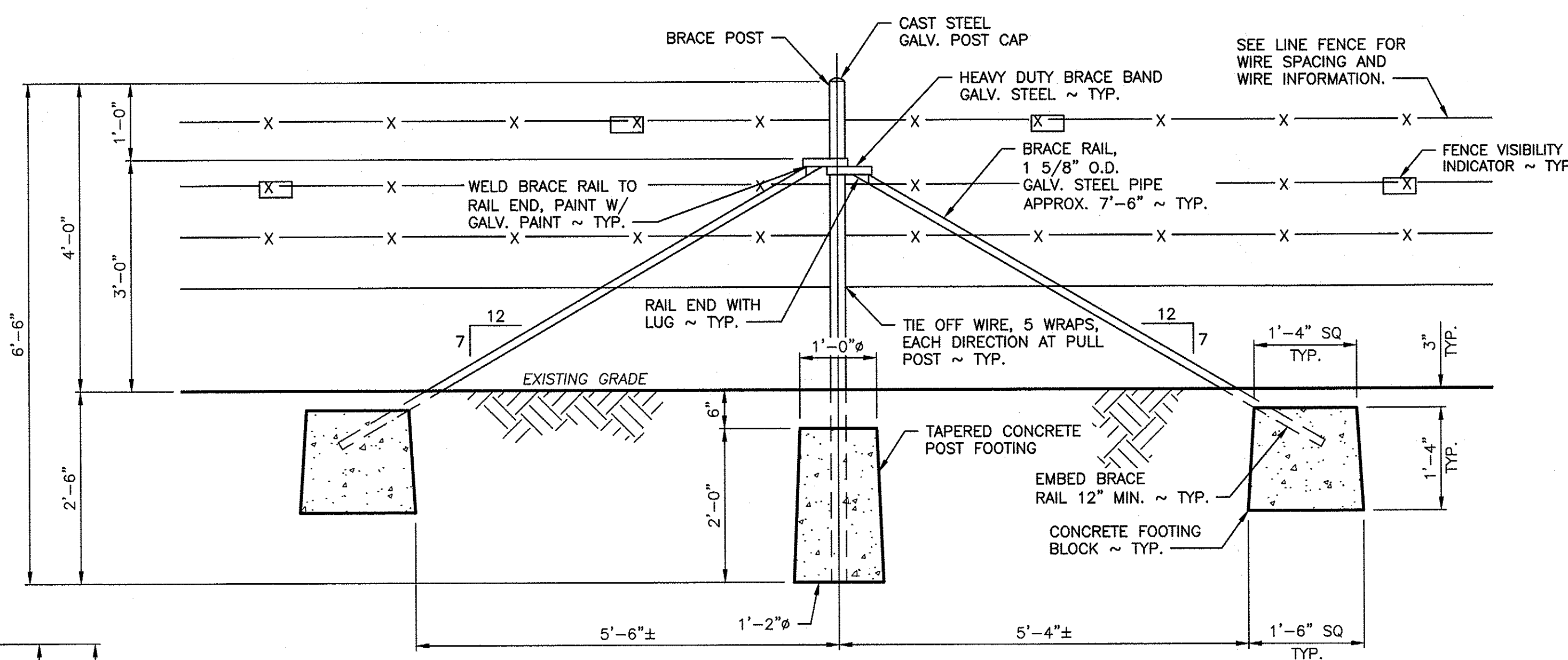
SHEET OF
4 9



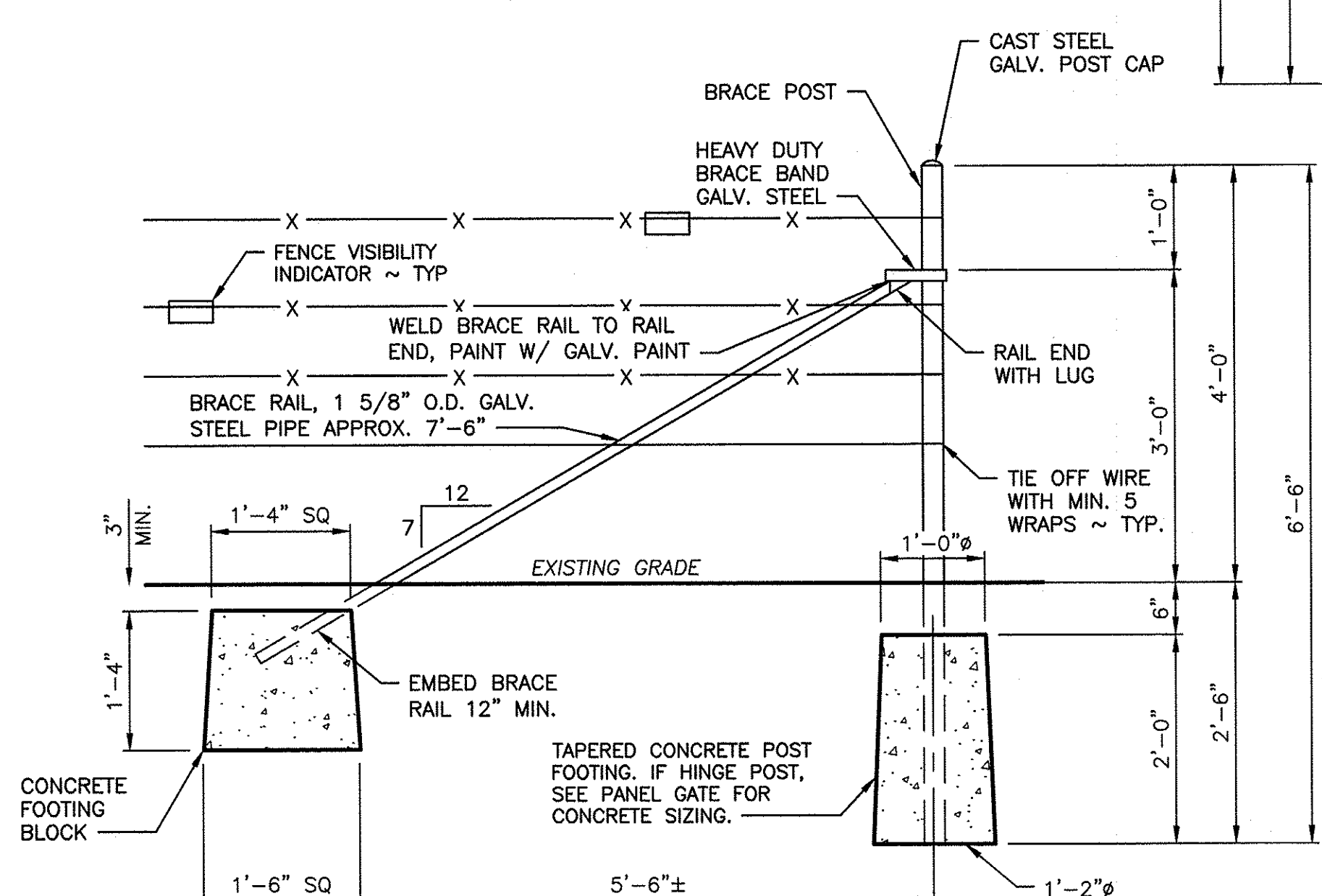
LINE FENCE
SCALE: 3/4" = 1'-0"



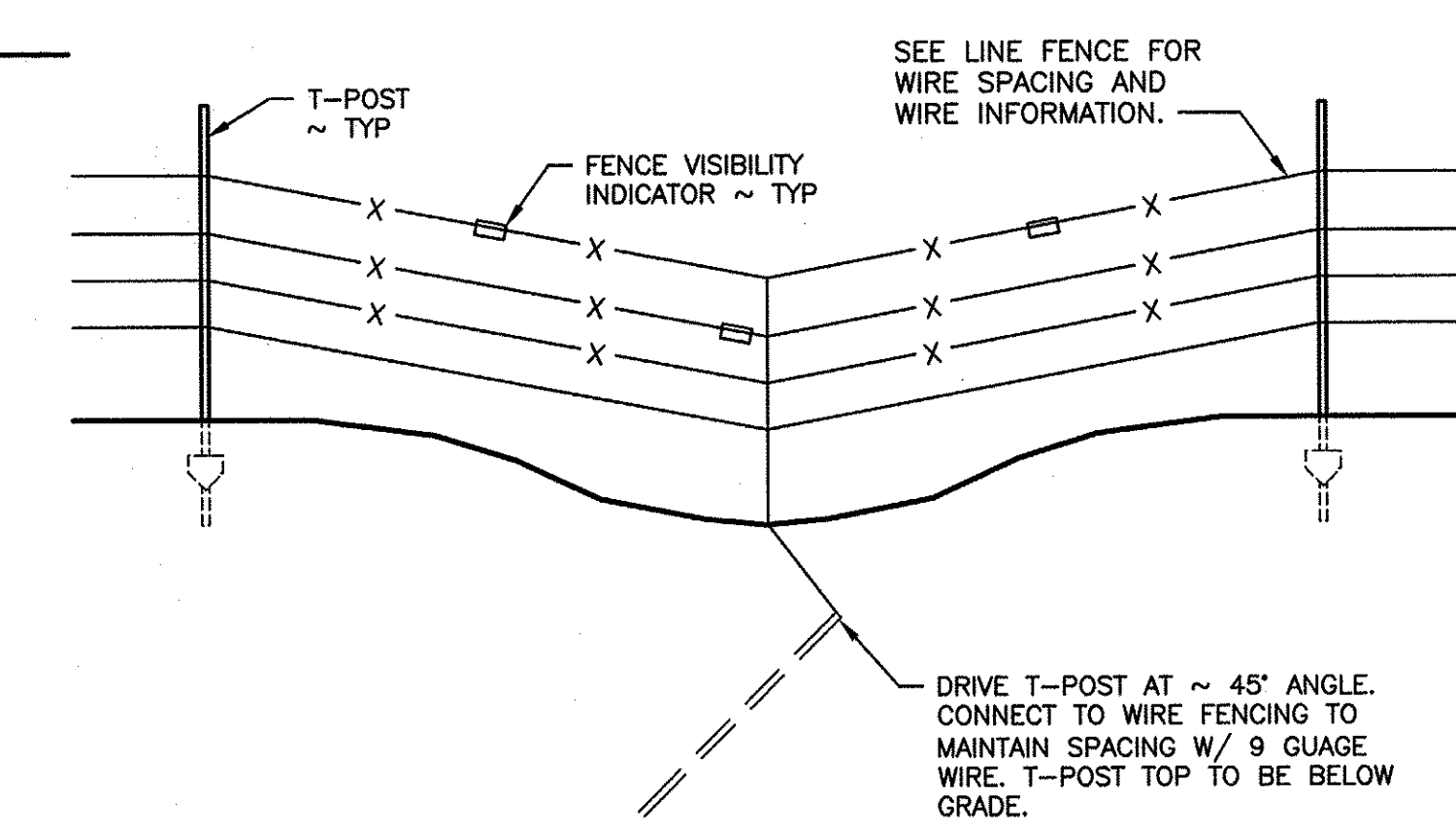
CORNER BRACE
NOT TO SCALE



CORNER OR STRETCH BRACE



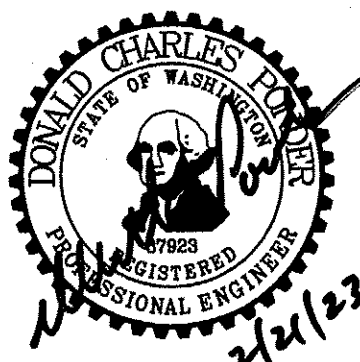
END OR GATE BRACE
SCALE: 3/4" = 1'-0"



HOLD DOWN
NOT TO SCALE

- GENERAL NOTES:**
- A. ALL VERTICAL STEEL BRACE AND HINGE POSTS SHALL HAVE A GALVANIZED METAL POST CAP.
 - B. IF DEPTH CANNOT BE REACHED DUE TO GROUND CONDITION USE ALTERNATE METHOD APPROVED BY ENGINEER.
- LINE FENCE:**
1. ALL T-POSTS SHALL NOT EXCEED 12 FEET OF SPACING.
 2. WIRE CLAMPS TO ATTACH BARBED WIRE TO STEEL POSTS SHALL BE 11 GA. GALVANIZED WIRE.
- HOLD DOWN:**
3. WIRE CLAMPS TO ATTACH BARBED WIRE TO STEEL POSTS SHALL BE 11 GA. GALVANIZED WIRE.
- CORNER OR STRETCH BRACE:**
4. BRACE POSTS SHALL BE AT LEAST 6 FEET 6 INCHES LONG X 2 3/8 INCHES IN DIAMETER, POSTS SHALL BE BURIED A MINIMUM DEPTH OF 33 INCHES.
 5. HEAVY DUTY BRACE BAND SHALL BE FIXED IN PLACE WITH ONE 0.27 CALIBER POWER ACTUATED NAIL OR 1/4 INCH SELF-TAPPING SCREW.
 6. THE DISTANCE BETWEEN STRETCH BRACES SHALL NOT EXCEED 1,320 FEET (1/4 MILE).
 7. INSTALL STRETCH BRACES AT CHANGES OF GRADE OF 10 DEGREES (1.75 FEET OF RISE OR DROP ON 10 FEET OF RUN) OR MORE.
 8. CHANGES IN ALIGNMENT OF 10 DEGREES OR MORE (1.75 FEET OF DIRECTION CHANGE IN 10 FEET OF RUN) SHALL BE CONSIDERED AS CORNERS, AND A CORNER BRACE STRUCTURE SHALL BE INSTALLED.
- END OR GATE BRACE:**
9. POSITION OF WIRE ON END POST SHALL BE FIXED IN PLACE WITH ONE 0.27 CALIBER POWER ACTUATED NAIL OR 1/4 INCH SELF-TAPPING SCREW.
 10. SEE CORNER OR STRETCH BRACE NOTES AND PANEL GATE DETAIL FOR MORE INFORMATION.

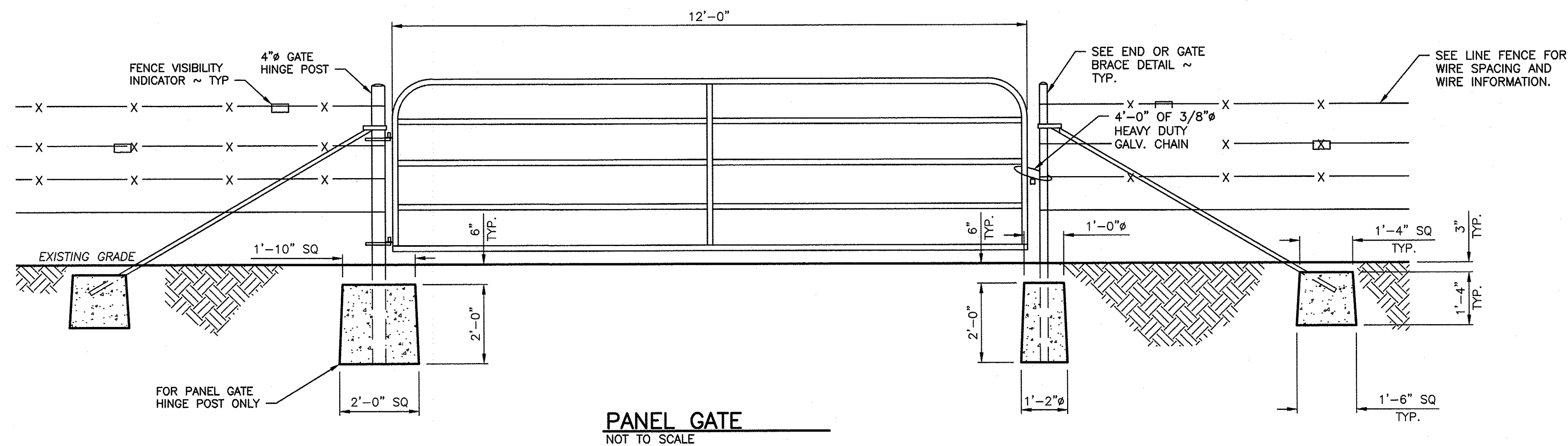
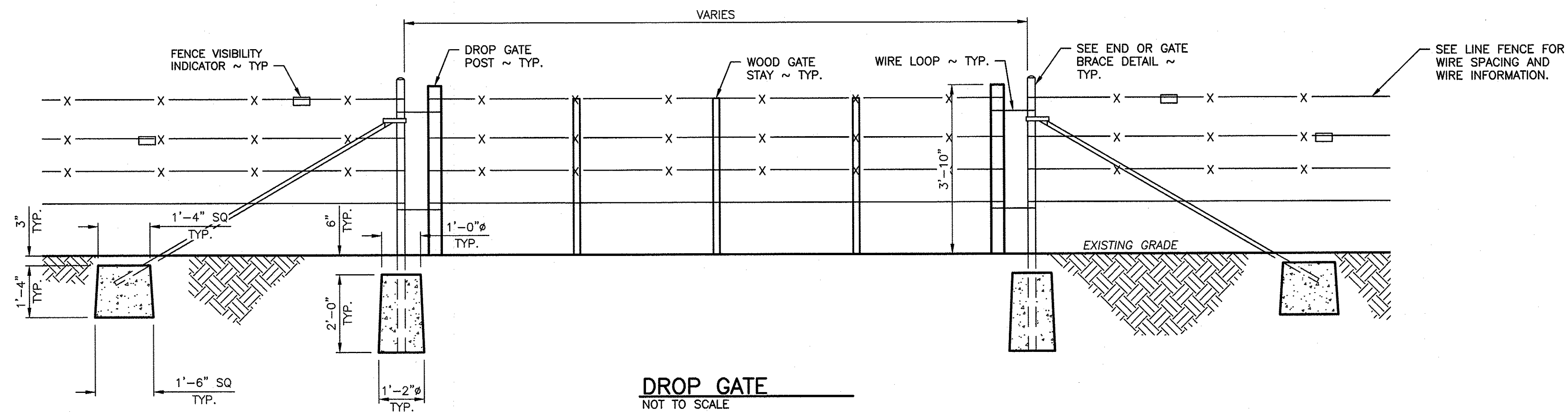
WASHINGTON DEPARTMENT OF
FISH & WILDLIFE



SYM	DATE	REVISION DESCRIPTION	BY
APPROVED AND RELEASED FOR CONSTRUCTION			
DESIGNED BY		R. MOSBERGER	
CHECKED BY		N. WHITE	
DRAWN BY		S. SPARKS	
DATE		02/17/2023	
CHIEF ENGINEER			
PROGRAM			

KLICKITAT WLA – SIMCOE MOUNTAINS UNIT
BOUNDARY/INTERIOR FENCE
LINE FENCE, HOLD DOWN, AND BRACE

PROJECT NO. KT:R204:2021-1	
SHEET 5	OF 9



NOTES:

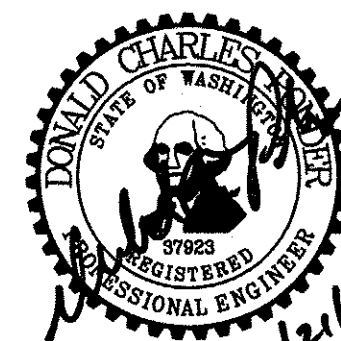
DROP GATE:

1. GATE SHALL HAVE THREE VERTICAL WOOD 48 X 2 X 2 PRESSURE TREATED STAYS AT 1/4 POINTS ALONG GATE. THE DROP POSTS LOCATED AT EACH END SHALL BE 3 TO 4 INCHES IN DIAMETER WOOD POSTS CUT TO A LENGTH OF 4 FEET 4 INCHES. LOOP HINGES AND LOOP CLOSURES CONSTRUCTED OF BRACE WIRE AND LOOPED AROUND END BRACE POSTS TO FACILITATE CLOSURE OF THE GATE.
2. SPACING OF THE LONGITUDINAL WIRES SHALL BE THE SAME AS THE LINE FENCE.

PANEL GATE:

3. HINGE POSTS SHALL BE AT LEAST 6 FEET 6 INCHES LONG X 4 INCHES DIAMETER AND BURIED TO A MINIMUM DEPTH OF 33 INCHES.
4. PANEL GATE MANUFACTURER, TYPE, AND SIZE AS SPECIFIED IN SPECIFICATION. INSTALLED PER MANUFACTURES SPECIFICATION.

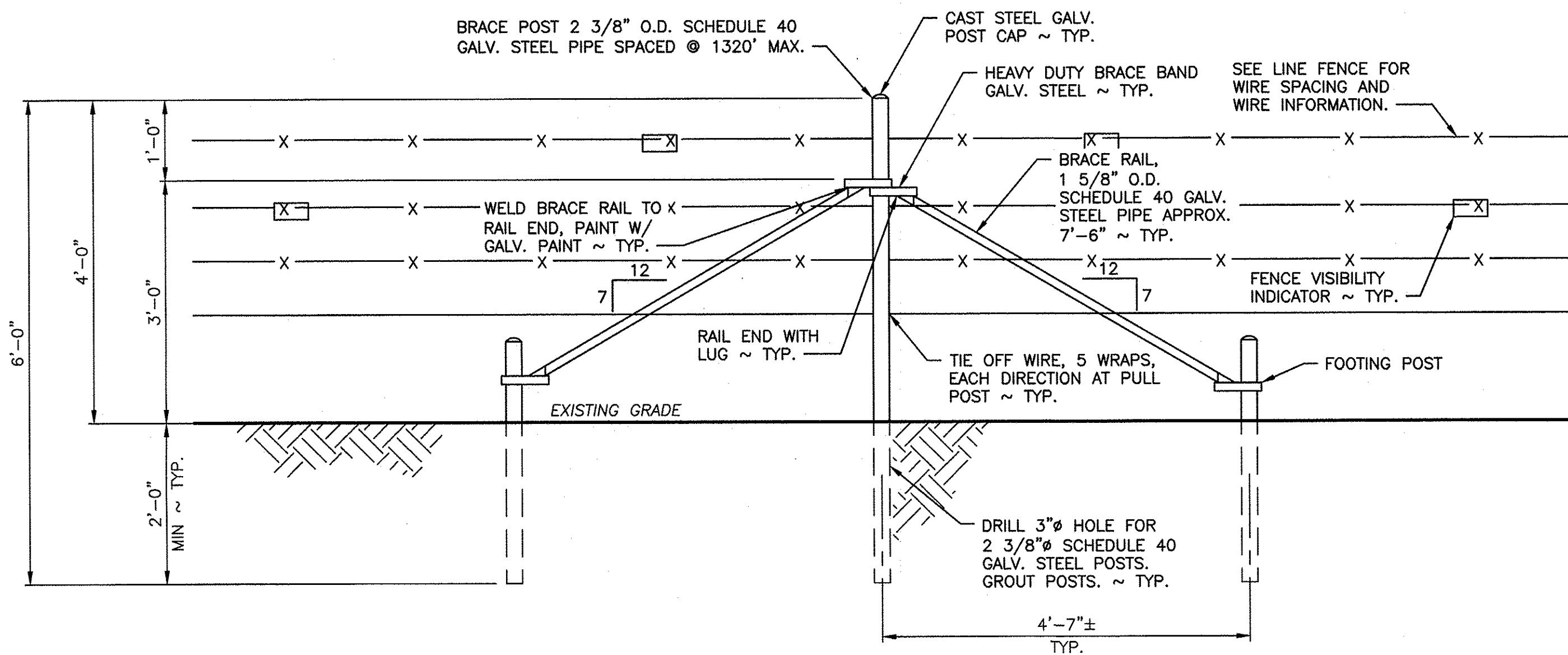
WASHINGTON DEPARTMENT OF
FISH & WILDLIFE



SYM	DATE	REVISION DESCRIPTION	BY
APPROVED AND RELEASED FOR CONSTRUCTION			
CHIEF ENGINEER	DATE:	DESIGNED BY R. MOSBERGER
PROGRAM	DATE:	CHECKED BY N. WHITE
			DRAWN BY S. SPARKS
			DATE 02/17/2023

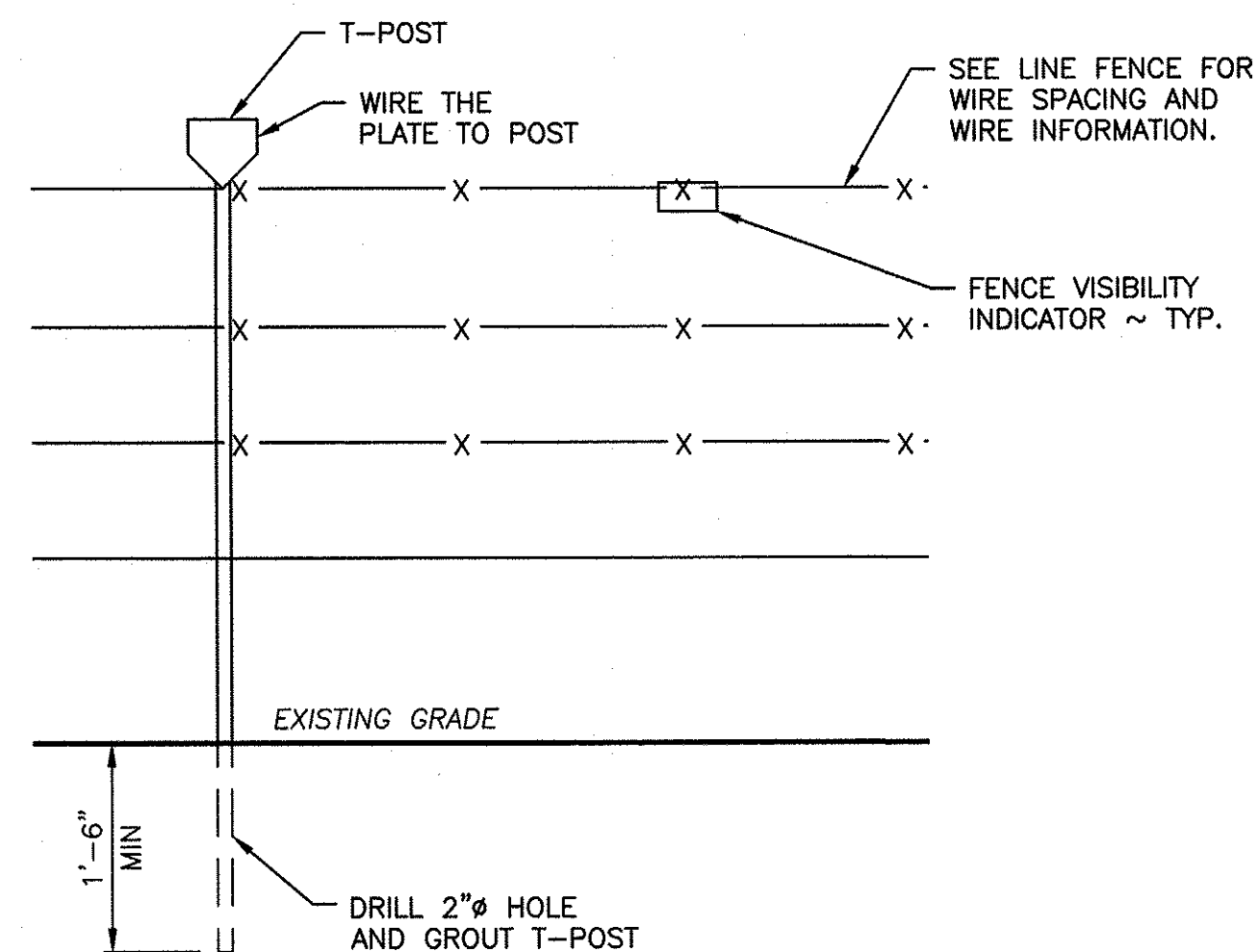
KLICKITAT WLA – SIMCOE MOUNTAINS UNIT
BOUNDARY/INTERIOR FENCE
GATE DETAILS

PROJECT NO.
KT:R204:2021-1
SHEET 6 OF 9



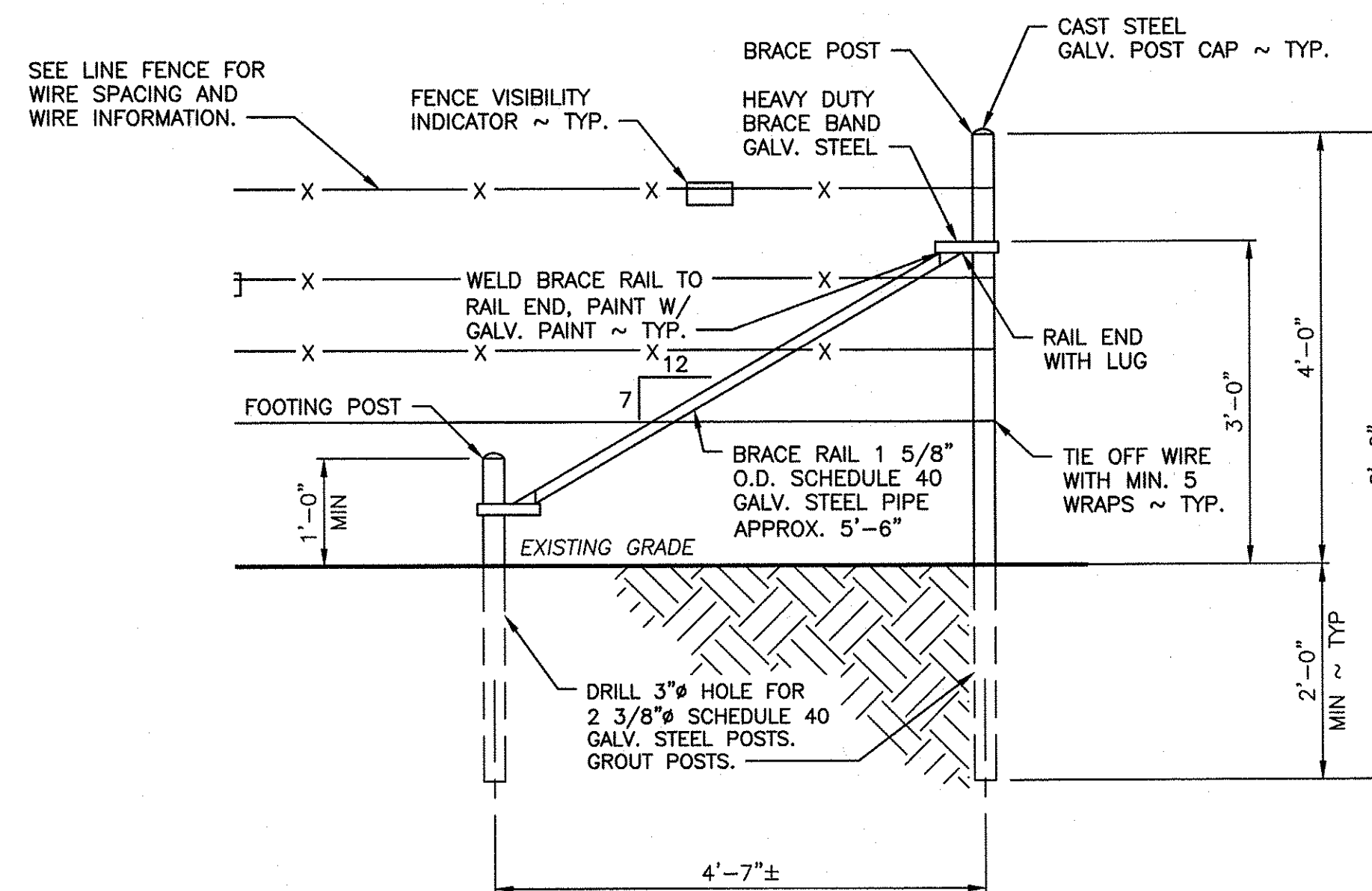
ALTERNATIVE CORNER OR STRETCH BRACE

SCALE: 3/4" = 1'-0"



ALTERNATE T-POST INSTALLATION

SCALE: 3/4" = 1'-0"



ALTERNATE END OR GATE BRACE

SCALE: 3/4" = 1'-0"

NOTES FOR ALTERNATE METHODS:

- A. ALTERNATE METHODS MAY BE USED WITH ENGINEERS APPROVAL.
- B. IF THE POST HOLE CANNOT BE DUG CONVENTIONALLY DUE TO BEDROCK, A 3 INCHES DIAMETER HOLE FOR THE BRACE POST SHALL BE DRILLED TO A DEPTH OF AT LEAST 24 INCHES INTO THE ROCK AND THE POST BE GROUTED WITH A THIN FLOWABLE GROUT (OR LARGER TO ACCOMMODATE HINGE POST). AN IDENTICAL HOLE FOR A FOOTING POST TO RECEIVE THE LOWER END OF THE BRACE RAIL SHALL ALSO BE DRILLED, AND 2 3/8 INCHES DIAMETER POST GROUTED IN. ALL VERTICAL METAL POSTS (BRACE AND FOOTING) SHALL HAVE A GALVANIZED METAL POST CAP.

ALTERNATE CORNER OR STRETCH BRACE:

- 1. BRACE POSTS SHALL BE AT LEAST 6 FEET LONG X 2 3/8 INCHES IN DIAMETER, POSTS SHALL BE BURIED A MINIMUM DEPTH OF 33 INCHES.
- 2. HEAVY DUTY BRACE BAND SHALL BE FIXED IN PLACE WITH ONE 0.27 CALIBER POWER ACTUATED NAIL OR 1/4 INCH SELF-TAPPING SCREW.
- 3. THE DISTANCE BETWEEN STRETCH BRACES SHALL NOT EXCEED 1,320 FEET (1/4 MILE).
- 4. INSTALL STRETCH BRACES AT CHANGES OF GRADE OF 10 DEGREES (1.75 FEET OF RISE OR DROP ON 10 FEET OF RUN) OR MORE.
- 5. CHANGES IN ALIGNMENT OF 10 DEGREES OR MORE (1.75 FEET OF DIRECTION CHANGE IN 10 FEET OF RUN) SHALL BE CONSIDERED AS CORNERS, AND A CORNER BRACE STRUCTURE SHALL BE INSTALLED.

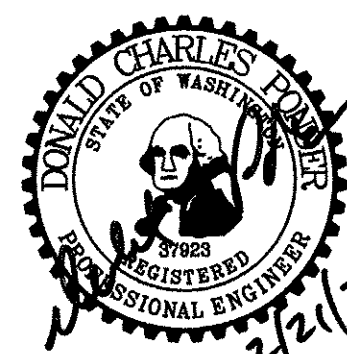
ALTERNATE T-POST INSTALLATION:

- 6. IF THE LINE POST DESIGN DEPTH CANNOT BE OBTAINED BY CONVENTIONAL DRIVING DUE TO EXISTING SOIL/ROCK CONDITIONS, THE POST HOLE SHALL BE DRILLED AND GROUTED WITH A THIN FLOWABLE GROUT.

ALTERNATE END OR GATE BRACE:

- 7. POSITION OF WIRE ON END POST SHALL BE FIXED IN PLACE WITH ONE 0.27 CALIBER POWER ACTUATED NAIL OR 1/4 INCH SELF-TAPPING SCREW.
- 8. SEE ALTERNATIVE CORNER OR STRETCH BRACE NOTES AND PANEL GATE DETAIL FOR MORE INFORMATION.
- 9. GATE HINGE POST SHALL BE 4 INCH DIAMETER SCHEDULE 40 GALVANIZED STEEL PIPE.

WASHINGTON DEPARTMENT OF
FISH & WILDLIFE



SYM	DATE	REVISION DESCRIPTION	BY
APPROVED AND RELEASED FOR CONSTRUCTION			
CHIEF ENGINEER	DATE:	DESIGNED BY R. MOSBERGER	CHECKED BY N. WHITE
PROGRAM	DATE:	DRAWN BY S. SPARKS	DATE 02/17/2023

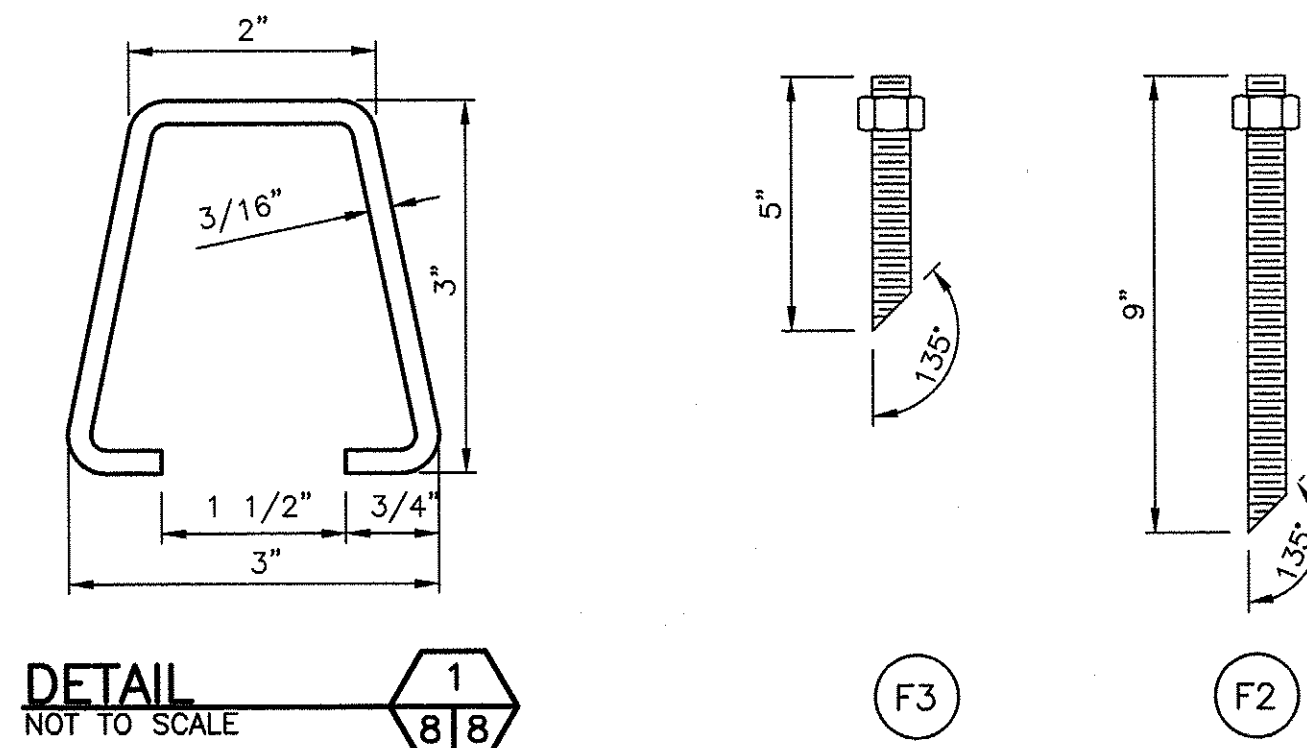
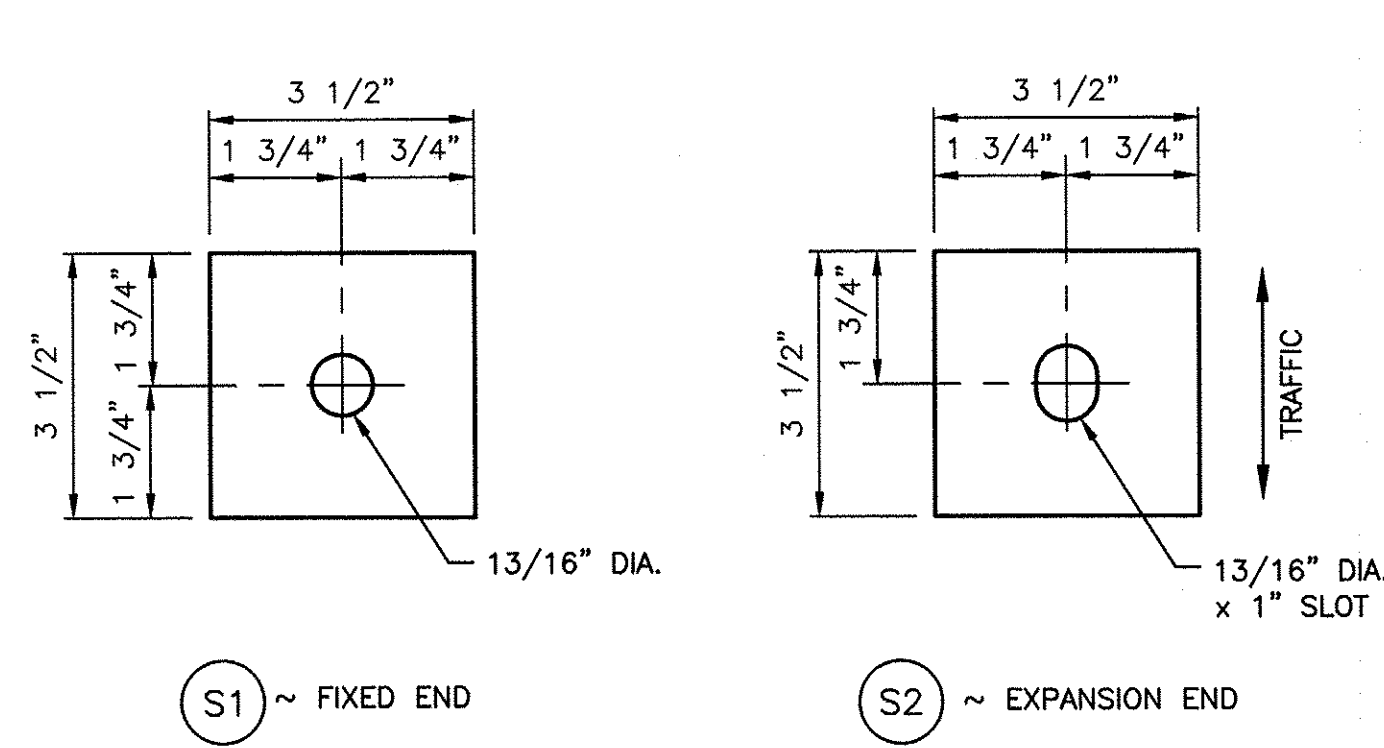
KLICKITAT WLA – SIMCOE MOUNTAINS UNIT

BOUNDARY/INTERIOR FENCE

ALTERNATE FENCE DETAILS

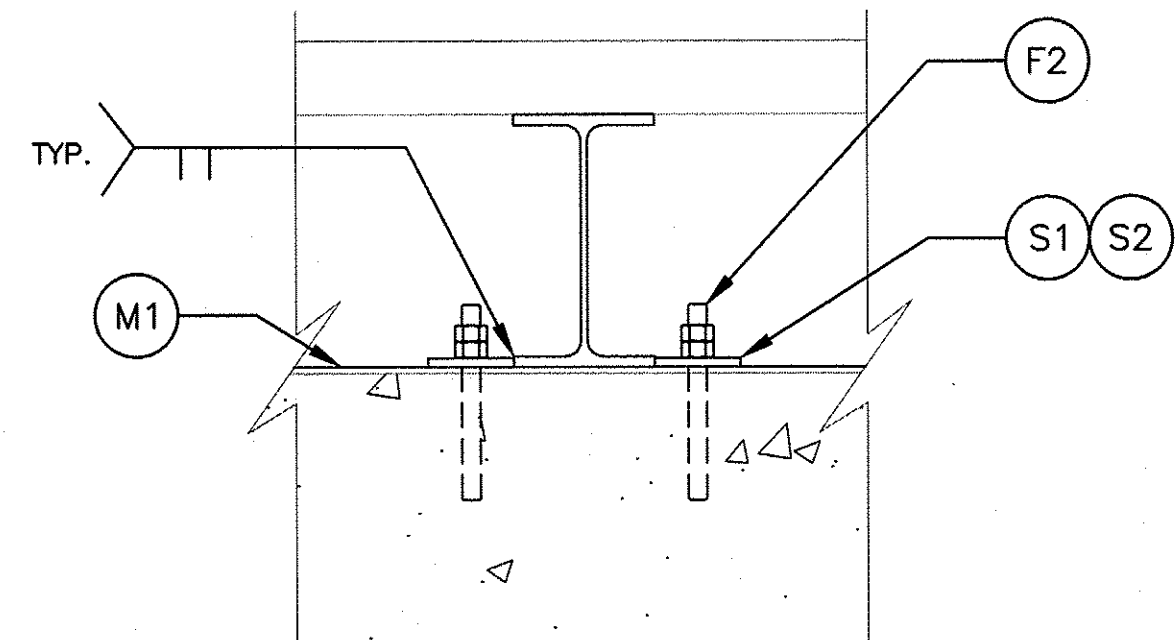
PROJECT NO.
KT:R204:2021-1

SHEET OF
7 9



NOTES:

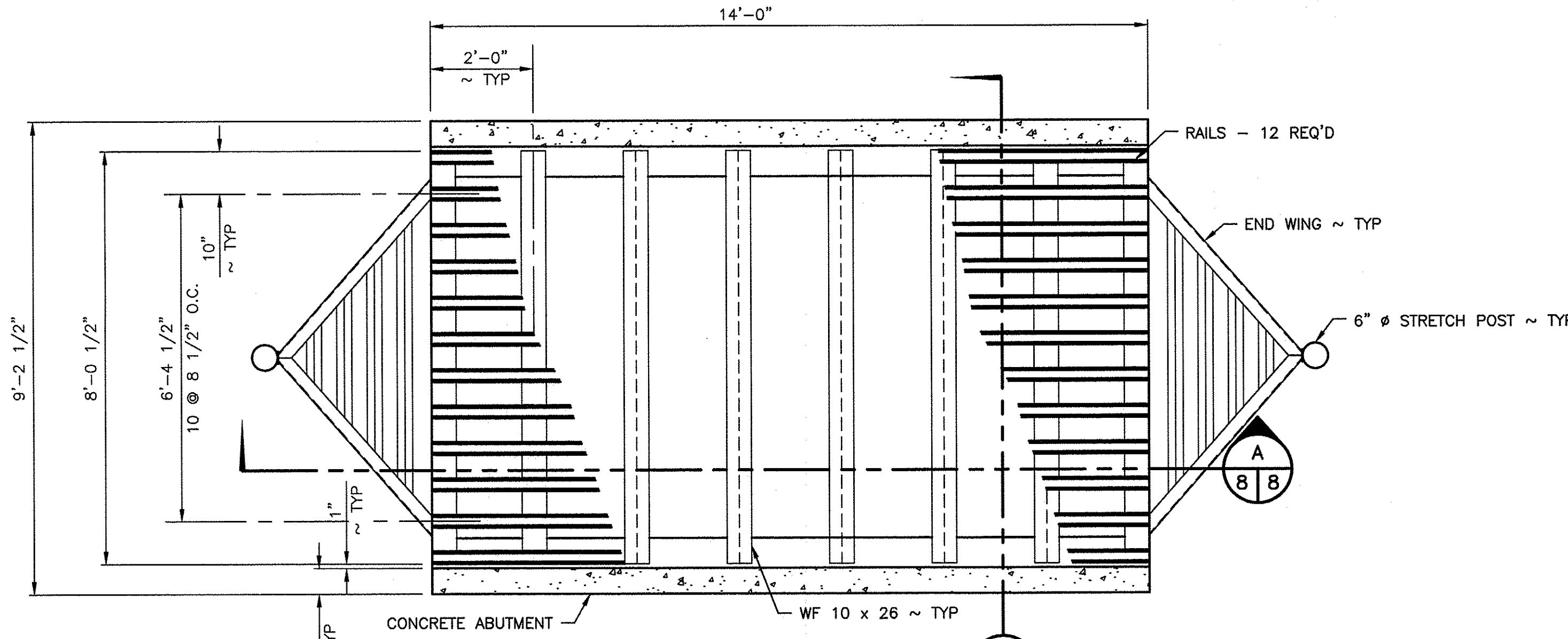
1. MATERIALS AND QUANTITIES LISTED FOR SINGLE ABUTMENT ONLY, ADDITIONAL MATERIALS REQUIRED.
2. ALL WELD ELECTRODES TO BE E70XX
3. ALL STEEL TO BE GALVANIZED AFTER FABRICATION



NOTES:

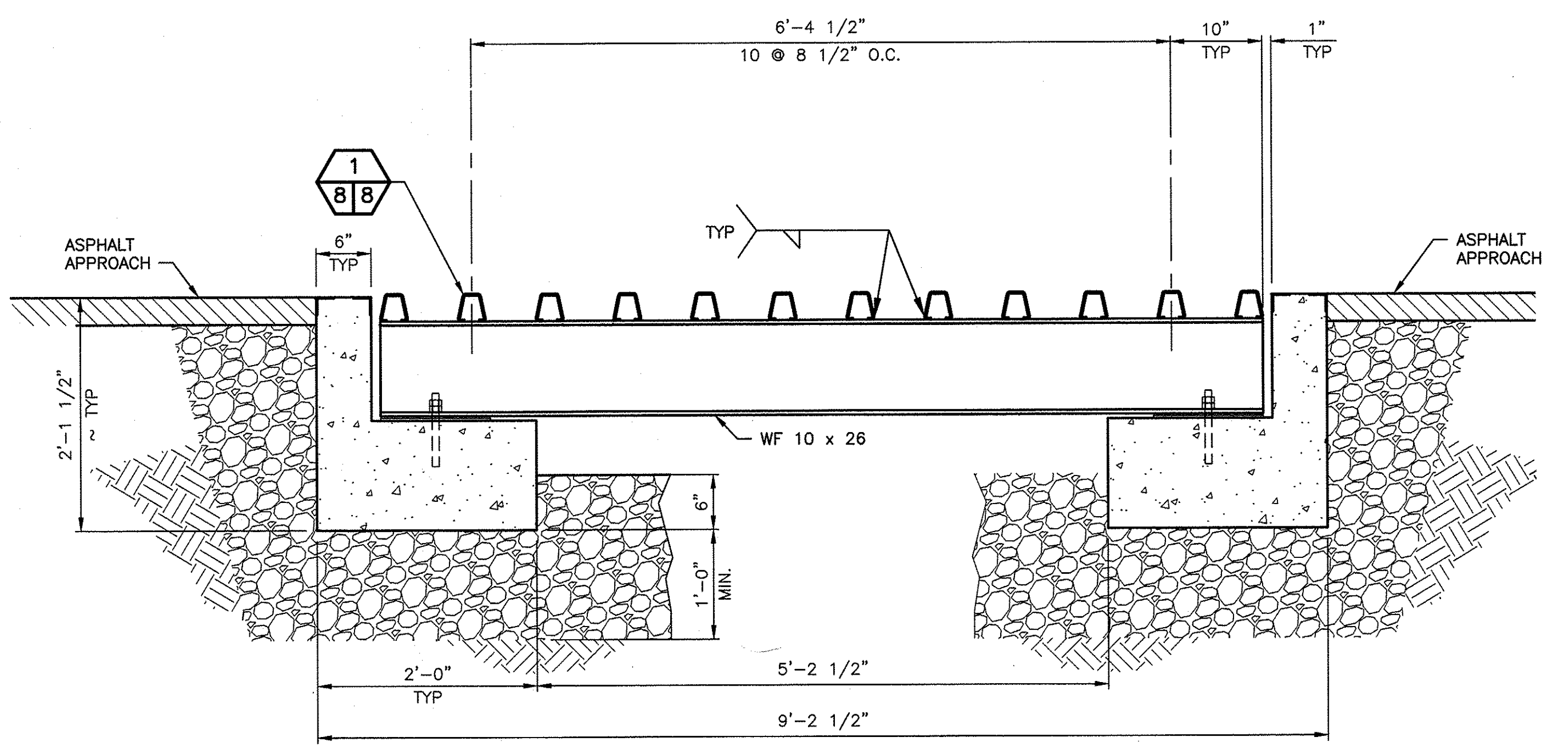
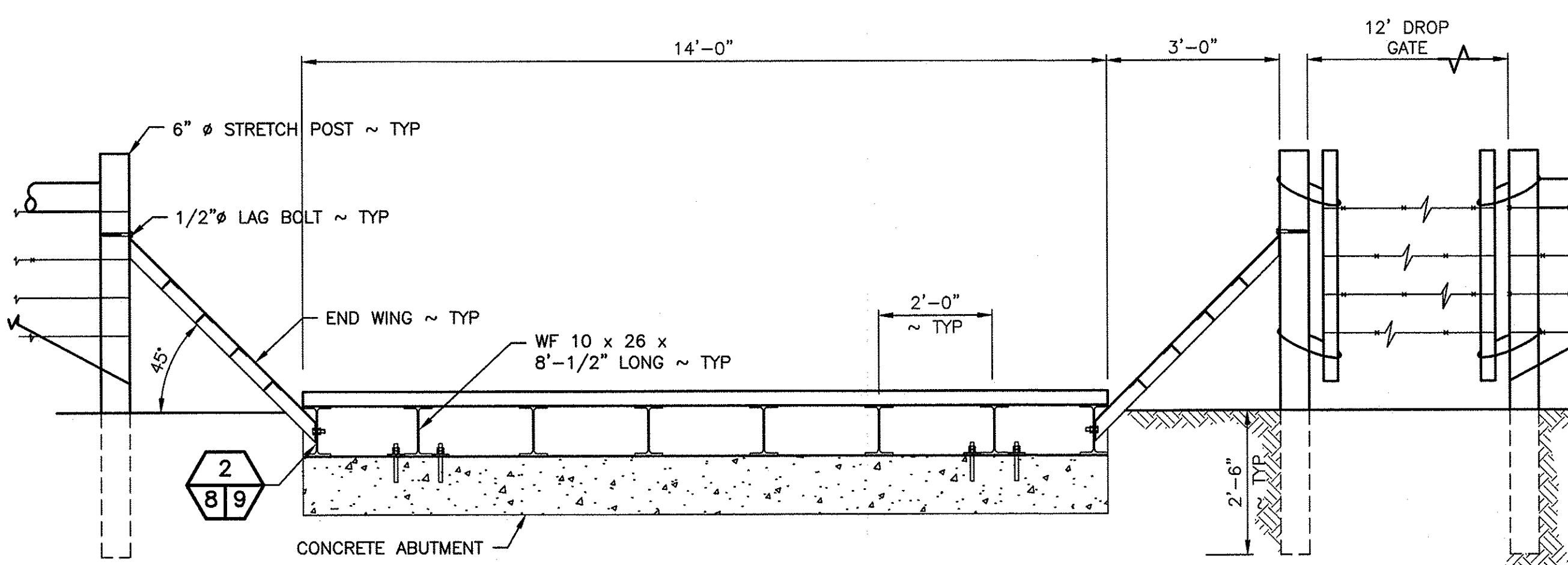
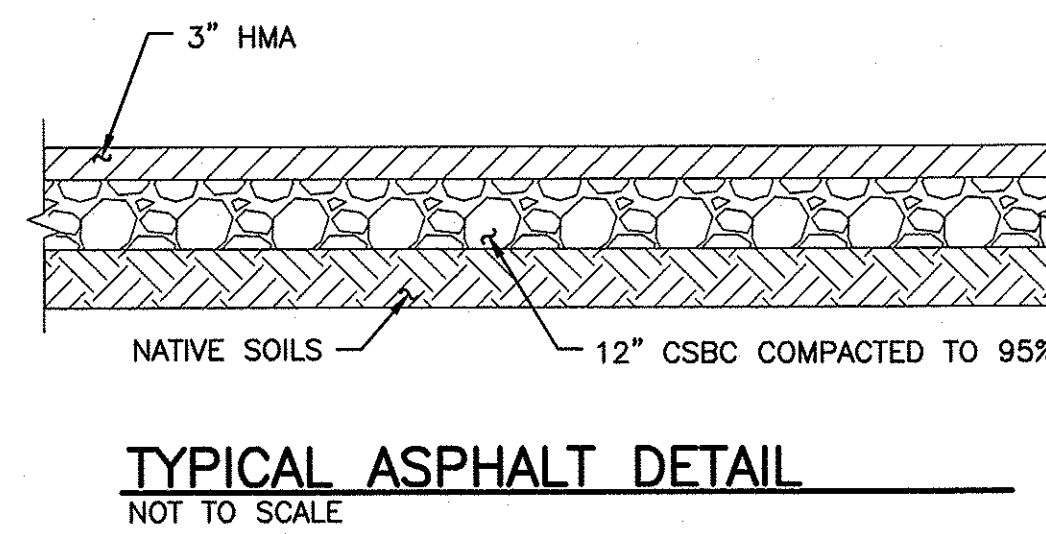
1. CATTLE GUARD TO BE BUILT TO HS20 SPECIFICATIONS. PRIOR TO CONSTRUCTION THE APPLICANT SHALL SUBMIT A CATALOG CUT OF THE MANUFACTURED GRATE MEETING HS20 SPECIFICATIONS TO KLICKITAT COUNTY PUBLIC WORKS FOR APPROVAL.
2. FOOTINGS AND WALLS SHALL BE CLASS 3000 CONCRETE AND INSPECTED BY THE COUNTY BEFORE POURING.
3. 50' APPROACH APRONS SHALL CONSIST OF 3 INCHES OF HOT MIX ASPHALT. BASE SHALL BE 12" OF CRUSHED SURFACING BASE COURSE COMPACTED TO MEET 95% DENSITY.
4. THE CATTLE GUARD SHALL BE INSTALLED TO THE LINE AND GRADE OF THE EXISTING ROADWAY AND SHALL CAUSE NO INTERRUPTION OF, OR INTERFERENCE WITH, ROADWAY DRAINAGE AND THE GRILL SHALL BE INSTALLED PERPENDICULAR TO THE TRAVELED WAY.

MATERIALS		
SYMBOL	DESCRIPTION	QUANTITY
F2	ASTM A36 3/4 INCH DIAMETER THREADED ANCHOR ROD WITH NUT AND WASHER 9 INCHES LONG (6 INCH EMBEDMENT) WITH 135 DEGREE BEVELED END. EMBED WITH HILTI ADHESIVE SYSTEM HVU ADHESIVE CAPSULES.	16
F3	ASTM A36 3/4 INCH DIAMETER THREADED ANCHOR ROD WITH NUT AND WASHER 5 INCHES LONG (3 INCH EMBEDMENT) WITH 135 DEGREE BEVELED END. EMBED WITH HILTI ADHESIVE SYSTEM HVU ADHESIVE CAPSULES. PLACE BETWEEN STRINGERS FOR BEARING PAD RESTRAINT.	16
S1	PLATE 7/16 INCH BY 3 1/2 INCH WIDE BY 3 1/2 INCH LONG ASTM A36 STEEL WITH 13/16 DIAMETER HOLE A FIXED END.	8
S2	PLATE 7/16 INCH BY 3 1/2 INCH WIDE BY 3 1/2 INCH LONG ASTM A36 STEEL WITH 13/16 DIAMETER BY 1 INCH SLOTTED HOLE AT EXPANSION END.	8
M1	BEARING PAD ~ 1/4 INCH THICK BY 12 INCH WIDE BY 12 FEET LONG AASHTO GRADE NEOPRENE DUROMETER 60.	4

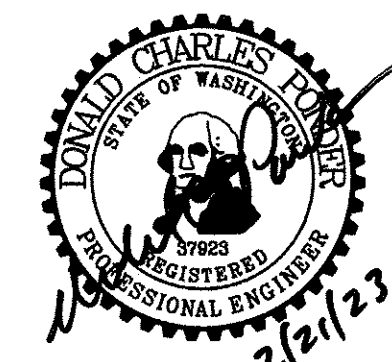


NOTES:

1. DESIGN LOADING SHALL MEET AASHTO HS20-44 REQUIREMENTS.
2. PROVIDE DRAINAGE AWAY FROM STRUCTURE.



WASHINGTON DEPARTMENT OF
FISH & WILDLIFE

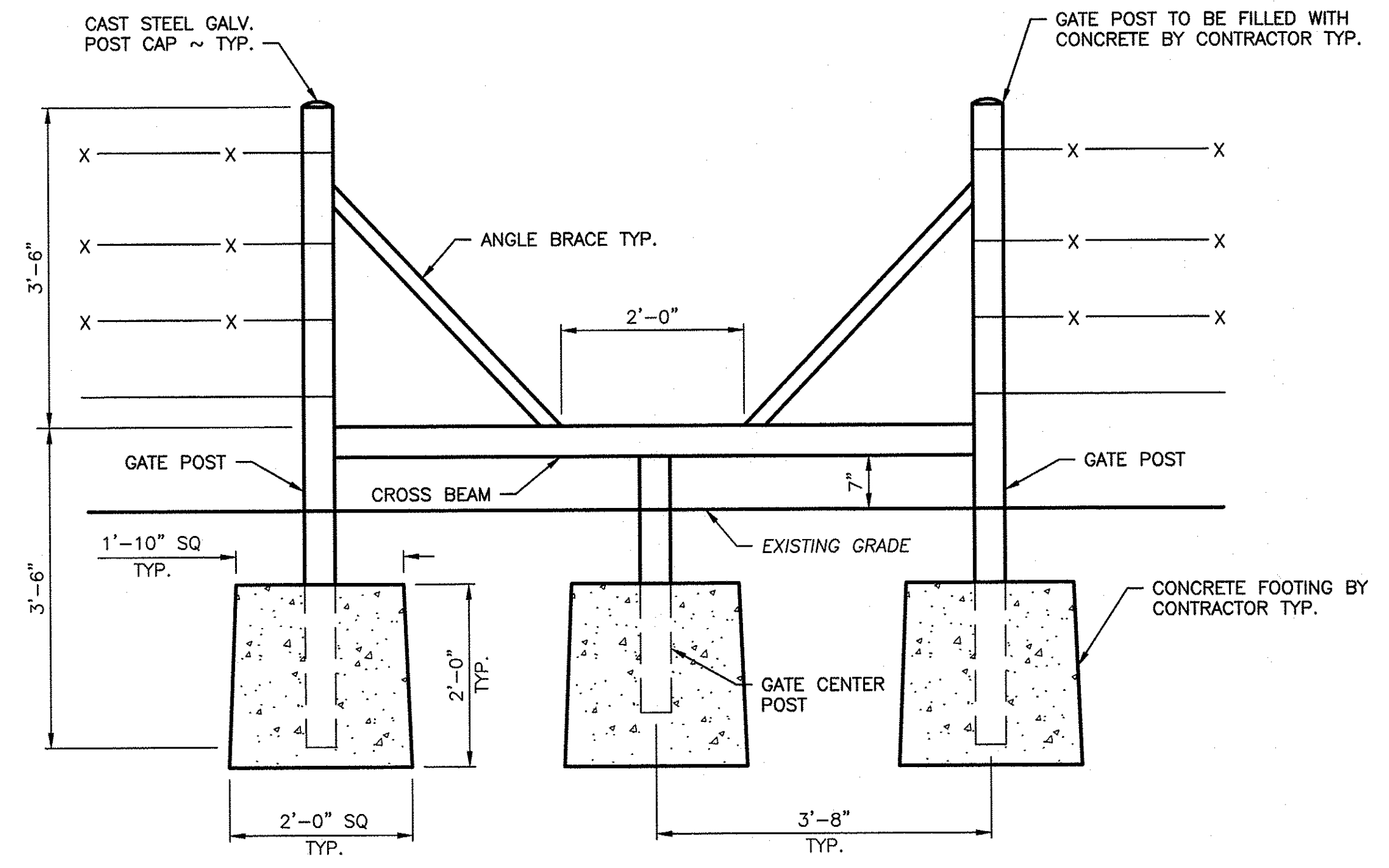


SYM	DATE	REVISION DESCRIPTION	BY
		APPROVED AND RELEASED FOR CONSTRUCTION	
CHIEF ENGINEER	DATE:	DESIGNED BY R. MOSBERGER	
PROGRAM	DATE:	CHECKED BY N. WHITE	
		DRAWN BY S. SPARKS	
		DATE 02/17/2023	

KLICKITAT WLA - SIMCOE MOUNTAINS UNIT
BOUNDARY/INTERIOR FENCE
CATTLE GUARD

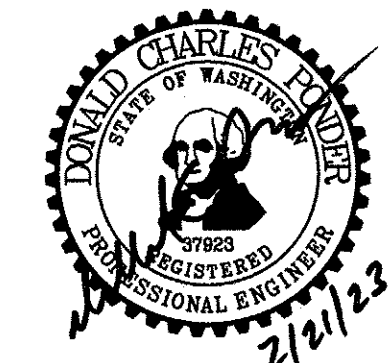
PROJECT NO.
KT:R204:2021-1

SHEET 8 OF 9



OWNER SUPPLIED HORSE GATE
NOT TO SCALE

WASHINGTON DEPARTMENT OF
FISH & WILDLIFE



SYM	DATE	REVISION DESCRIPTION	BY
		APPROVED AND RELEASED FOR CONSTRUCTION	
CHIEF ENGINEER		DATE:	DESIGNED BY R. MOSBERGER
PROGRAM		DATE:	CHECKED BY N. WHITE
			DRAWN BY S. SPARKS
			DATE 02/17/2023

KLICKITAT WLA – SIMCOE MOUNTAINS UNIT
BOUNDARY/INTERIOR FENCE
HORSE GATE

PROJECT NO. KT:R204:2021-1	
SHEET 9	OF 9