



**State of Washington  
DEPARTMENT OF FISH AND WILDLIFE**

Mailing Address: 600 Capitol Way N, Olympia, Washington 98501-1091 - (360) 902-2200

**ENVIRONMENTAL CHECKLIST  
(WAC 197-11-960)**

**A. BACKGROUND**

1. **Name of proposed project, if applicable:** Weatherly Elk Fence Extension
2. **Name of Applicant:** Washington Department of Fish and Wildlife
3. **Address and phone number of applicant and contact person:**

Washington Dept of Fish and Wildlife  
Capitol Programs & Engineering Division  
600 Capitol Way North  
Olympia, WA 98501-1091

Contact Person: Marty Peoples  
Fish and Wildlife Biologist  
Telephone Number: (360) 902-8426  
Fax Number: (360) 902-8367  
E-Mail: peoplmdp@dfw.wa.gov

4. **Date checklist prepared:** August 8, 2008
5. **Agency requesting checklist:** Washington Department of Fish and Wildlife
6. **Proposed timing or schedule (including phasing, if applicable):**

*Construction is scheduled to begin in September 2008. As much elk fence as funds allow will be constructed. Additional funds may become available after July 2009 and the project completed after that time.*

7. **Do you have any plans for future additions, expansion, or further activity related to or connected with this proposal? If yes, explain.**

*No.*

8. **List any environmental information you know about that has been prepared, or will be prepared, directly related to this proposal:**

*None known.*

9. **Do you know whether applications are pending for governmental approvals of other proposals directly affecting the property covered by your proposal? If yes, explain.** *None pending.*

10. **List any government approvals or permits that will be needed for your proposal, if known.**

*None anticipated.*

- 11. Give brief, complete description of your proposal, including the proposed uses and the size of the project and site. There are several questions later in this checklist that ask you to describe certain aspects of your proposal. You do not need to repeat those answers on this page.**

*This project consists of construction of approximately 3 miles of 8-foot high elk fence in Asotin County along Tam Tam Ridge. This fence replaces an existing barbwire fence.*

*Construction will consist of embedding treated wood fence posts 2.5' into the ground and stapling 8' tall 6" x 6" wire mesh to them. Some 12' wide swing gates and some one-way gates will be installed at their original locations. Where posts cannot be buried due to the rocky soil, rockjacks will be constructed to provide fence stability (see the drawings for a rockjack example). Due to the remote location of parts of this fence, materials may be brought to the fence site by helicopter. Equipment used will be restricted to hand operated tools only. Please see attached plans for construction techniques and design.*

*The access road to this section of fence will be graded in spots (remove rocks and smooth the road) to allow better access. This road originates at Dry Gulch Road.*

- 12. Location of the proposal. Give sufficient information for a person to understand the precise location of your proposed project, including street address, if any, and section, township, and range, if known. If a proposal would occur over a range of area, provide the range or boundaries of the site(s). Provide a legal description, site plan, vicinity map, and topographic map, if reasonably available. While you should submit any plans required by the agency, you are not required to duplicate maps or detailed plans submitted with any permit applications related to this checklist.**

*The site is accessed from Asotin Creek Road. Private land must be crossed to reach this site. Fence repair will occur on private property as well as land owned by the Washington Department of Natural Resources.*

*The work will be in Section 1 & 2 of T9N, R43E; Sections 4, 5 & 6 of T9N, R44E; Sections 31 and 32 of T10N, R44E, W.M.*

*Please see attached map for precise fence location.*

## **B. ENVIRONMENTAL ELEMENTS**

### **1. Earth**

- a. **General description of the site (underline one): flat, rolling, hilly, steep slopes, mountainous, other \_\_\_\_\_.**
- b. **What is the steepest slope on the site (approximate percent slope)? 45%.**
- c. **What general types of soils are found on the site (for example, clay, sand, gravel, peat, muck)? If you know the classification of the agricultural soils, specify them and note any prime farmland.**

*The soil in this area is classified primarily as silt loam, stony loam, and rock outcrop complex.*

d. Are there surface indications or history of unstable soils in the immediate vicinity? If so, describe. *No.*

e. Describe the purpose, type and approximate quantities of any filling or grading proposed. Indicate source of fill.

*No filling is proposed or needed.*

f. Could erosion occur as a result of clearing, construction or use? If so generally describe.

*Not likely. Disturbed areas will be limited to fence posts holes and existing road grades. Rocky soil characteristics in the area further reduce the prospect for erosion.*

g. About what percent of the site will be covered with impervious surfaces after project construction (for example, asphalt or buildings)?

*There will be no impervious surfaces at the fence site. The road grading will not add any additional impervious area.*

h. Proposed measures to reduce or control erosion, or other impacts to the earth, if any:

*Any potential erosion will be prevented using erosion control BMP's.*

## 2. Air

a. What type of emissions to the air would result from the proposal (i.e., dust automobile, odors, industrial wood smoke) during construction and when the project is completed? If any, generally describe and give approximate quantities if known.

*Vehicle exhaust and dust from construction is expected. No long-term change in emissions will result from the completed project.*

b. Are there any off-site sources of emissions or odor that may affect your proposal? If so, generally describe. *No.*

c. Proposed measures to reduce or control emissions or other impacts to air, if any: *None.*

## 3. WATER

### a. Surface

1) Is there any surface water body on or in the immediate vicinity of the site (including year-round and seasonal streams, saltwater, lakes ponds or wetlands)? If yes, describe type and provide names. If appropriate, state what stream or river it flows into.

*There is no surface water in the immediate vicinity. Charley Creek is located 1/2 mile from the project site.*

2) Will the project require any work over, in, or adjacent to (within 200 feet) the described waters? If yes, please describe and attach available plans.

*No.*

3) Estimate the amount of fill and dredge material that would be placed in or removed from surface water or wetlands and indicate the area of the site that would be

affected. Indicate the source of fill material.

*None.*

- 4) Will the proposal require surface water withdrawals or diversions? Give general description, purpose, and approximate quantities if known. *No.*
- 5) Does the proposal lie within a 100-year floodplain? If so, note location on the site plan.  
*No.*
- 6) Does the proposal involve any discharges of waste material to surface waters? If so, describe the type of waste and anticipated volume of discharge.

*No waste material will be discharged into surface waters.*

**b. Ground**

- 1) Will ground water be withdrawn, or will water be discharged to ground water? Give general description purpose, and approximate quantities, if known. *No.*
- 2) Describe waste material that will be discharged into the ground from septic tanks or other sources, if any (for example: Domestic sewage; industrial, containing the following chemicals. . . ; agricultural; etc.). Describe the general size of the system, the number of such systems, the number of houses to be served (if applicable), or the number of animals or humans the system(s) are expected to serve.

*No waste material will be discharged.*

**c. Water Runoff (including storm water):**

- 1) Describe the source of runoff (including storm water) and method of collection and disposal, if any (including quantities, if known). Where will this water flow? Will this water flow into other waters? If so, describe.

*Natural drainage patterns will not be altered.*

- 2) Could waste materials enter ground or surface waters? If so, generally describe.

*No waste materials will enter surface waters.*

**d. Proposed measures to reduce or control surface, ground and runoff water impacts, if any:**

*None.*

**4. PLANTS**

**a. Check or underline types of vegetation found on the site:**

deciduous tree: alder, willow, maple, aspen, cottonwood, other

evergreen tree: fir, cedar, pine, other

shrubs

grass

pasture

crop or grain

wet soil plants: cattail, buttercup, bulrush, skunk cabbage, other

water plants: waterlily, eelgrass, milfoil, other

other types of vegetation

b. What kind and amount of vegetation will be removed or altered? *None.*

c. List threatened and endangered species [of plants] known to be on or near the site.

*None known.*

d. Proposed landscaping, use of native plants, or other measures to preserve or enhance vegetation on the site, if any:

*Vegetation will be preserved by building in the same footprint as the existing fence.*

#### 5. ANIMALS

a. Underline any birds or animals, which have been observed on or near the site or are known to be on or near the site:

Birds: hawk, heron, eagle, songbirds, other:

Mammals: deer, bear, elk, beaver, other:

Fish: bass, salmon, trout, herring, shellfish, other:

b. List any threatened or endangered species known to be on or near the site.

*No endangered species are known to be onsite.*

c. Is the site part of a migration route? If so, explain.

*No.*

d. Proposed measures to preserve and enhance wildlife, if any:

*None.*

#### 6. ENERGY AND NATURAL RESOURCES

a. What kinds of energy (electric, natural gas, oil, wood stove, solar) will be used to meet the completed project's energy needs? Describe whether it will be used for heating, manufacturing, etc. *N/A.*

b. Would your project affect the potential use of solar energy by adjacent properties? If so, generally describe. *No.*

- c. **What kinds of energy conservation features are included in the plans of this proposal?**  
List other proposed measures to reduce or control energy impacts, if any: *None.*

**7. ENVIRONMENTAL HEALTH**

- a. **Are there any environmental health hazards, including exposure to toxic chemicals, risk of fire and explosion, spill or hazardous waste that could occur as a result of this proposal.**  
*No.*

- 1) **Describe special emergency services that might be required.**

*Emergency medical services may be required during construction.*

- 2) **Proposed measures to reduce or control environmental health hazards, if any:**  
*None.*

**b. Noise**

- 1) **What types of noise exist in the area which may affect your project (for example: traffic, equipment, operation, other)?** *None.*

- 2) **What types and levels of noise would be created by or associated with the project on a short-term or long-term basis (for example: traffic, construction, operation, other)? Indicate what hours noise would come from the site.**

*Increased levels of noise during construction activities are expected from this project. Hours of increased noise levels will be 7am to 6pm. No change in noise level is expected from the completed project.*

- 3) **Proposed measures to reduce or control noise impacts, if any:** *None.*

**8. LAND AND SHORELINE USE**

- a. **What is the current use of the site and adjacent properties?**

*This land is currently used as private ranchland, and DNR land is leased as cattle grazing land. The adjacent properties include mostly agricultural land and forested areas.*

- b. **Has the site been used for agriculture? If so describe?** *No.*

- c. **Describe any structures on the site.**

*There are no structures on this site other than the existing barbwire fence.*

- d. **Will any structures be demolished? If so what?**

*The existing barbwire fence will be demolished.*

- e. **What is the current zoning classification of the site?**

*Rural/Agricultural.*

- f. **What is the current comprehensive plan designation of the site?**

*Rural/Agricultural.*

**g. If applicable, what is the current shoreline master program designation of the site?**

*N/A.*

**h. Has any part of the site been classified as an "environmentally sensitive" area? If so, specify.**

*No.*

**i. Approximately how many people would reside or work in the completed project? *None.***

**j. Approximately how many people would the completed project displace? *None.***

**k. Proposed measures to avoid or reduce displacement impacts, if any: *None.***

**l. Proposed measures to ensure the proposal is compatible with existing and projected land uses and plans, if any:**

*No change in land use is proposed.*

#### **9. HOUSING**

**a. Approximately how many units would be provided, if any? Indicate whether high, middle, or low-income housing. *None.***

**b. Approximately how many units, if any, would be eliminated? Indicate whether high, middle, or low-income housing. *None.***

**c. Proposed measures to reduce or control housing impacts, if any: *None.***

#### **10. AESTHETICS**

**a. What is the tallest height of any proposed structure(s), not including antennas; what is the principal exterior building material(s) proposed?**

*Eight-foot wood and steel fence posts will be installed.*

**b. What views in the immediate vicinity would be altered or obstructed? *None.***

**c. Proposed measures to reduce or control aesthetic impacts, if any: *None.***

#### **11. LIGHT AND GLARE**

**a. What type of light or glare will the proposal produce? What time of day would it mainly occur?**

*No change will result in glare.*

**b. Could light or glare from the finished project be a safety hazard or interfere with views?**

*No.*

**c. What existing off-site sources of light or glare may affect your proposal? *None.***

**d. Proposed measures to reduce or control light and glare impacts, if any: *None.***

**12. RECREATION**

- a. **What designated and informal recreational opportunities are in the immediate vicinity?**

*Hunting and wildlife viewing.*

- b. **Would the proposed project displace any existing recreational uses? If so, describe.**

*No.*

- c. **Proposed measures to reduce or control impacts on recreation, including recreational opportunities to be provided by the project or applicant, if any: *None.***

**13. HISTORIC AND CULTURAL PRESERVATION**

- a. **Are there any places or objects listed on, or proposed for, national, state, or local preservation registers known to be on or next to the site? If so, generally describe. *No.***

- b. **Generally describe any landmarks or evidence of historic, archaeological, scientific, or cultural importance known to be on or next to the site. *None.***

- c. **Proposed measures to reduce or control impacts, if any:**

*Keep the project within the existing footprint.*

**14. TRANSPORTATION**

- a. **Identify public streets and highways serving the site, and describe proposed access to the existing street system. Show on site plans, if any.**

*Asotin Creek Road provides access to this site.*

- b. **Is site currently served by public transit? If no, what is the approximate distance to the nearest transit stop?**

*The site is not served by public transit. The nearest stop is in Asotin 5 miles away.*

- c. **How many parking spaces would the completed project have? How many would the project eliminate?**

*The completed project will not add or reduce parking spaces.*

- d. **Will the proposal require any new roads or streets, or improvements to existing roads or streets, not including driveways? If so, generally describe (indicate whether public or private). *No.***

- e. **Will the project use (or occur in the immediate vicinity of) water, rail, or air transportation? If so, generally describe. *No.***

- f. **How many vehicular trips per day would be generated by the completed project? If known, indicate when peak volumes would occur.**

*No additional vehicle trips are anticipated to result from this project.*

- g. **Proposed measures to reduce or control transportation impacts, if any: *None.***



**15. PUBLIC SERVICES**

- a. Would the project result in an increased need for public services (for example: fire protection, police protection, health care, schools, other)? If so generally describe. *No.*
- b. Proposed measures to reduce or control direct impacts on public services, if any: *None.*

**16. UTILITIES**

- a. Underline utilities currently available at the site: Electricity, Natural Gas, Water, Refuse Service, Telephone, Sanitary Sewer, Septic System, Other.
- b. Describe the utilities that are proposed for the project, the utility providing the service, and the general construction activities on the site or in the immediate vicinity, which might be needed.

*No additional utilities proposed.*

**C. SIGNATURE**

The above answers are true and complete to the best of my knowledge. I understand that the lead agency is relying on them to make its decision.

SIGNATURE: *Myantia Peoples* DATE SUBMITTED: *8/11/08*

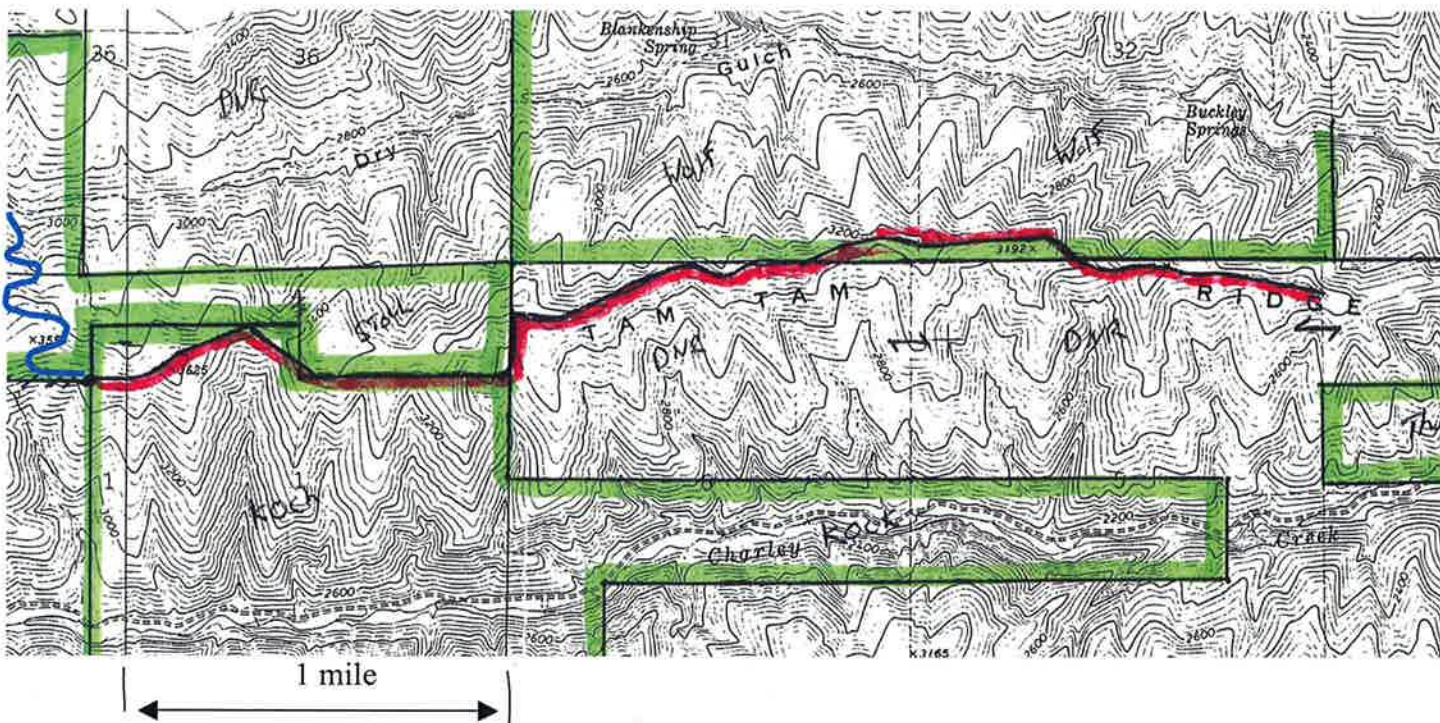
# Weatherly Elk Fence Extension

## Project Location

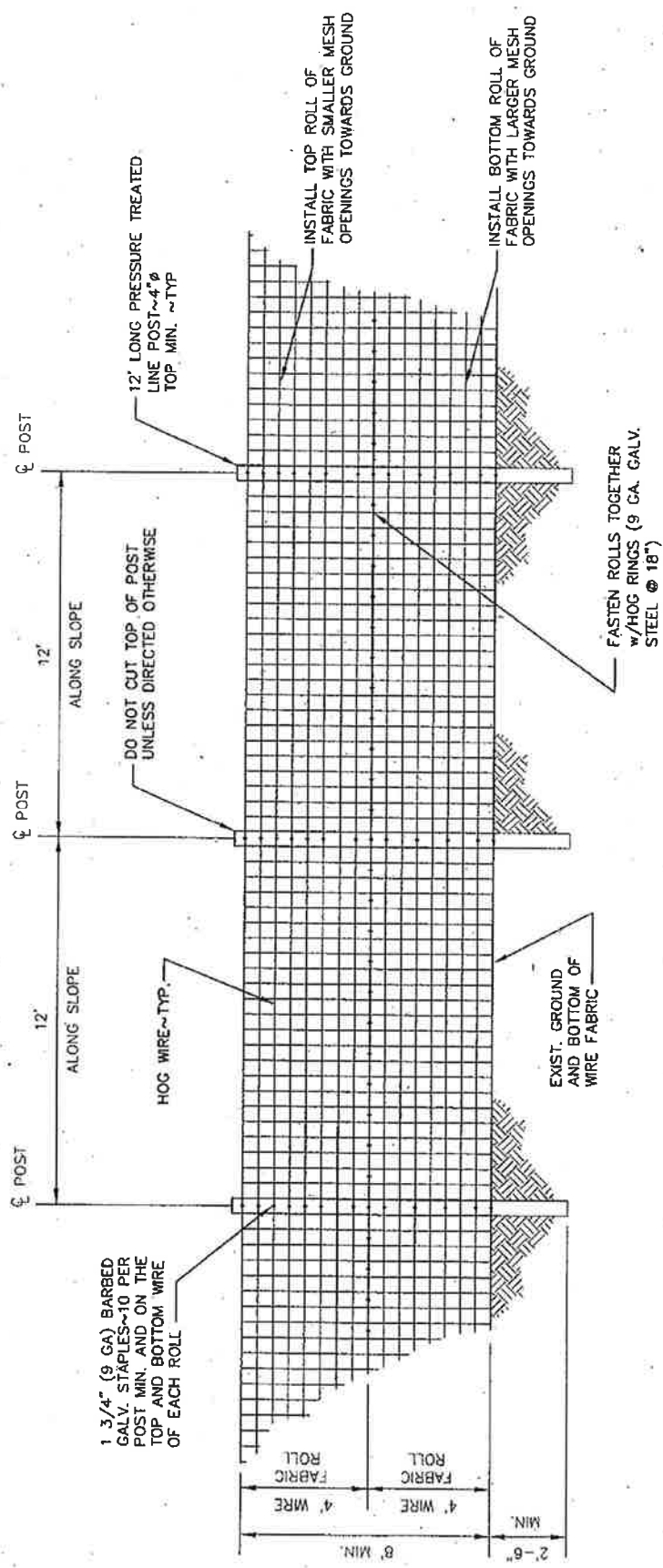
Township:	Range:	Sections:
9 North:	43E:	1
	44E:	5, 6
10 North:	44E:	31, 32

Address: None

City: ~ 17 miles SW of Clarkston County: Asotin



**Red** is fenceline, **blue** is access road, **green** are property lines of private landowners and Dept of Natural Resources.



**TYPICAL FENCING NOTES:**

1. ALL POSTS SHALL BE PRESURE TREATED (CCA TYPE 2 PRESERVATIVE AT 0.40 LB/CU. FT. RETENTION MIN.)
2. LINE POSTS AND BRACE RAILS SHALL BE 12' LONG, WITH MIN. 4" TOP AND 5" BUTT.
3. GATE, CORNER AND STRETCH POSTS SHALL BE 12' LONG, MIN. WITH MIN. 6" TOP AND 7" BUTT.
4. WOVEN WIRE (HOG WIRE) SHALL BE #1047-6-12-1/2 WITH CLASS 3 GALVANIZING.
5. STAPLES SHALL BE 1 3/4" 9 GA., CLASS 1 GALVANIZING.
6. HOG RINGS SHALL BE 9 GA. STEEL, CLASS 1 GALVANIZING.
7. END OF ROLL SPLICES FOR FABRIC AND WIRE SHALL BE STAGGERED ONE POLE SPACING MINIMUM.

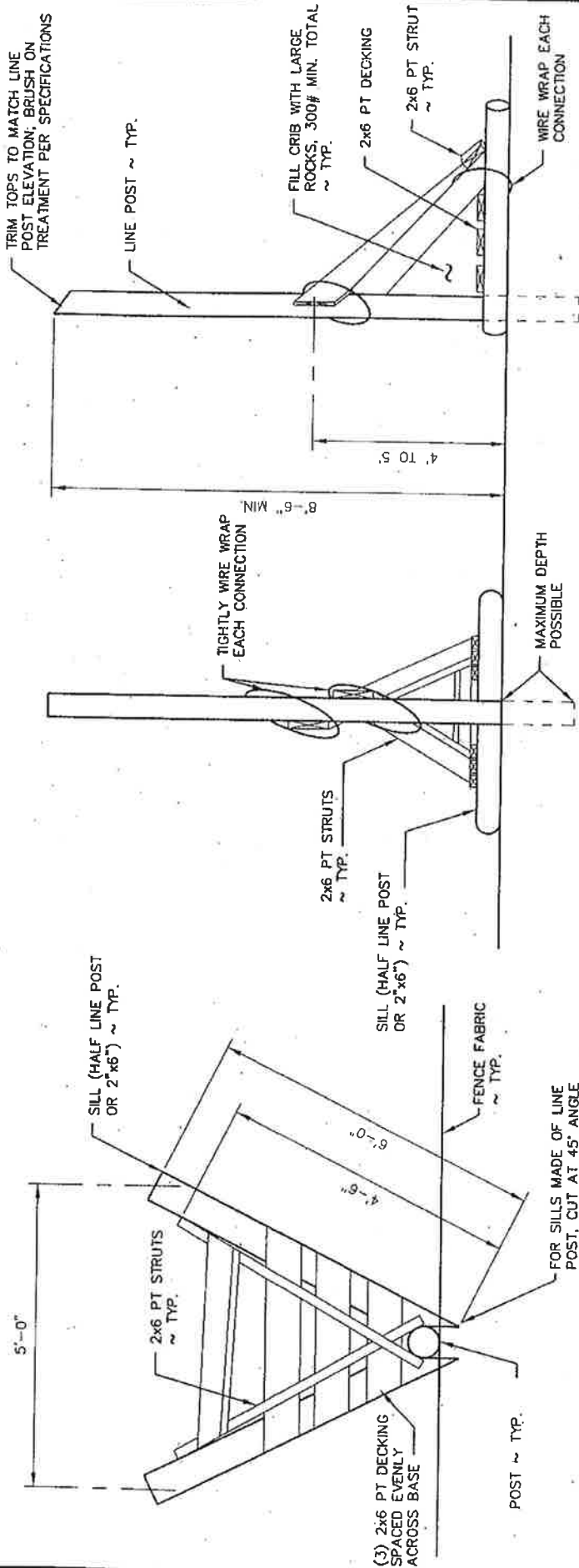
**WASHINGTON STATE  
DEPARTMENT OF FISH AND WILDLIFE**

DESIGNED BY: R. BERG  
 DRAWN BY: R. ENGELHARDT  
 DATE: 05/17/2007  
 FILE NAME: \_\_\_\_\_  
 APPROVED BY: O.L.

STANDARD PLANS  
 DEER/ELK FENCE  
 LINE FENCE

PROJECT NO.  
 CA:R5:06-1

SHEET OF  
 10 18



FRONT  
N.T.S.

SIDE  
N.T.S.

**NOTES:**  
ROCKJACK SHOWN ON LEVEL GROUND. STRUTS MAY NEED TO BE LONGER THAN SHOWN IN SLOPING TERRAIN.  
FLOOR OF ROCKJACK SHALL BE LEVEL TO WITHIN ±2".

PLAN  
N.T.S.

- NOTES:**
- 2x6 STRUTS AND DECKING SHALL BE PRESSURE TREATED.
  - ROCK JACKS ARE TO BE USED IN AREAS WHERE 2'-6" POST BURY DEPTH CANNOT BE REACHED. POST SHALL BE BURIED TO MAX. POSSIBLE DEPTH.
  - DIMENSIONAL LUMBER NAILING SHALL BE WITH 20 PENNY BOX NAILS. OTHER NAILING SHALL BE WITH 50 PENNY NAILS
  - LONGITUDINAL WIRES NOT SHOWN, SPACING SHALL BE THE SAME AS THE LINE FENCE.

WASHINGTON STATE  
DEPARTMENT OF FISH AND WILDLIFE

STANDARD PLAN  
DEER/ELK FENCE  
ROCK JACK

DESIGNED BY R. BERG  
DRAWN BY R. ENGELHART  
DATE 07/16/2007  
FILE NAME  
APPROVED BY D.L.

PROJECT NO.  
CA:RS:06-1  
SHEET OF  
13 18