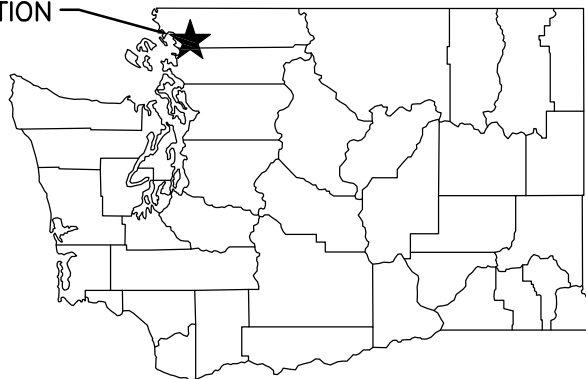
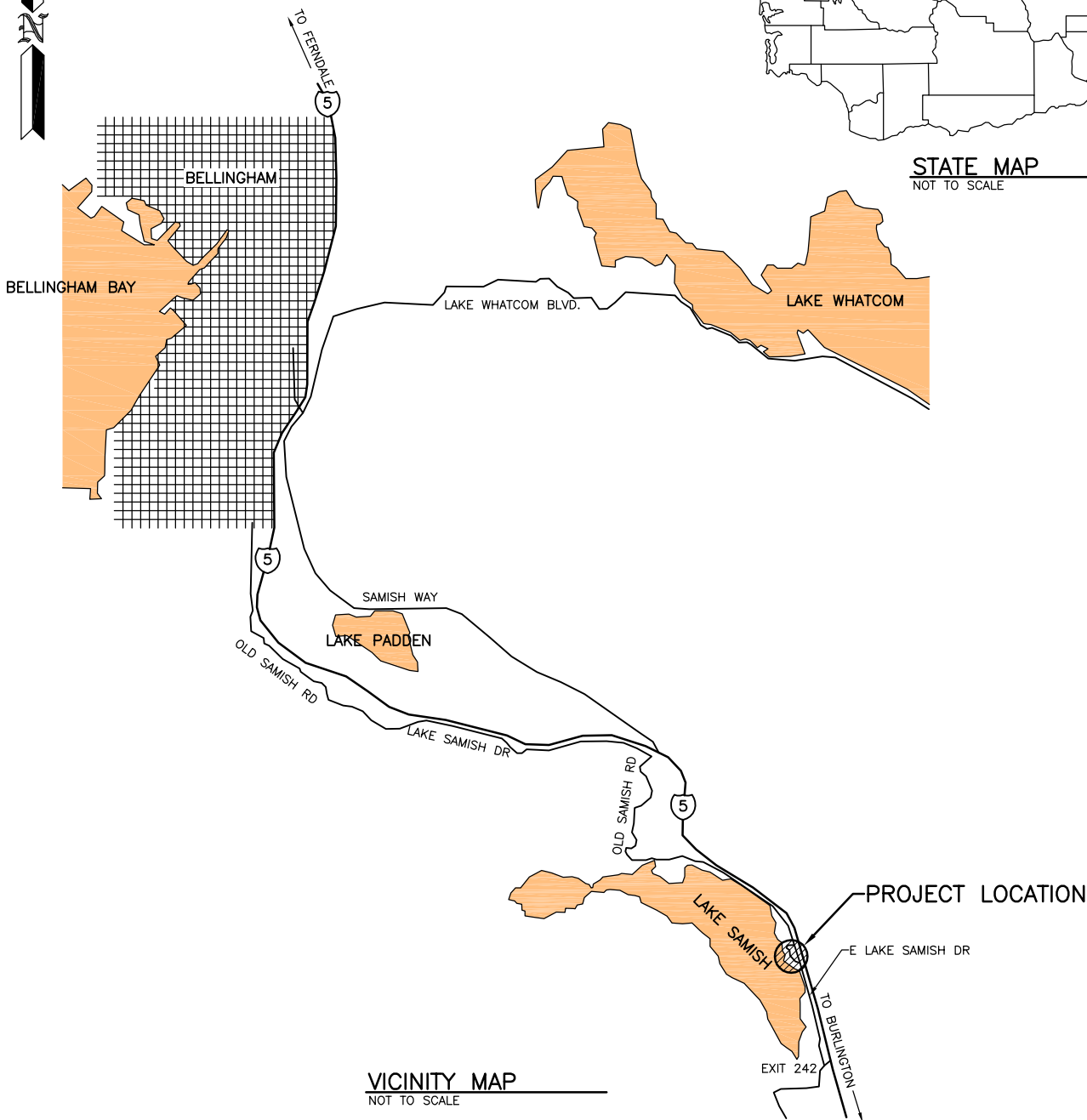


PROJECT LOCATION



STATE MAP
NOT TO SCALE



VICINITY MAP
NOT TO SCALE

LAT: 48.6667
LONG: -122.3761

PURPOSE: REPLACE BOAT RAMP
INSTALL TOILET & ADA
LOADING PLATFORM

WASHINGTON DEPT. of FISH & WILDLIFE
600 CAPITOL WAY N.
OLYMPIA, WA 98501-1091

PROPOSED: ACCESS SITE REDEVELOPMENT

DATUM: ASSUMED

ADJACENT PROPERTY OWNER:

1. _____
2. _____

ENG. PROJECT NO. WM:A581:11-1

REFERENCE NO. _____

SITE: SAMISH LAKE ACCESS

ADDRESS: BELLINGHAM, WA

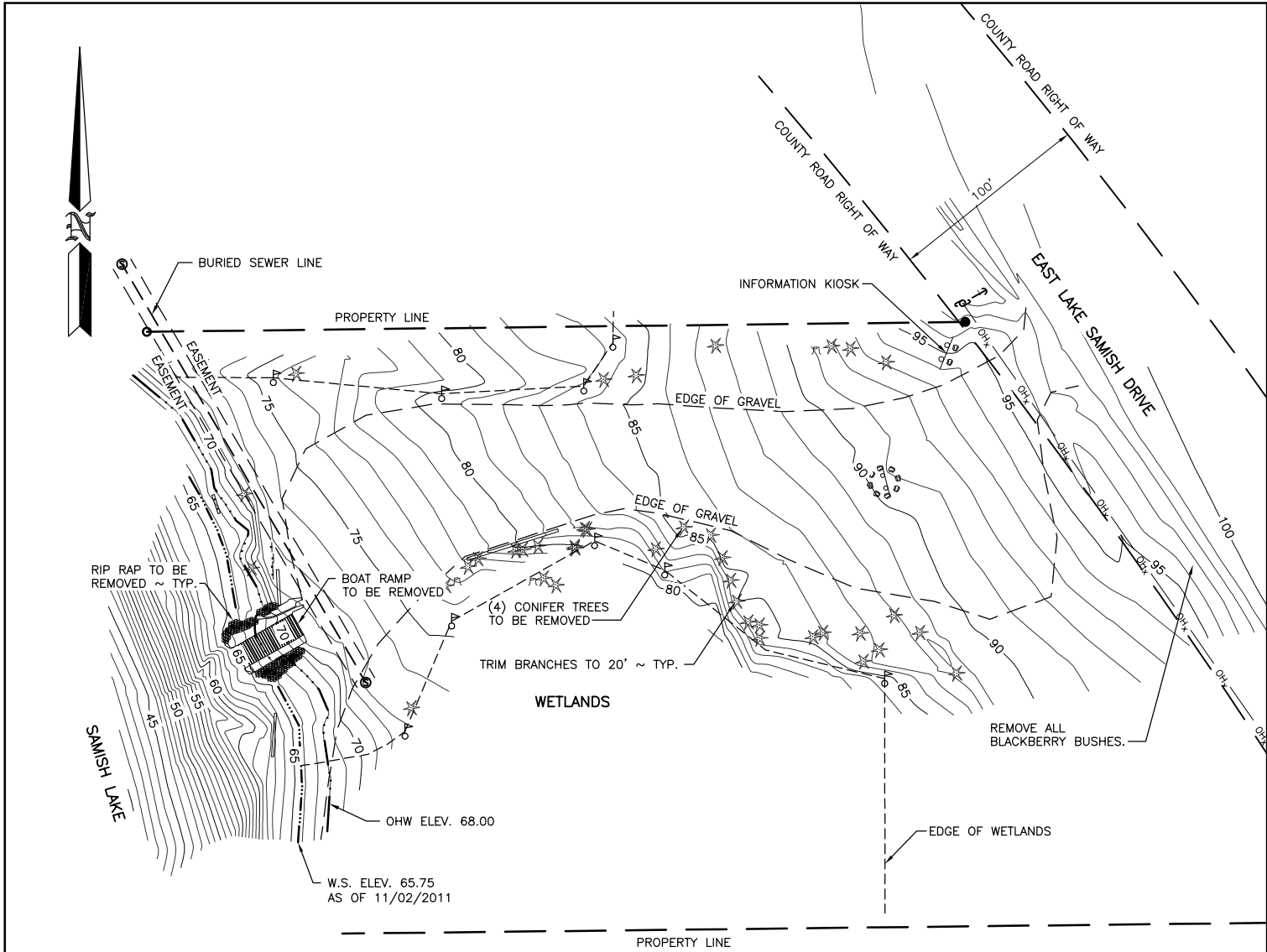
IN: SAMISH LAKE

NEAR: BELLINGHAM

COUNTY OF: WHATCOM STATE: WA

PORTION OF: SECT. 25, T 37 N, R 3 E

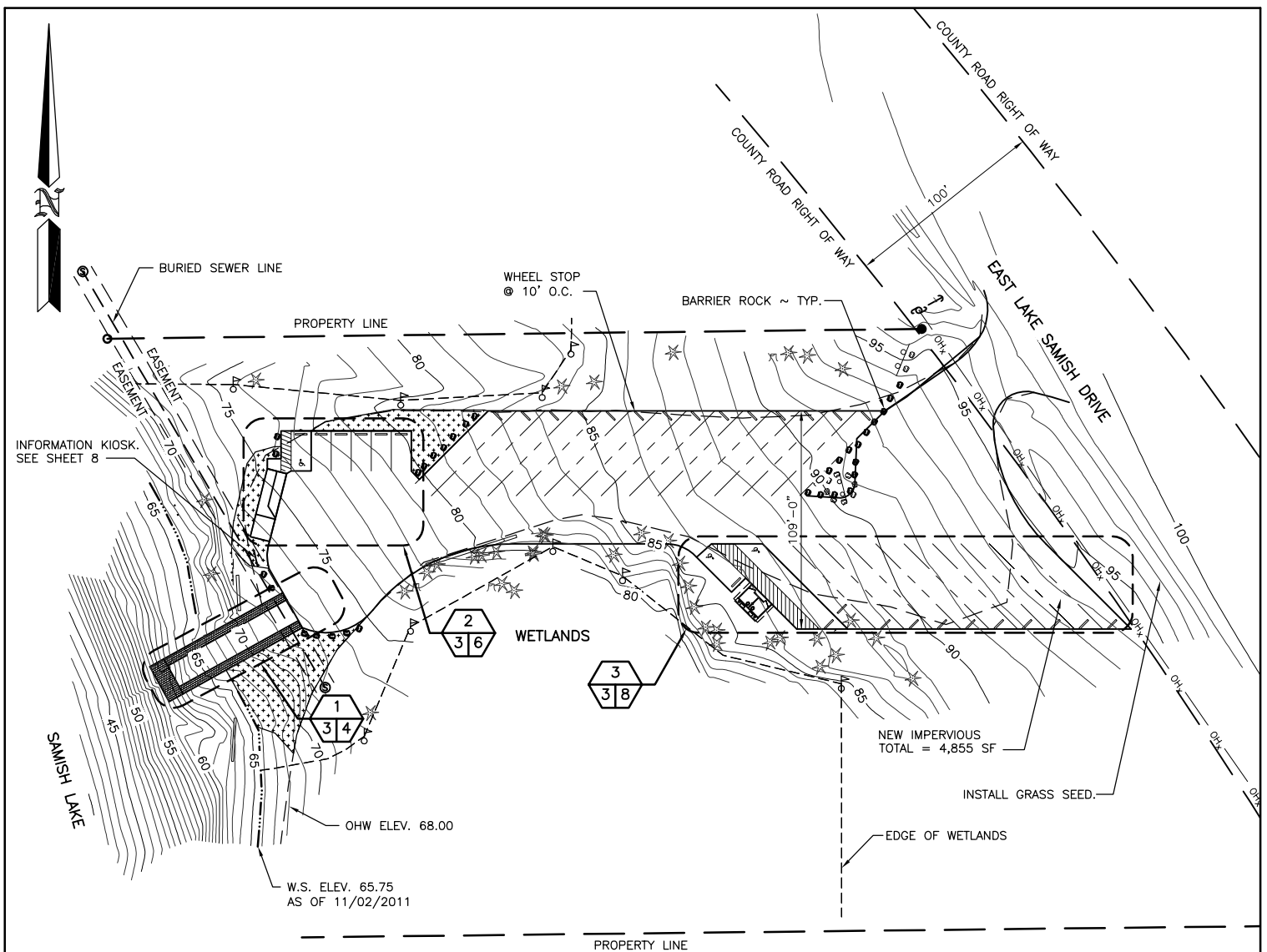
DATE: 01/31/2012 SHEET 1 OF 11



EXISTING SITE PLAN

SCALE: 1" = 80'

REFERENCE NO. _____
APPLICANT: WASHINGTON DEPT. of FISH & WILDLIFE
SAMISH LAKE ACCESS ACCESS REPAIR EXISTING SITE PLAN
AT: <u>WHATCOM</u> , WASHINGTON
DATE: <u>01/31/2012</u> SHEET <u>2</u> OF <u>11</u>



PROPOSED SITE PLAN

SCALE: 1" = 80'

OLD RAMP AREAS		
MATERIAL	BELOW OHW	ABOVE OHW
OLD RAMP	336sf	480sf
RIP RAP	384sf	320sf
TOTAL	720sf	800sf

NEW RAMP VOLUMES		
MATERIAL	BELOW OHW	ABOVE OHW
NEW RAMP	8.16cy	7.11cy
ARMORFLEX	8.84cy	4.74cy
GRAVEL	11.84cy	7.13cy
EXISTING RAMP PLANKS	-2.62cy	-4.10cy
CUT	-23.61cy	-38.68cy
FILL	7.51cy	0cy
TOTAL	10.12cy	-23.80cy

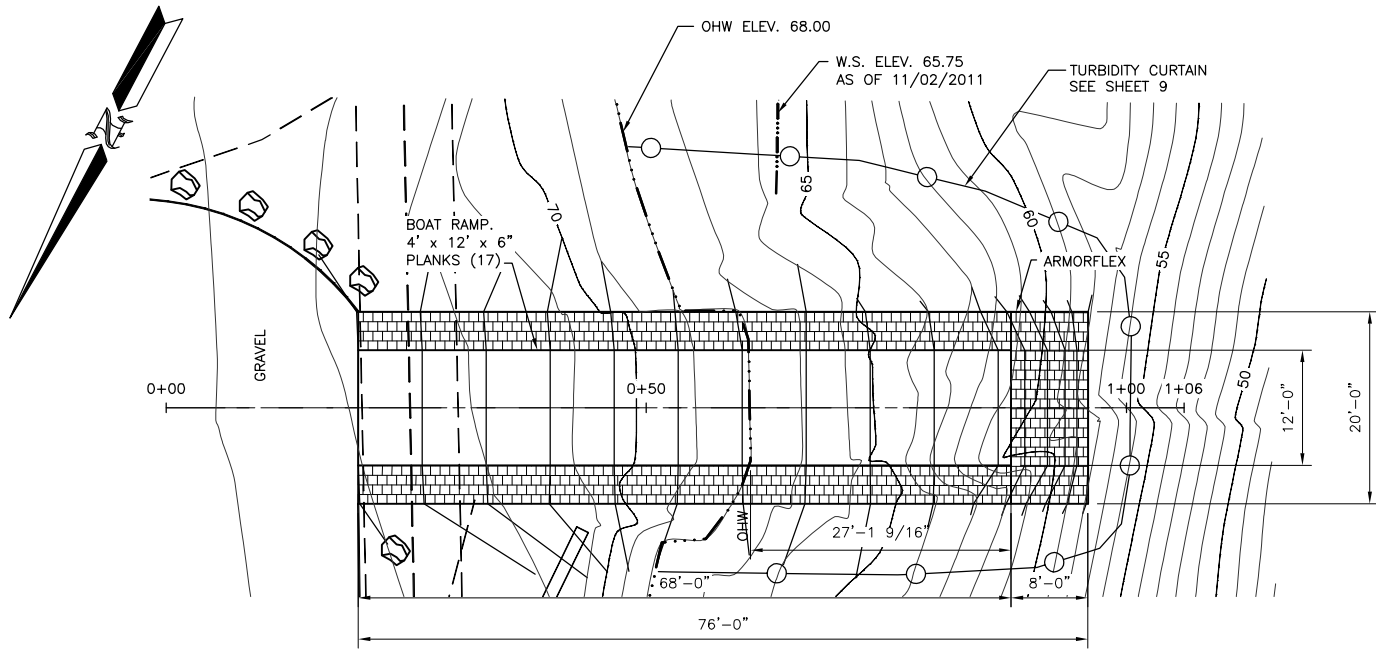
REFERENCE NO. _____

APPLICANT:
WASHINGTON DEPT. of FISH & WILDLIFE

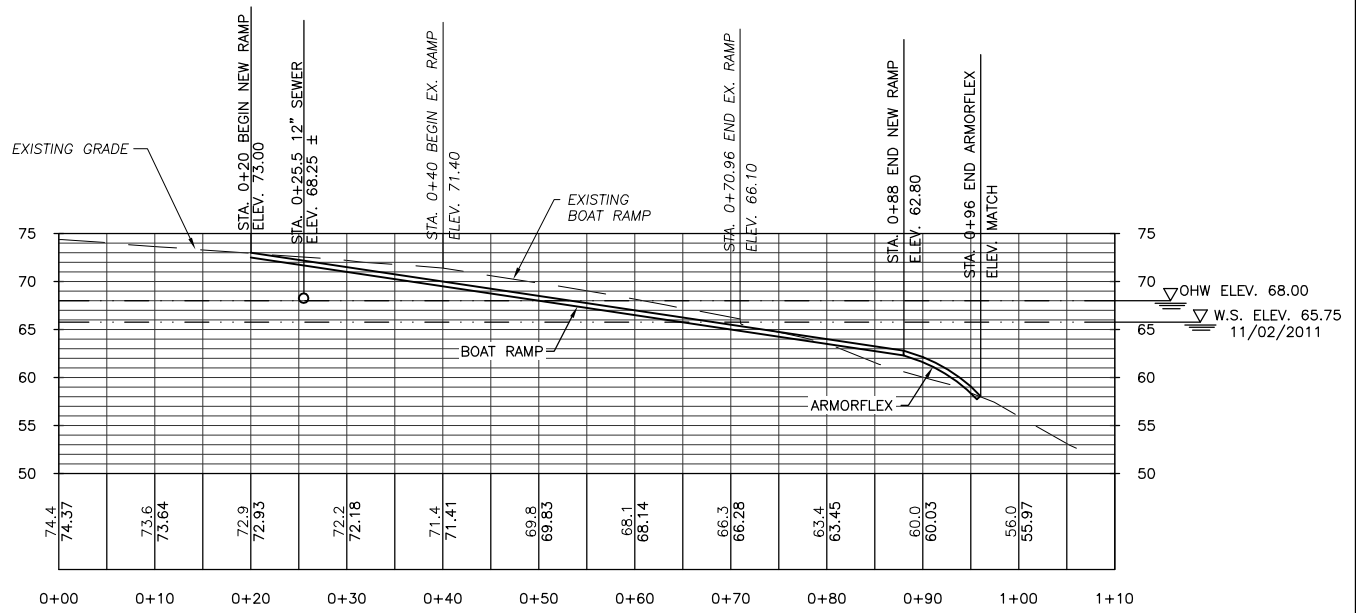
**SAMISH LAKE ACCESS
ACCESS REPAIR
PROPOSED SITE PLAN**

AT: WHATCOM, WASHINGTON

DATE: 01/31/2012 SHEET 3 OF 11



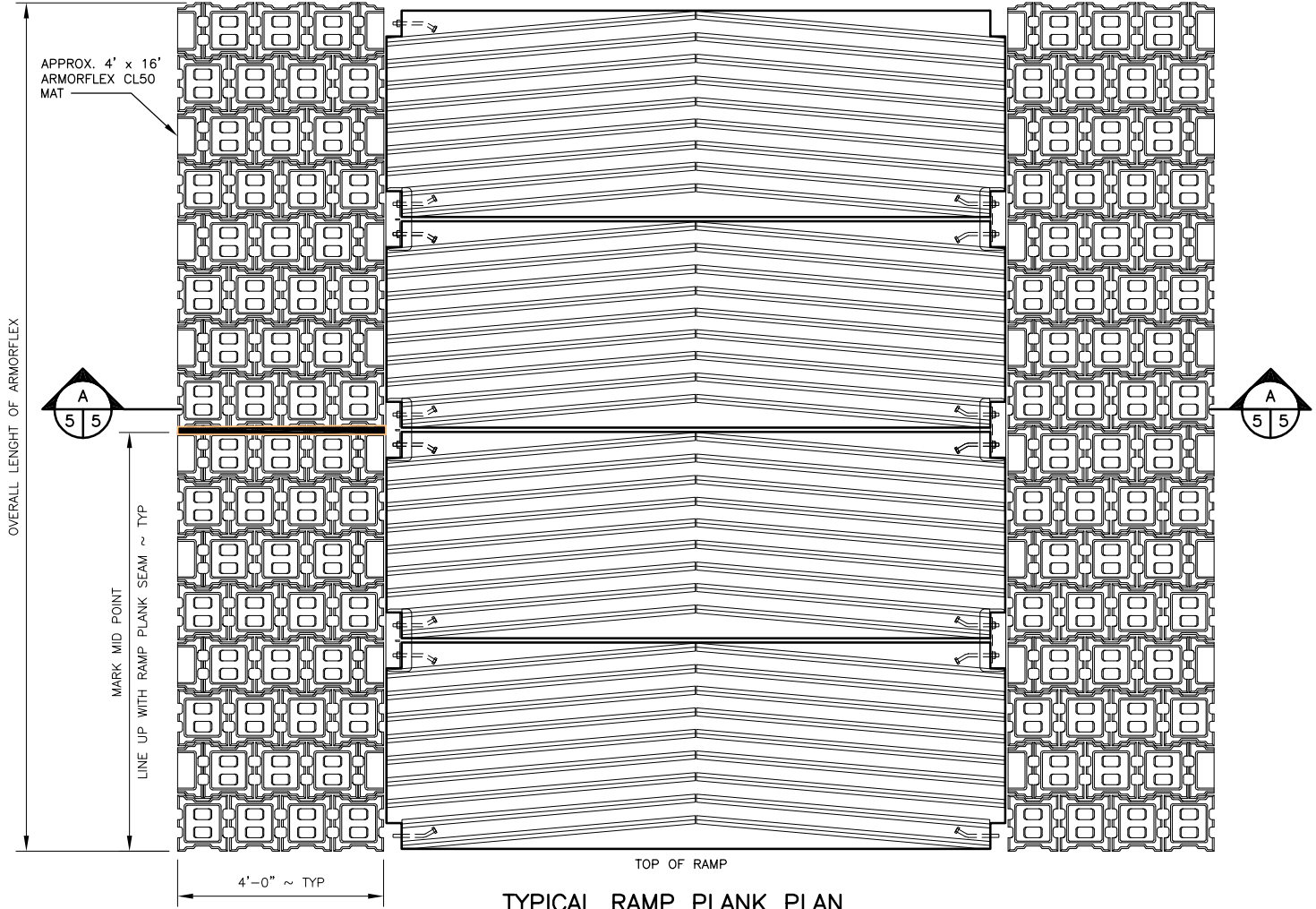
BOAT RAMP PLAN
 SCALE: 1" = 20'



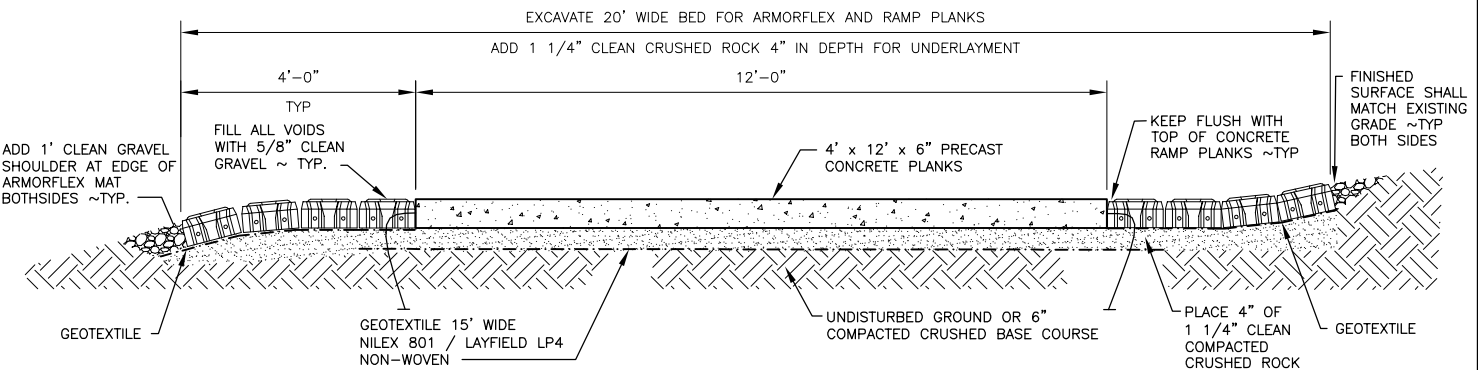
BOAT RAMP PROFILE
 SCALE: 1" = 20'

NOTE:
 REMOVE EXISTING RAMP, CONCRETE, AND RIP-RAP FROM RAMP AREA. (APPROX. 1082 SQ. FT.)

REFERENCE NO. _____
APPLICANT: WASHINGTON DEPT. of FISH & WILDLIFE
SAMISH LAKE ACCESS ACCESS REPAIR BOAT RAMP PLAN & PROFILE
AT: <u>WHATCOM</u> , WASHINGTON
DATE: <u>01/31/2012</u> SHEET <u>4</u> OF <u>11</u>

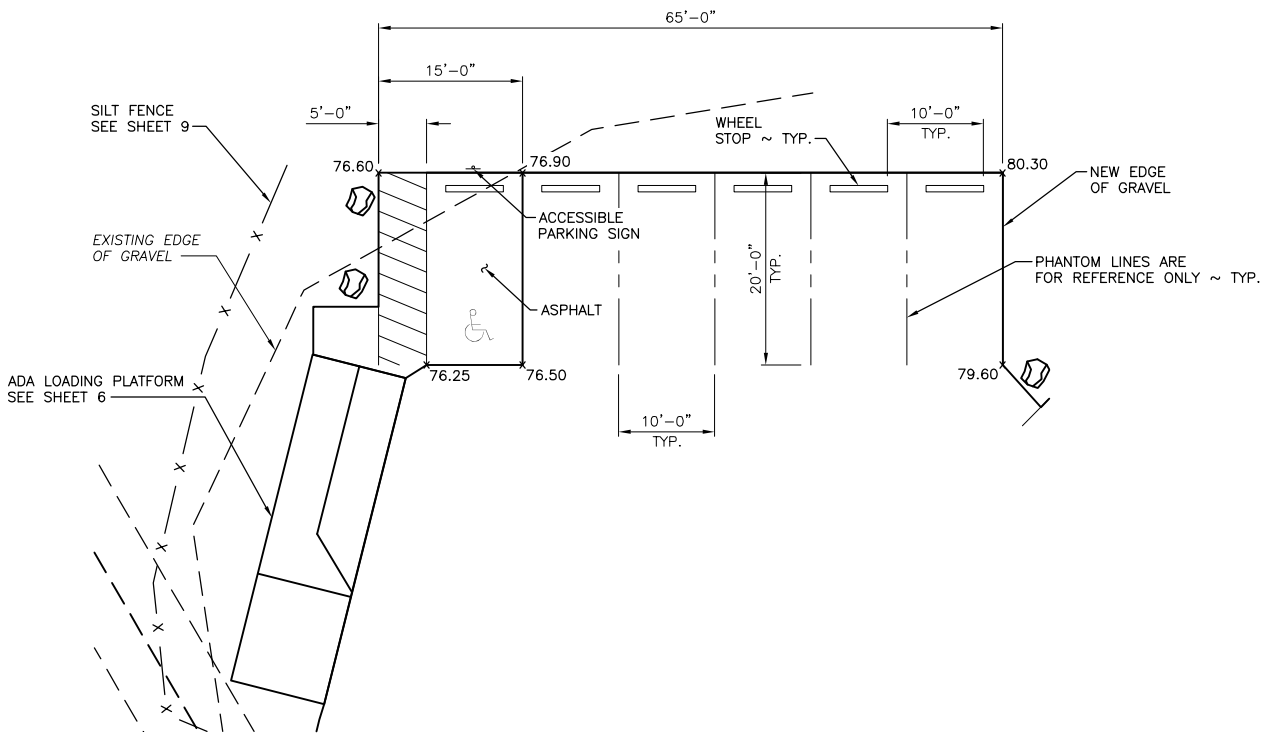


TYPICAL RAMP PLANK PLAN
NOT TO SCALE



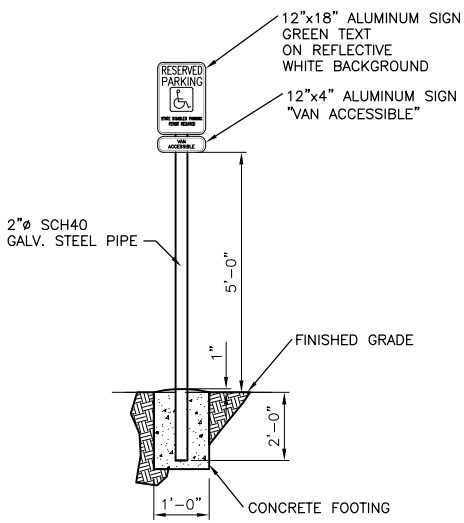
RAMP PLANK
NOT TO SCALE

REFERENCE NO. _____
APPLICANT: WASHINGTON DEPT. of FISH & WILDLIFE
SAMISH LAKE ACCESS ACCESS REPAIR RAMP PLANK PLAN & SECTION
AT: <u>WHATCOM</u> , WASHINGTON
DATE: <u>01/31/2012</u> SHEET <u>5</u> OF <u>11</u>

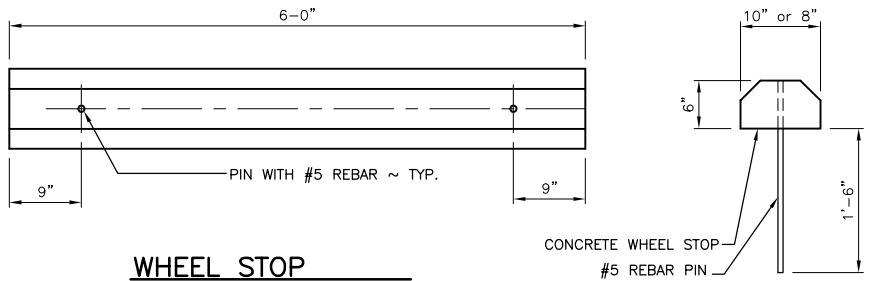


ADA LOADING PLATFORM SITE

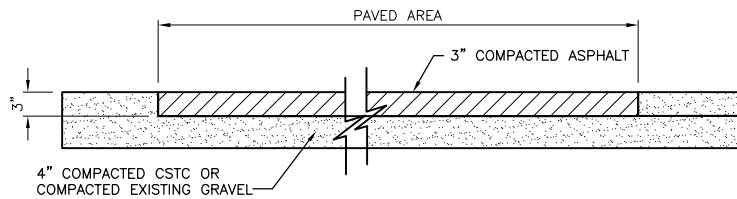
SCALE: 1" = 20'



ACCESSIBLE PARKING SIGN
NOT TO SCALE

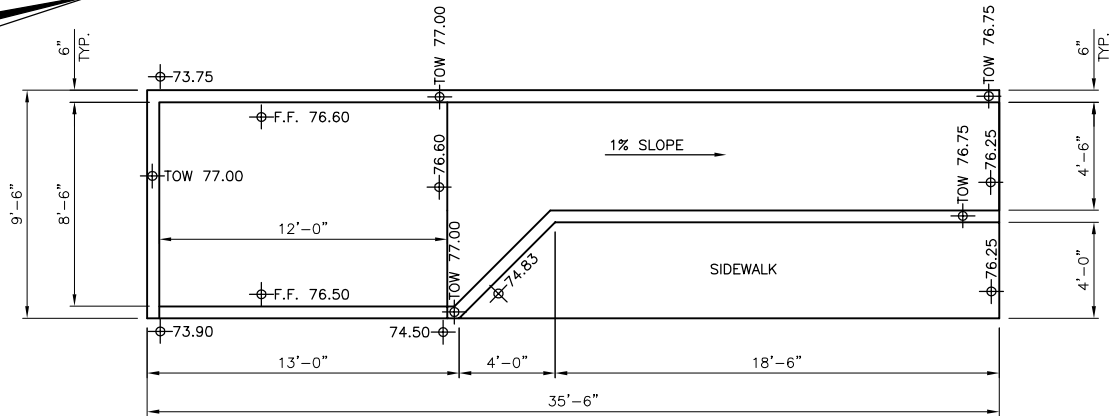


WHEEL STOP
NOT TO SCALE

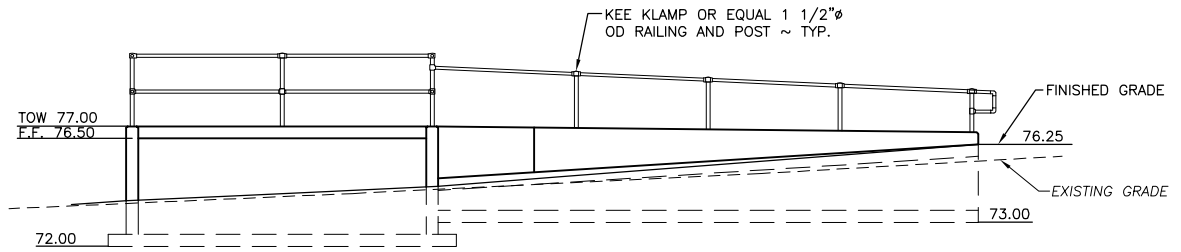


PAVEMENT SECTION
NOT TO SCALE

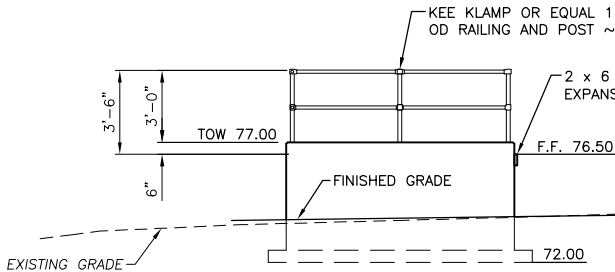
REFERENCE NO. _____
APPLICANT: WASHINGTON DEPT. of FISH & WILDLIFE
SAMISH LAKE ACCESS ACCESS REPAIR
ADA LOADING PLATFORM SITE & DETAILS
AT: <u>WHATCOM</u> , WASHINGTON
DATE: <u>01/31/2012</u> SHEET <u>6</u> OF <u>11</u>



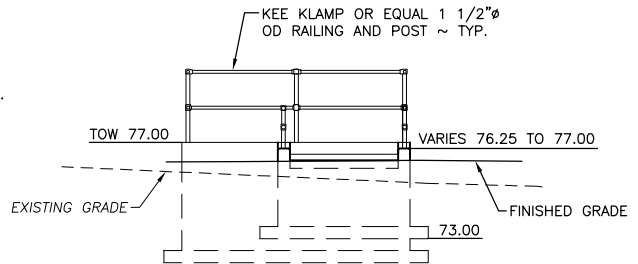
PLAN



ELEVATION



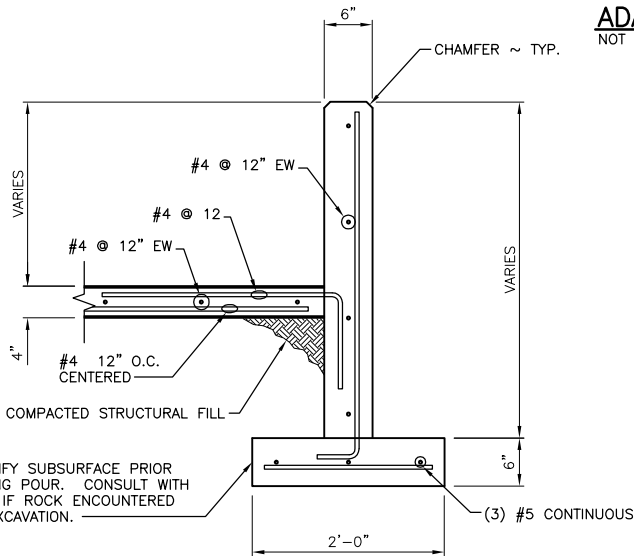
SOUTH END ELEVATION



NORTH END ELEVATION

ADA LOADING PLATFORM PLAN

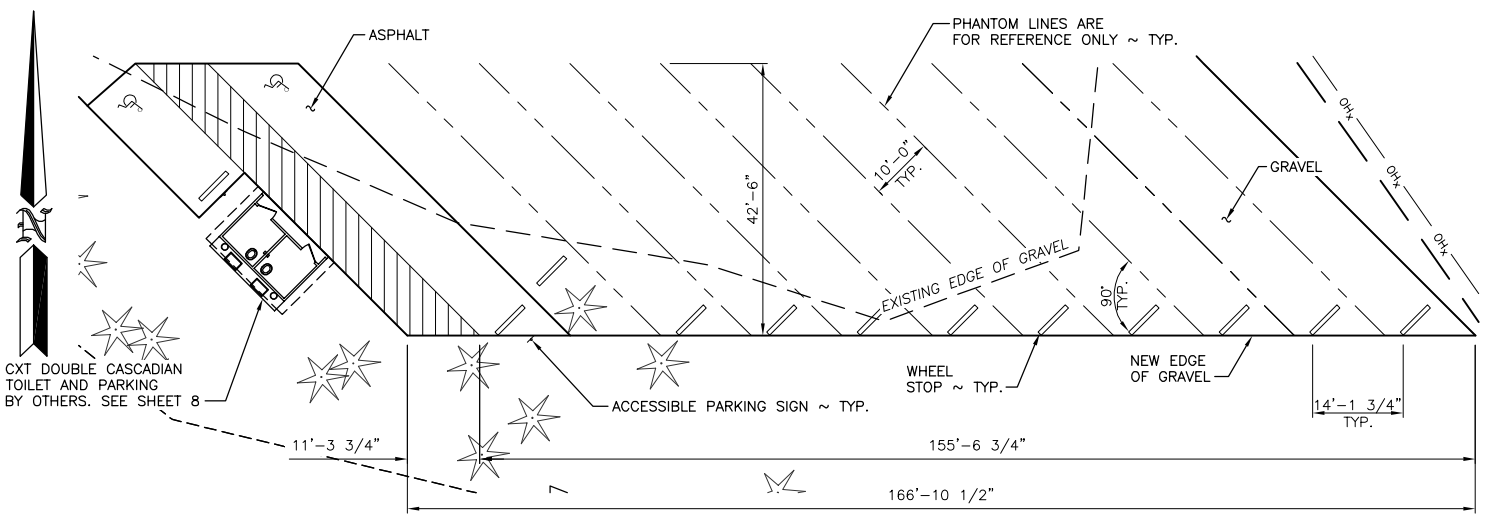
NOT TO SCALE



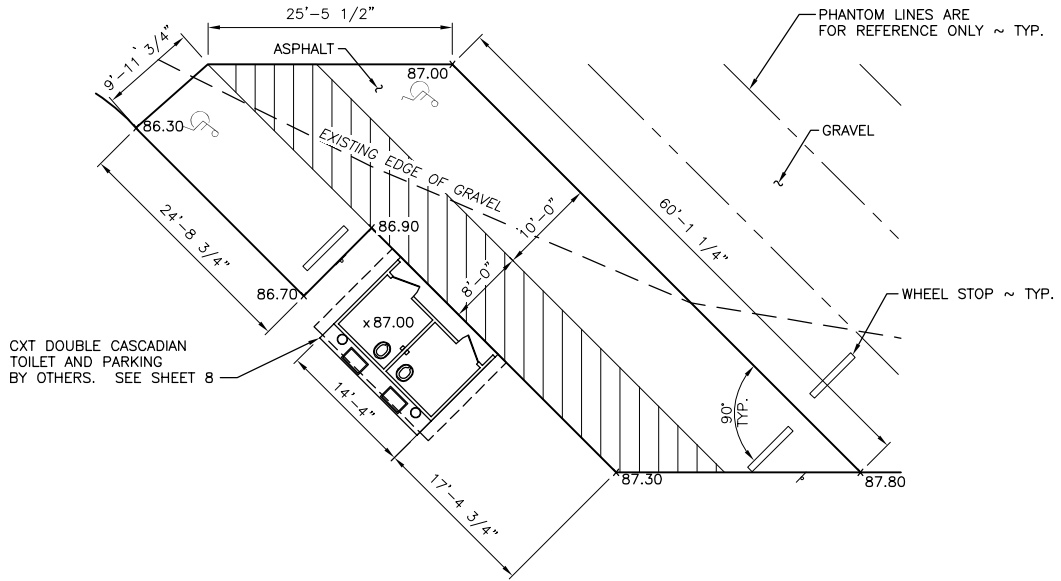
TYPICAL WALL SECTION

NOT TO SCALE

REFERENCE NO. _____
APPLICANT: WASHINGTON DEPT. of FISH & WILDLIFE
SAMISH LAKE ACCESS ACCESS REPAIR
ADA LOADING PLATFORM PLAN & ELEVATIONS
AT: <u>WHATCOM</u> , WASHINGTON
DATE: <u>01/31/2012</u> SHEET <u>7</u> OF <u>11</u>

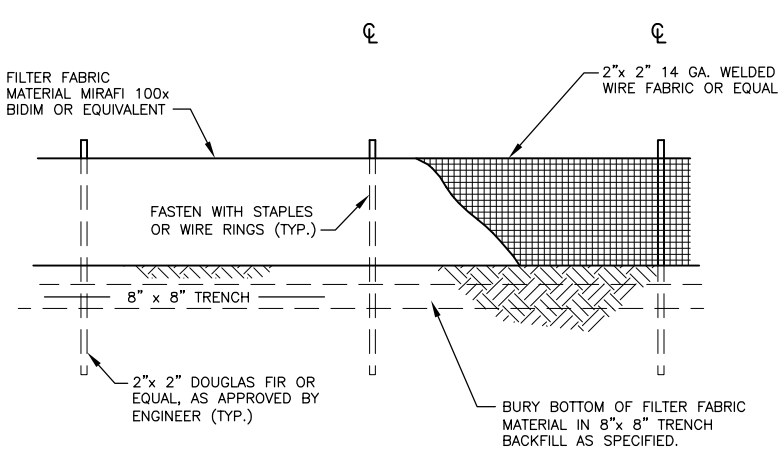


TOILET SITE
SCALE: 1" = 30'



TOILET PLAN
SCALE: 1" = 20'

REFERENCE NO. _____
APPLICANT: WASHINGTON DEPT. of FISH & WILDLIFE
SAMISH LAKE ACCESS ACCESS REPAIR TOILET PLAN
AT: <u>WHATCOM</u> , WASHINGTON
DATE: <u>01/31/2012</u> SHEET 8 OF 11

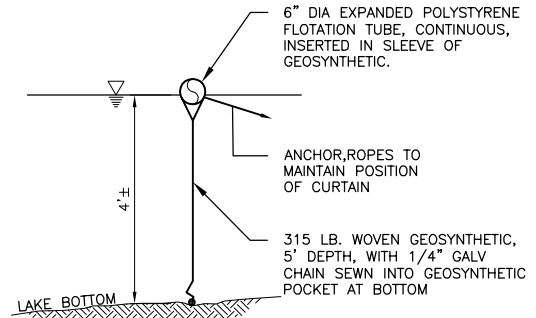


FILTER FABRIC FENCE

SCALE: NONE

FILTER FABRIC NOTES:

1. FILTER FABRIC SHALL BE PURCHASED CONTINUOUS ROLL CUT TO LENGTH OF BARRIER AS NEEDED. IF JOINTS ARE NECESSARY FABRIC SHALL BE SPLICED TOGETHER ONLY AT SUPPORT POSTS WITH A MINIMUM OF (6) INCH OVERLAP. BOTH ENDS SHALL BE SECURED AS REQUIRED.
2. FILTER FABRIC SHALL BE INSTALLED TO FOLLOW CONTOURS. FENCE POSTS SHALL BE SPACED A MAXIMUM OF EIGHT (8) FEET APART UNLESS OTHERWISE SHOWN HEREIN. ALL POSTS SHALL BE DRIVEN INTO THE GROUND A MINIMUM OF 30 INCHES.
3. A TRENCH SHALL BE EXCAVATED, ROUGHLY EIGHT (8) INCHES WIDE BY EIGHT (8) INCHES DEEP UP SLOPE AND ADJACENT TO THE POST TO ALLOW THE FILTER FABRIC TO BE BURIED.
4. WHEN STANDARD STRENGTH FILTER FABRIC IS UTILIZED, A WIRE SINGLE SPACE MESH SUPPORT FENCE SHALL BE FASTENED TO THE UPSLOPE (OR UPSTREAM) SIDE OF THE POSTS USING ONE (1) INCH MINIMUM LENGTH WIRE STAPLES, TIE WIRE OR APPROVED HOG RINGS. ALL WIRE SUPPORT SHALL EXTEND INTO THE TRENCH A MINIMUM OF FOUR (4) INCHES AND SHALL NOT EXTEND MORE THAN 36 INCHES ABOVE ORIGINAL GRADE.
5. ALL FILTER FABRIC SHALL BE STAPLED OR WIRED TO SUPPORT FENCING AND A MINIMUM OF 20 INCHES OF FABRIC SHALL BE EXTENDED INTO THE TRENCH. FILTER FABRIC SHALL NOT BE STAPLED OR FASTENED TO EXISTING TREES OR STRUCTURES UNLESS OTHERWISE APPROVED BY THE ENGINEER.
6. IF HIGH STRENGTH FILTER FABRIC AND CLOSER SPACING ARE USED, THE WIRE SUPPORT FENCING MAY BE ELIMINATED. HIGH STRENGTH FABRIC SHALL BE STAPLED OR WIRED DIRECTLY TO POSTS AS REQUIRED BY THE ENGINEER.
7. CUTOFF TRENCH SHALL BE BACKFILLED WITH 3/4 INCH MINIMUM DIAMETER WASHED GRAVEL OR OTHER SIMILAR SOURCE AS APPROVED BY THE ENGINEER.
8. FILTER FENCING SHALL BE INSTALLED WHERE SHOWN ON THE PLAN, OR AS MARKED IN THE FIELD BY THE ENGINEER, PRIOR TO COMMENCEMENT OF WORK. ALL FENCING SHALL BE INSPECTED DAILY DURING CONSTRUCTION AND AFTER EACH SIGNIFICANT RAINFALL EVENT UNTIL SITE HAS BEEN PERMANENTLY STABILIZED. ANY REQUIRED REPAIRS SHALL BE MADE IMMEDIATELY.
9. REMOVAL OF TRAPPED SEDIMENT SHALL BE PERFORMED WHEN AMOUNTS REACH APPROXIMATELY 1/3 HEIGHT OF THE FENCE.
10. FILTER FENCING SHALL REMAIN IN-PLACE UNTIL SITE HAS BEEN REVEGETATED TO ORIGINAL CONDITION OR DIRECTED BY THE ENGINEER.

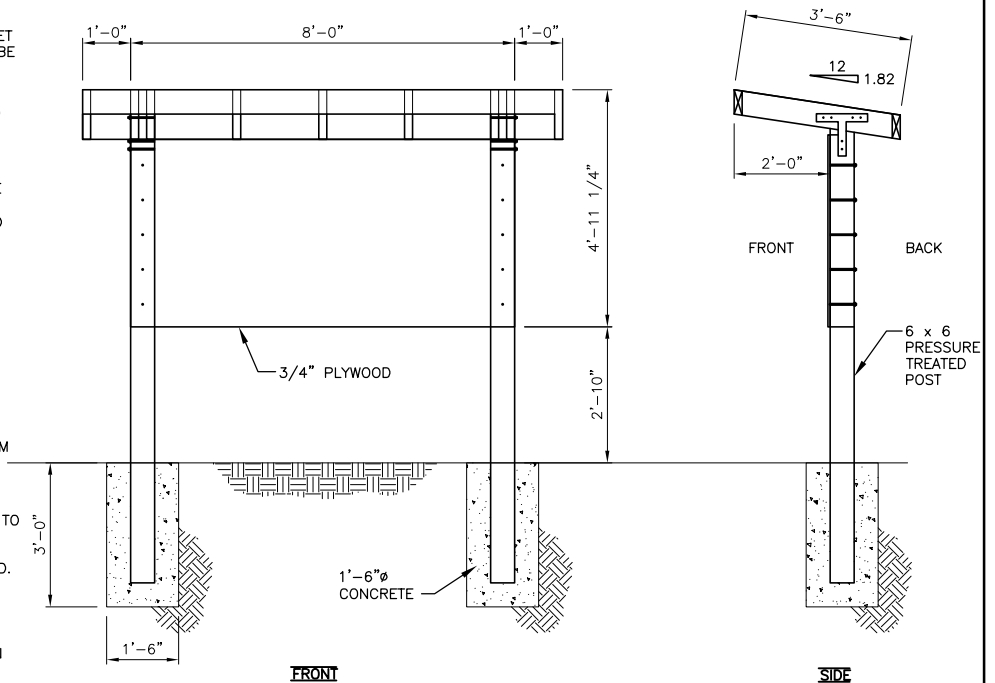


NOTES:

1. SILT CURTAIN AVAILABLE FROM NORTHWEST LININGS, KENT, WA.
2. GEOSYNTHETIC SHALL BE PERMEATEX 2315 OR EQUAL.

TURBIDITY CURTAIN

NOT TO SCALE



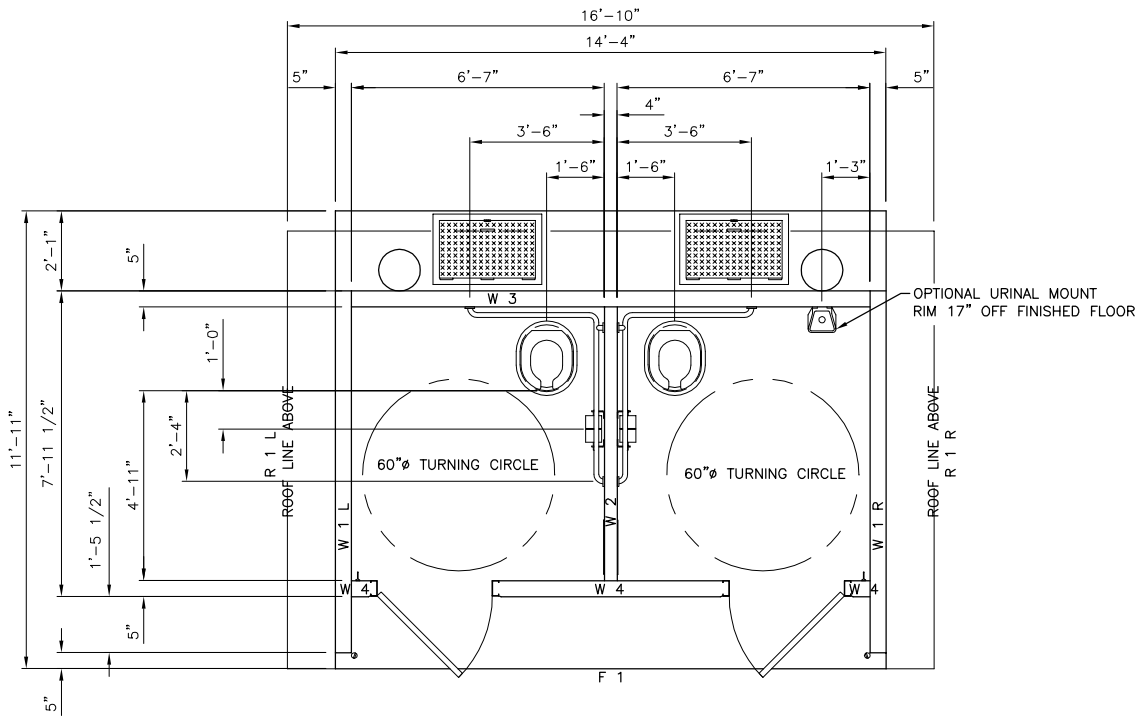
INFORMATION KIOSK #BBK-2

NOT TO SCALE

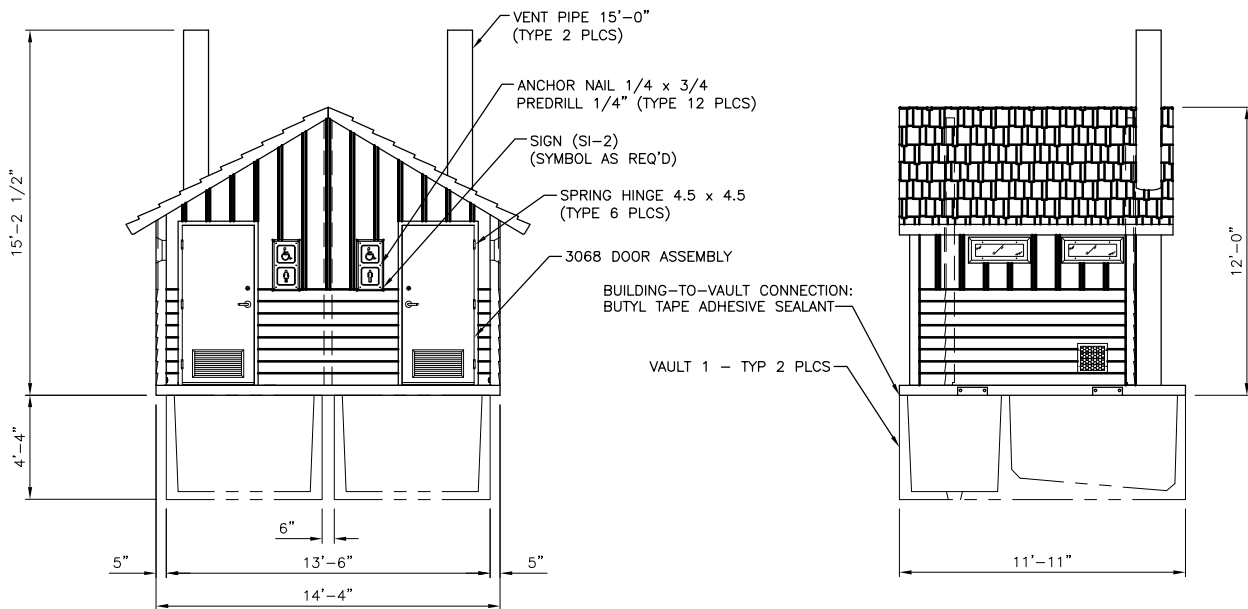
NOTE:

1. POST TO BE PLUMB AND LEVEL ALL DIRECTIONS
2. ASSEMBLY OF POSTS, PLYWOOD, ROOF AND INSTALLATION BY CONTRACTOR.
3. KIOSK PACKAGE BBK-2 TO BE PROVIDED BY OTHERS

REFERENCE NO. _____
APPLICANT: WASHINGTON DEPT. of FISH & WILDLIFE
SAMISH LAKE ACCESS ACCESS REPAIR
SILT FENCE, TURBIDITY CURTAIN, & KIOSK
AT: WHATCOM _____, WASHINGTON
DATE: 01/31/2012 SHEET 9 OF 11



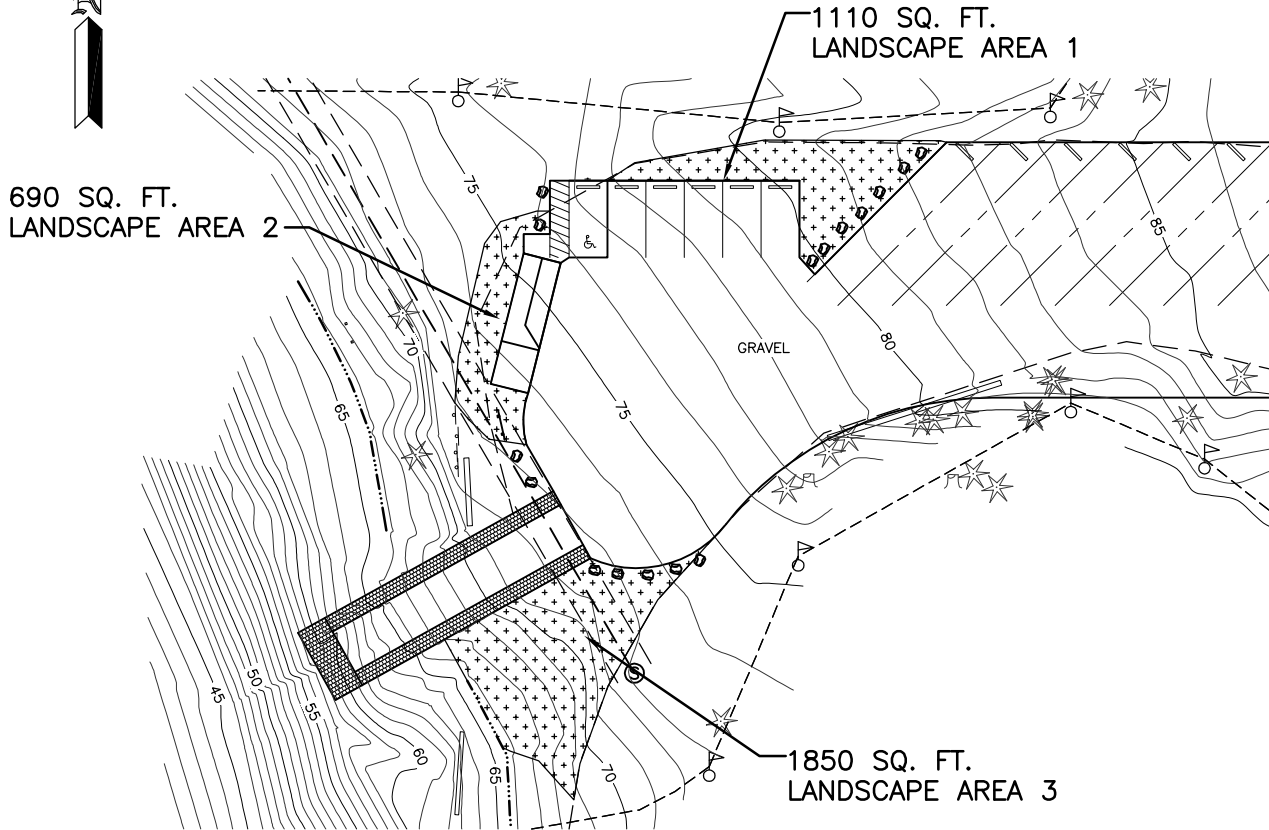
TOILET DETAIL
SCALE: 1" = 5'



FRONT ELEVATION
SCALE: 1" = 8'

SIDE ELEVATION
SCALE: 1" = 8'

REFERENCE NO. _____
APPLICANT: WASHINGTON DEPT. of FISH & WILDLIFE
SAMISH LAKE ACCESS ACCESS REPAIR TOILET DETAIL & ELEVATIONS
AT: WHATCOM _____, WASHINGTON
DATE: 01/31/2012 SHEET 10 OF 11



PLANTING PLAN

SCALE: 1" = 50'

PLANTING SCHEDULE

TYPE OF PLANT	LANDSCAPE AREA 1	LANDSCAPE AREA 2	TOTAL
ELDERBERRY	30	20	50
FERN	30	20	50
SALMONBERRY	30	20	50
SALAL	30	20	50

- NOTE:**
1. PLANT LANDSCAPE AREA 3 WITH NATIVE SHORT GRASS SEED ABOVE ELEV. 68
 2. REMOVE GRAVEL AND FILL WITH MULCH AUGMENTED TOP SOIL
 3. ALL PLANTS SPACED 3' O.C.

REFERENCE NO. _____
APPLICANT: WASHINGTON DEPT. of FISH & WILDLIFE
SAMISH LAKE ACCESS ACCESS REPAIR PLANTING PLAN
AT: <u>WHATCOM</u> , WASHINGTON
DATE: <u>01/31/2012</u> SHEET <u>11</u> OF <u>11</u>