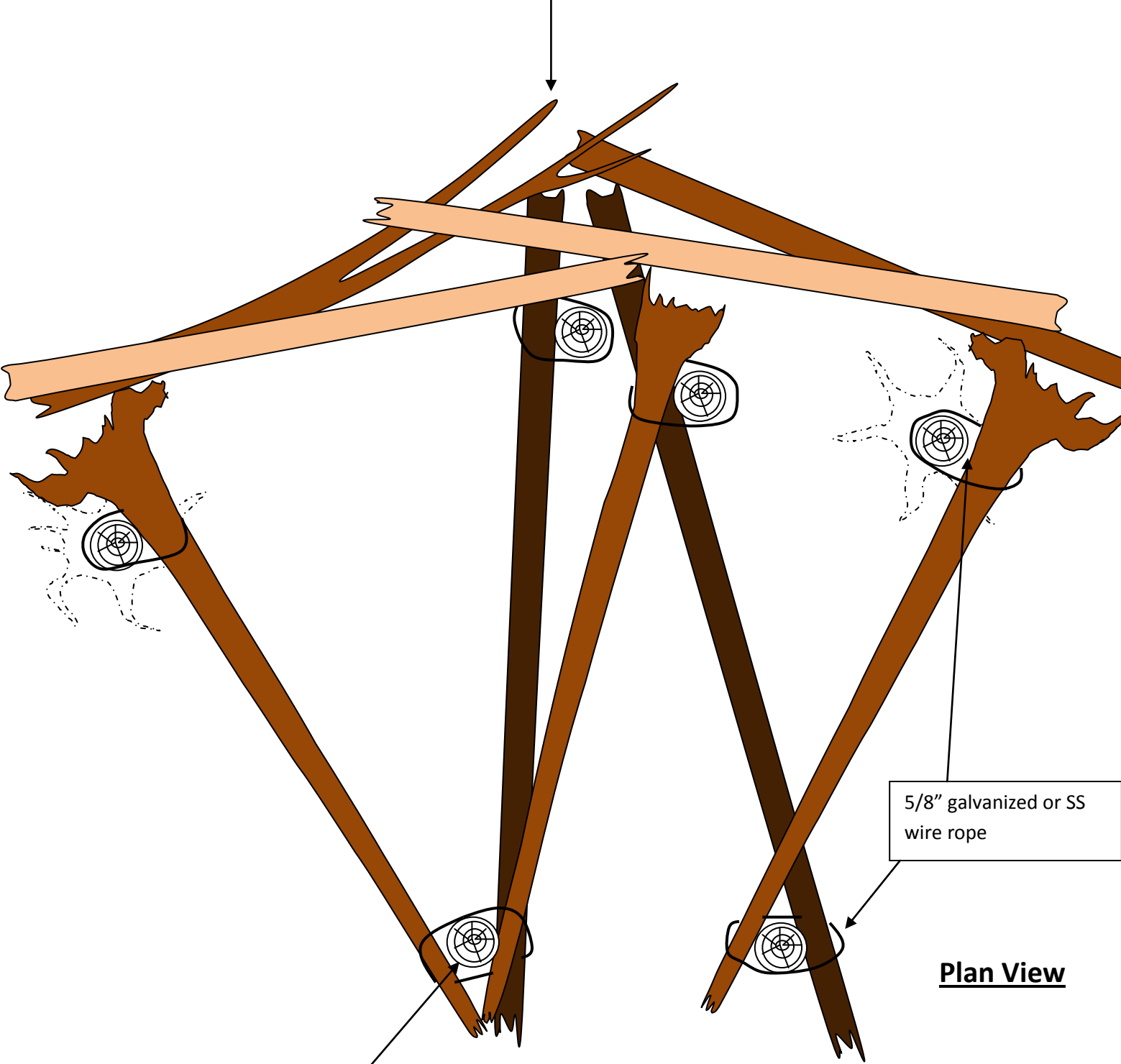


# Structure # 58 (Floodplain Debris-Catcher)

Type A



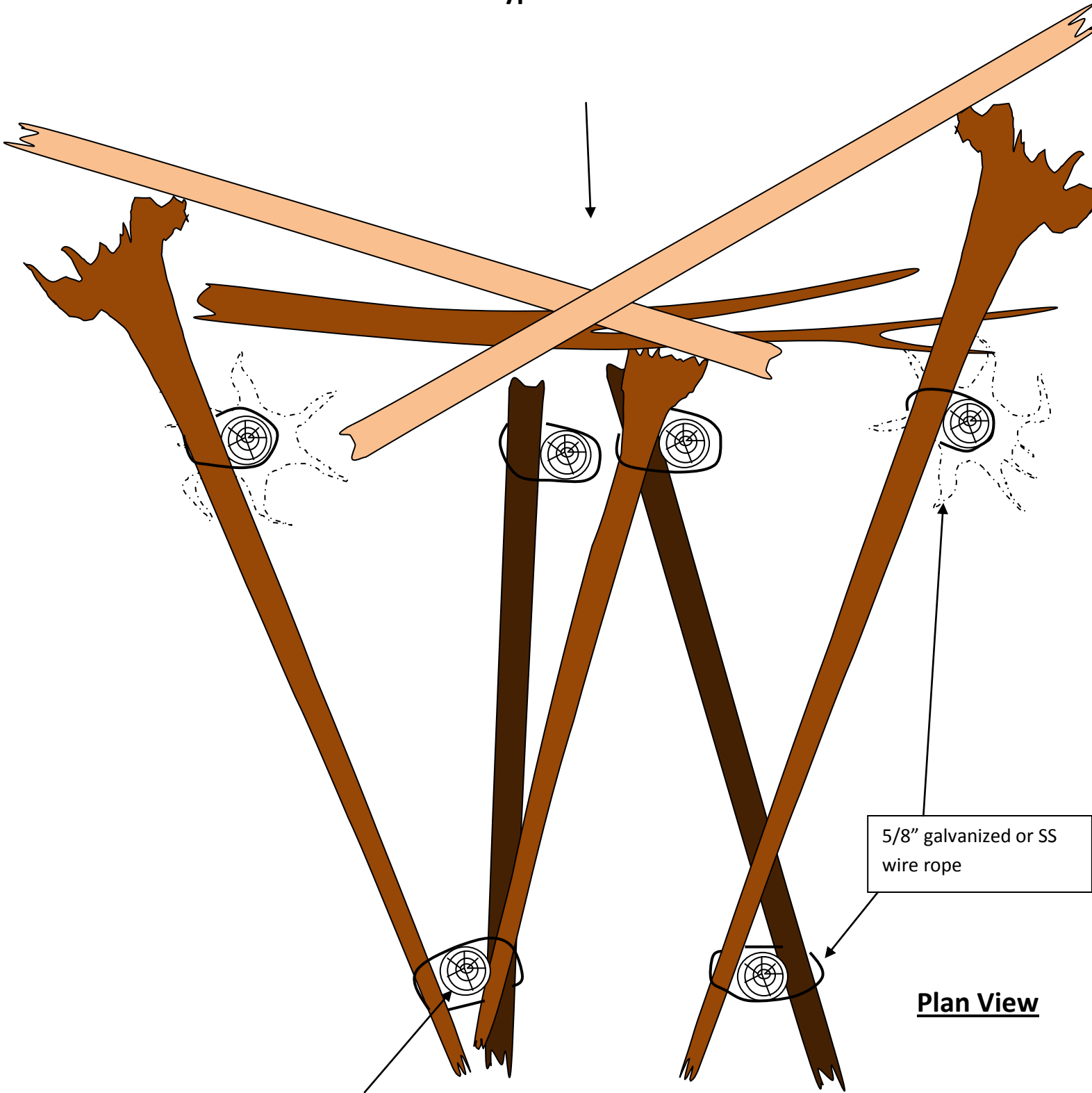
5/8" galvanized or SS  
wire rope

**Plan View**

Driven or buried log piling, minimum  
diameter 14"

# Structure # 49 (Floodplain Debris-Catcher)

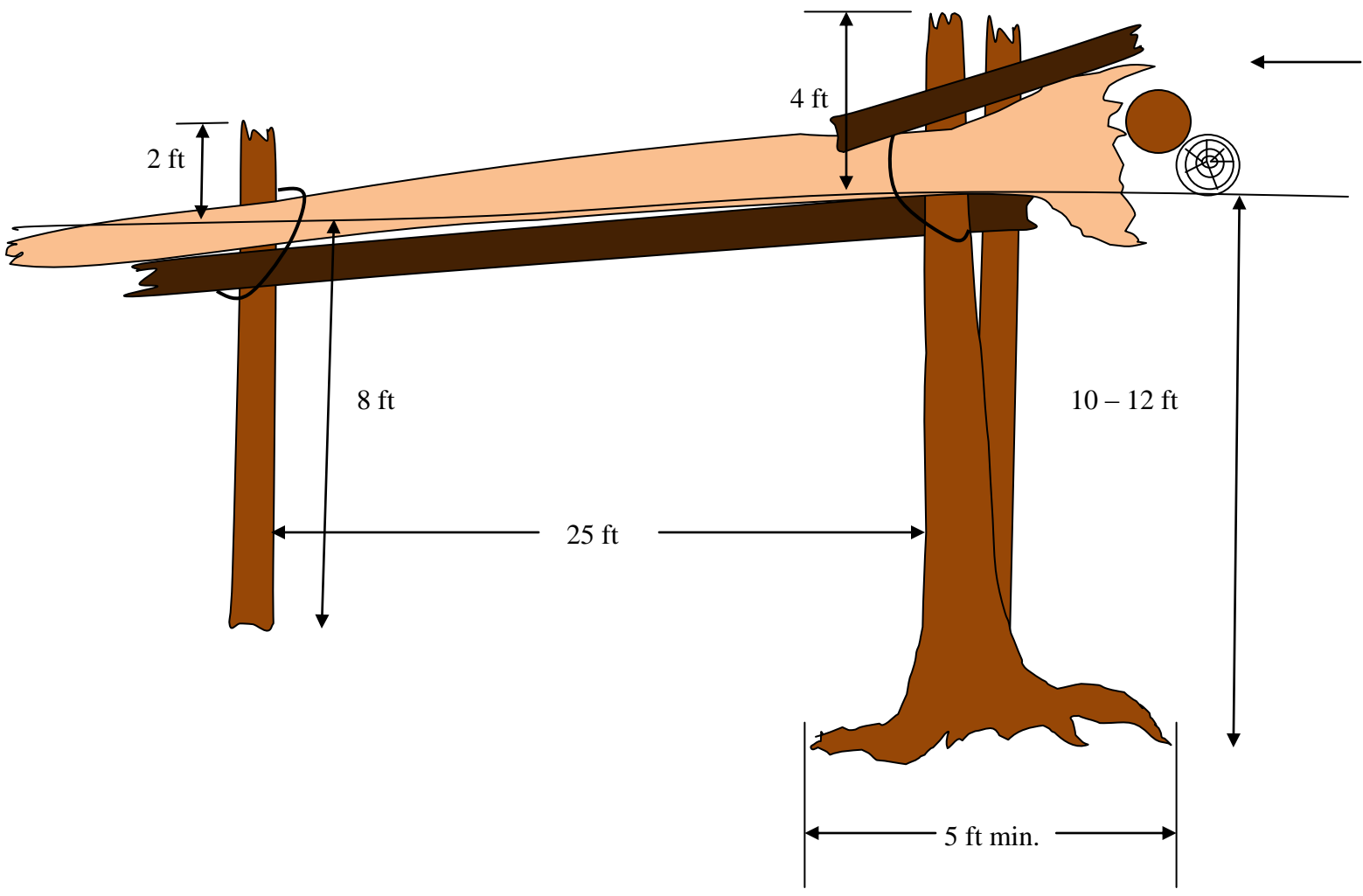
Type V



5/8" galvanized or SS  
wire rope

**Plan View**

Driven or buried log piling, minimum  
diameter 14"



**Profile**

