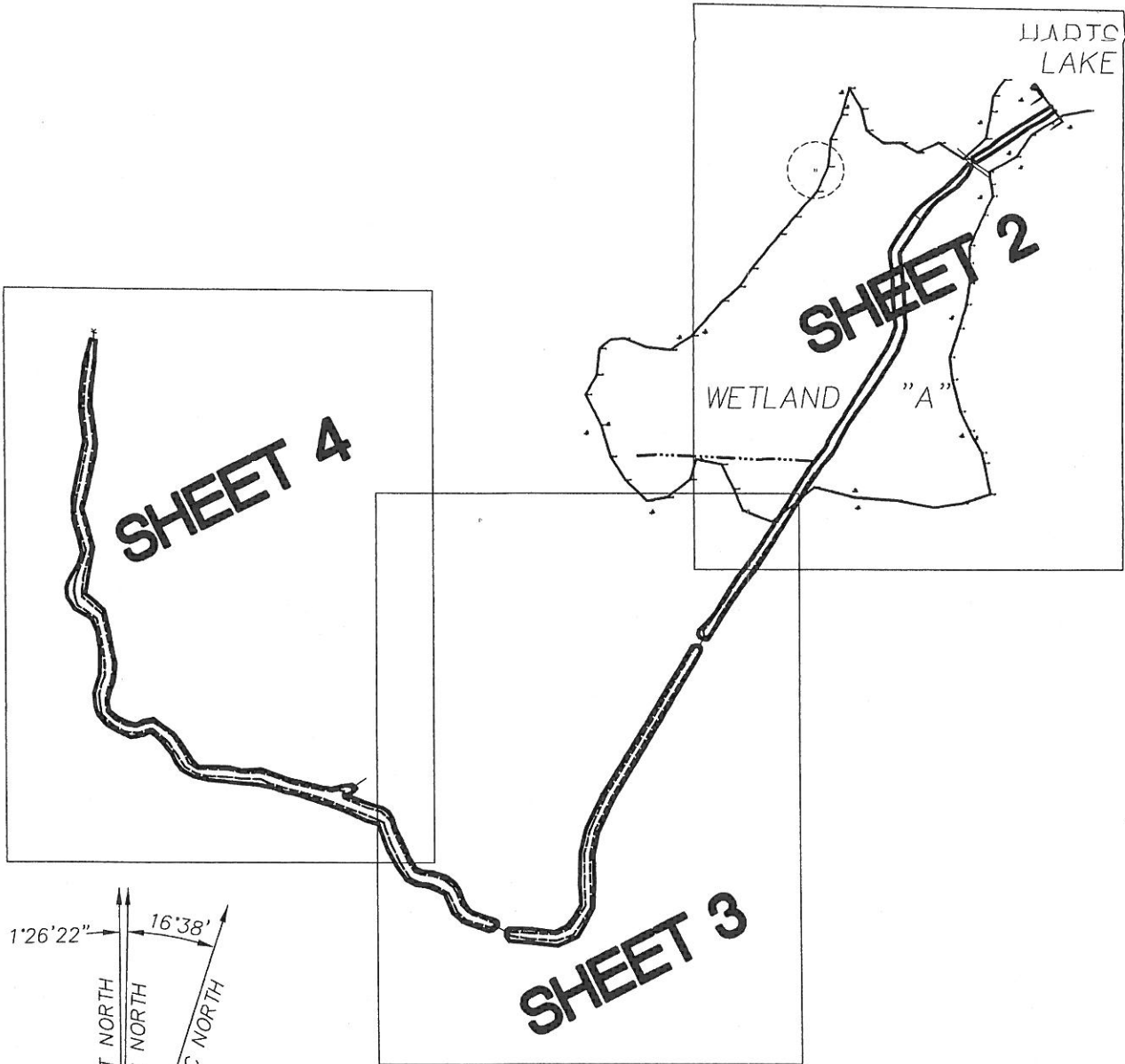


SHEET INDEX

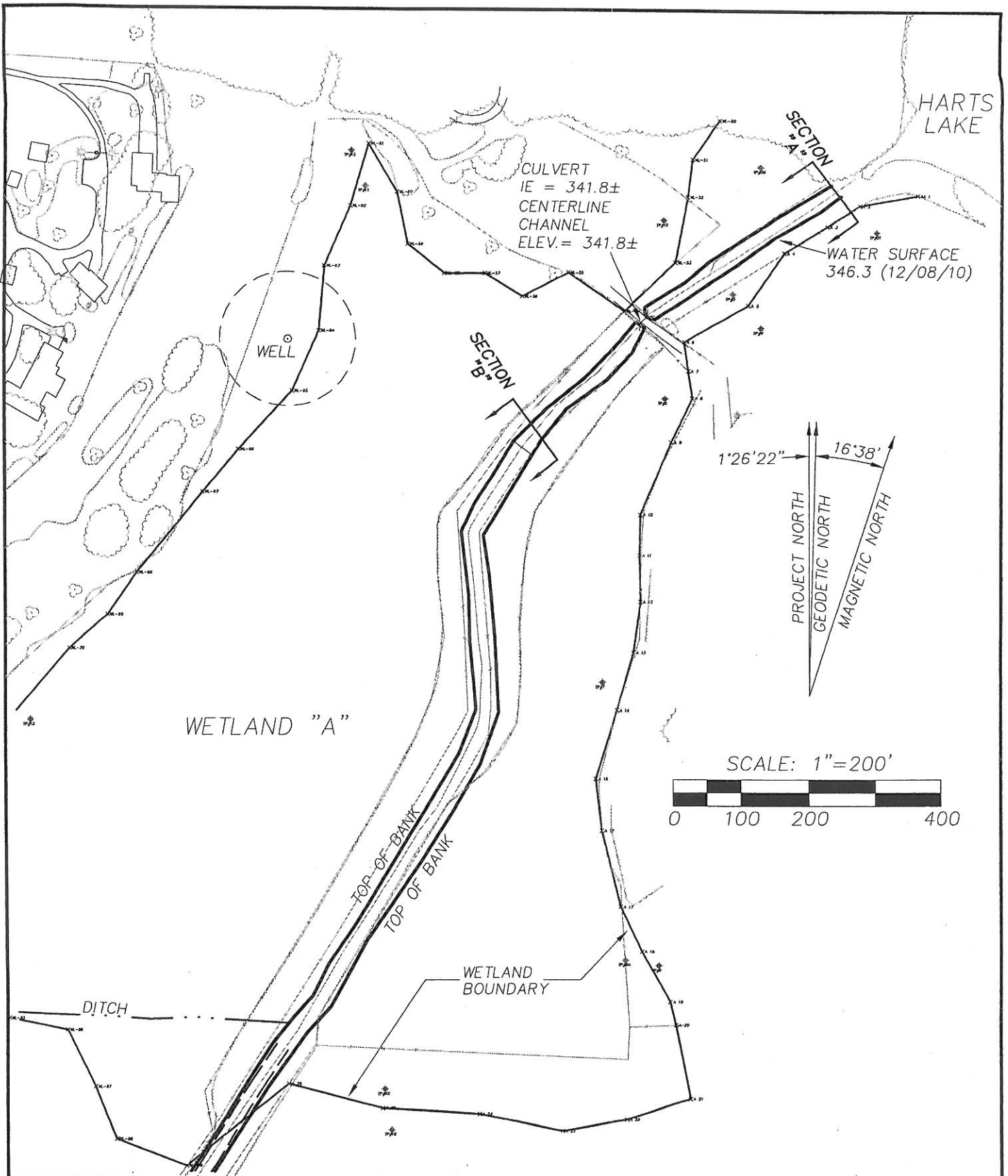


**PROPOSED PROJECT: WILCOX FARMS DITCH
MAINTENANCE PLAN**
IN: HARTS LAKE VICINITY
NEAR/AT: TOWN OF ROY; COUNTY: PIERCE; STATE: WA
APPLICANT: WILCOX FARMS, INC.
REFERENCE NUMBER: NWS
PROJECT LOCATION: 40400 HARTS LAKE VALLEY ROAD
ROY, WA 98580-9182

LAT/LONG:
DATUM:
SHEET 1 OF 5 SHEETS

DATE: MARCH 4, 2011

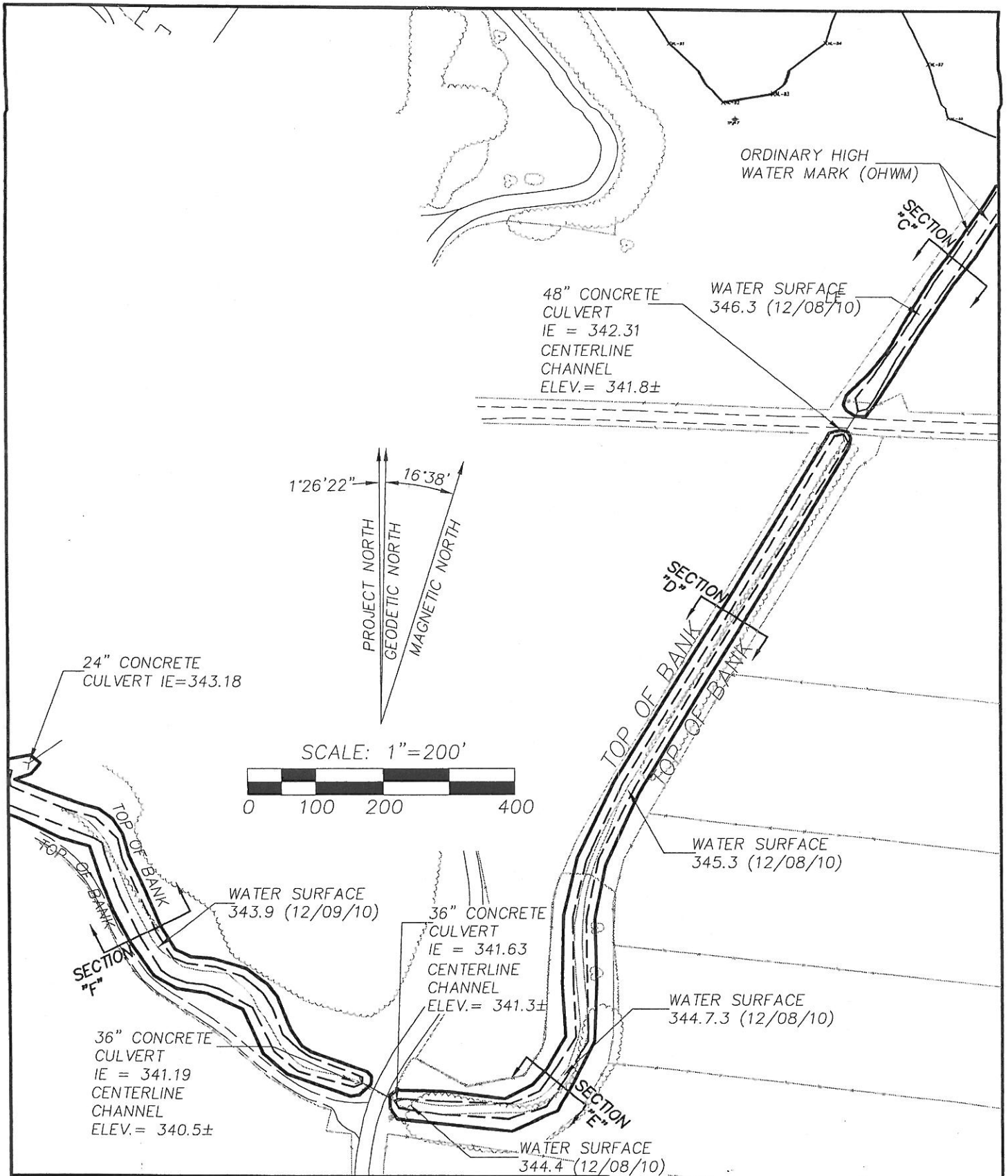
LARSON and ASSOCIATES
Land Surveyors & Engineers, Inc.
4401 So. 66th ST. TACOMA, WA. 98409 (253) 474-3404



DA REFERENCE NUMBER: NWS
 APPLICANT NAME: WILCOX FARMS, INC.
 PROPOSED PROJECT: WILCOX FARMS DITCH
 MAINTENANCE PLAN
 LOCATION: 40400 HARTS LAKE VALLEY ROAD
 ROY, WA 98580-9182
 SHEET 2 OF 5 SHEETS

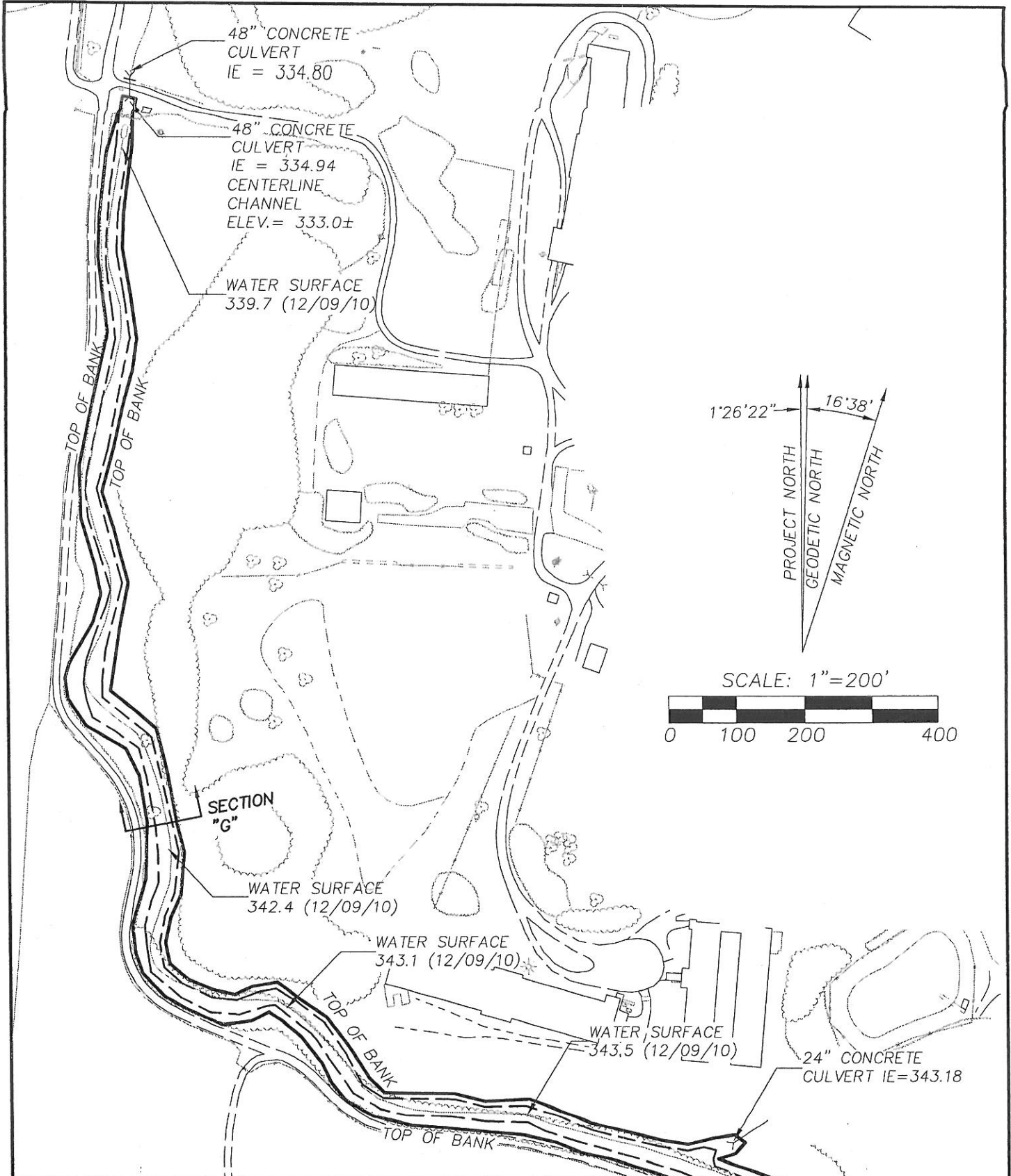
DATE: MARCH 4, 2011

LARSON and ASSOCIATES
 Land Surveyors & Engineers, Inc.
 4401 So. 66th ST. TACOMA, WA. 98409 (253) 474-3404



DA REFERENCE NUMBER: NWS
 APPLICANT NAME: WILCOX FARMS, INC.
 PROPOSED PROJECT: WILCOX FARMS DITCH
 MAINTENANCE PLAN
 LOCATION: 40400 HARTS LAKE VALLEY ROAD
 ROY, WA 98580-9182
 SHEET 3 OF 5 SHEETS DATE: MARCH 4, 2011

LARSON and ASSOCIATES
 Land Surveyors & Engineers, Inc.
 4401 So. 66th ST. TACOMA, WA. 98409 (253) 474-3404



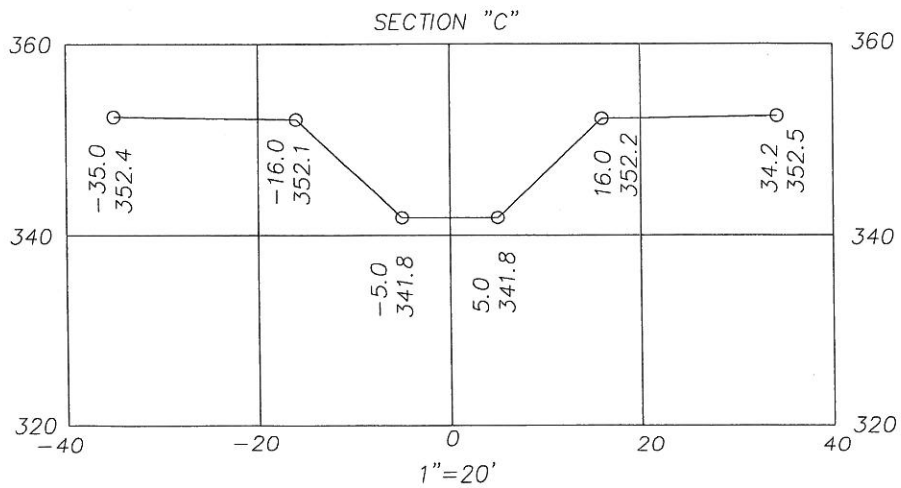
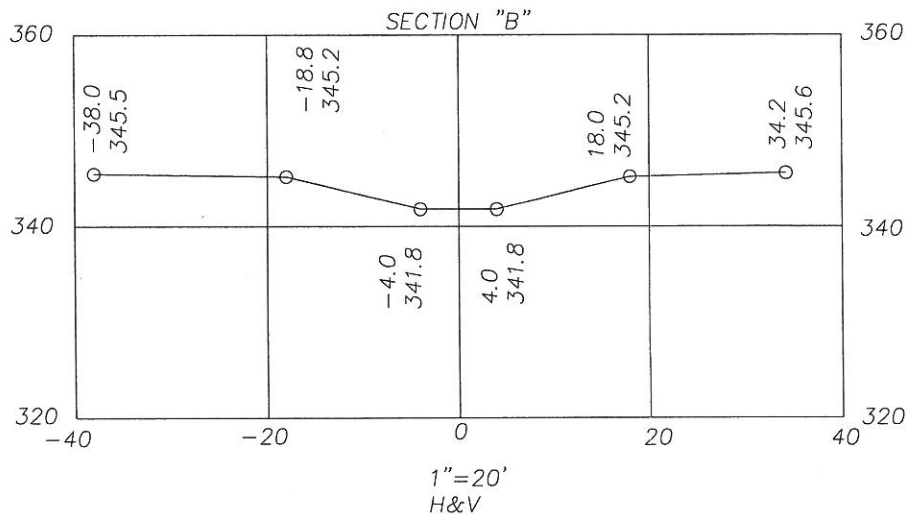
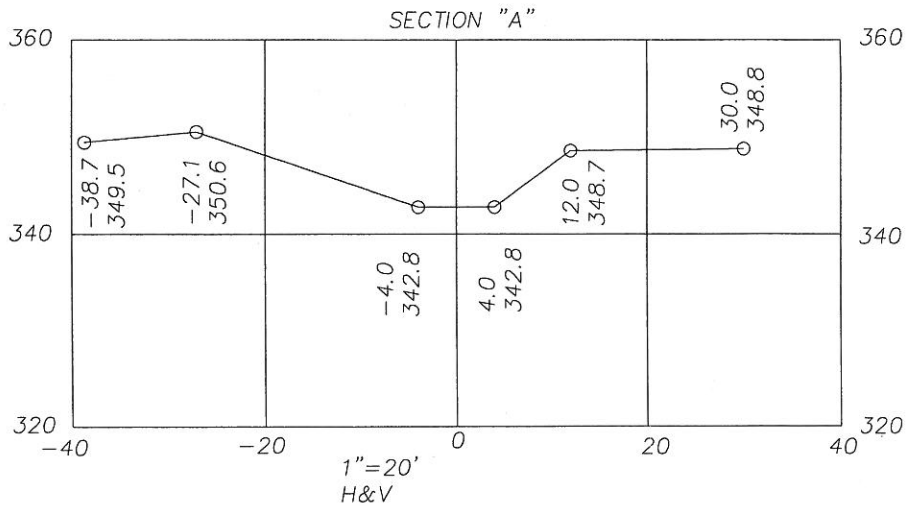
DA REFERENCE NUMBER: NWS
 APPLICANT NAME: WILCOX FARMS, INC.
 PROPOSED PROJECT: WILCOX FARMS DITCH
 MAINTENANCE PLAN
 LOCATION: 40400 HARTS LAKE VALLEY ROAD
 ROY, WA 98580-9182
 SHEET 4 OF 5 SHEETS

DATE: MARCH 4, 2011

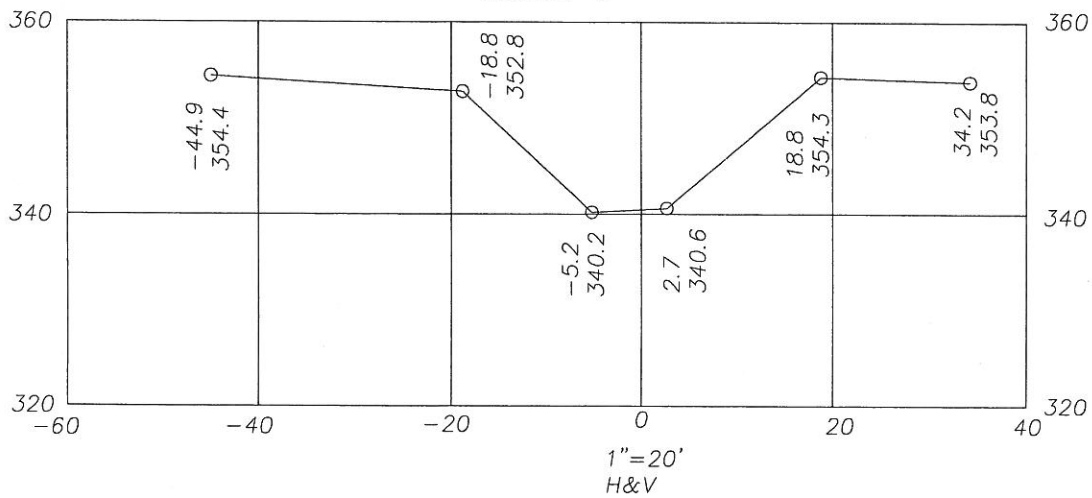
LARSON and ASSOCIATES

Land Surveyors & Engineers, Inc.

4401 So. 66th ST. TACOMA, WA. 98409 (253) 474-3404



SECTION "D"



SECTION "E"

