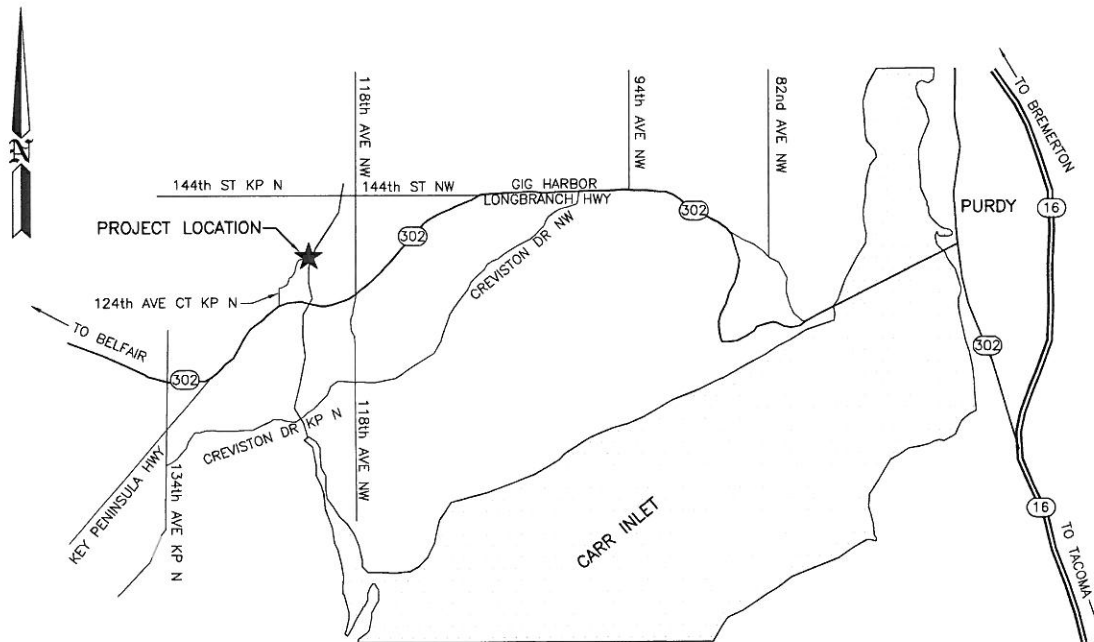




**STATE MAP**

NOT TO SCALE



**VICINITY MAP**

NOT TO SCALE

PARCEL # 0122201059  
 PROPERTY AREA: 12.8 AC  
 PORTION OF: SEC 20, T22N, R1E

ENG. PROJECT NO. PE:H42:12-2

REFERENCE NUMBER:  
 APPLICANT:  
 WASHINGTON DEPT. of FISH & WILDLIFE  
 600 CAPITOL WAY N.  
 OLYMPIA, WA 98501-1091

PROJECT LOCATION (ADDRESS):  
 HUPP SPRINGS HATCHERY  
 13827 124th AVE CT NW  
 GIG HARBOR, WA 98329

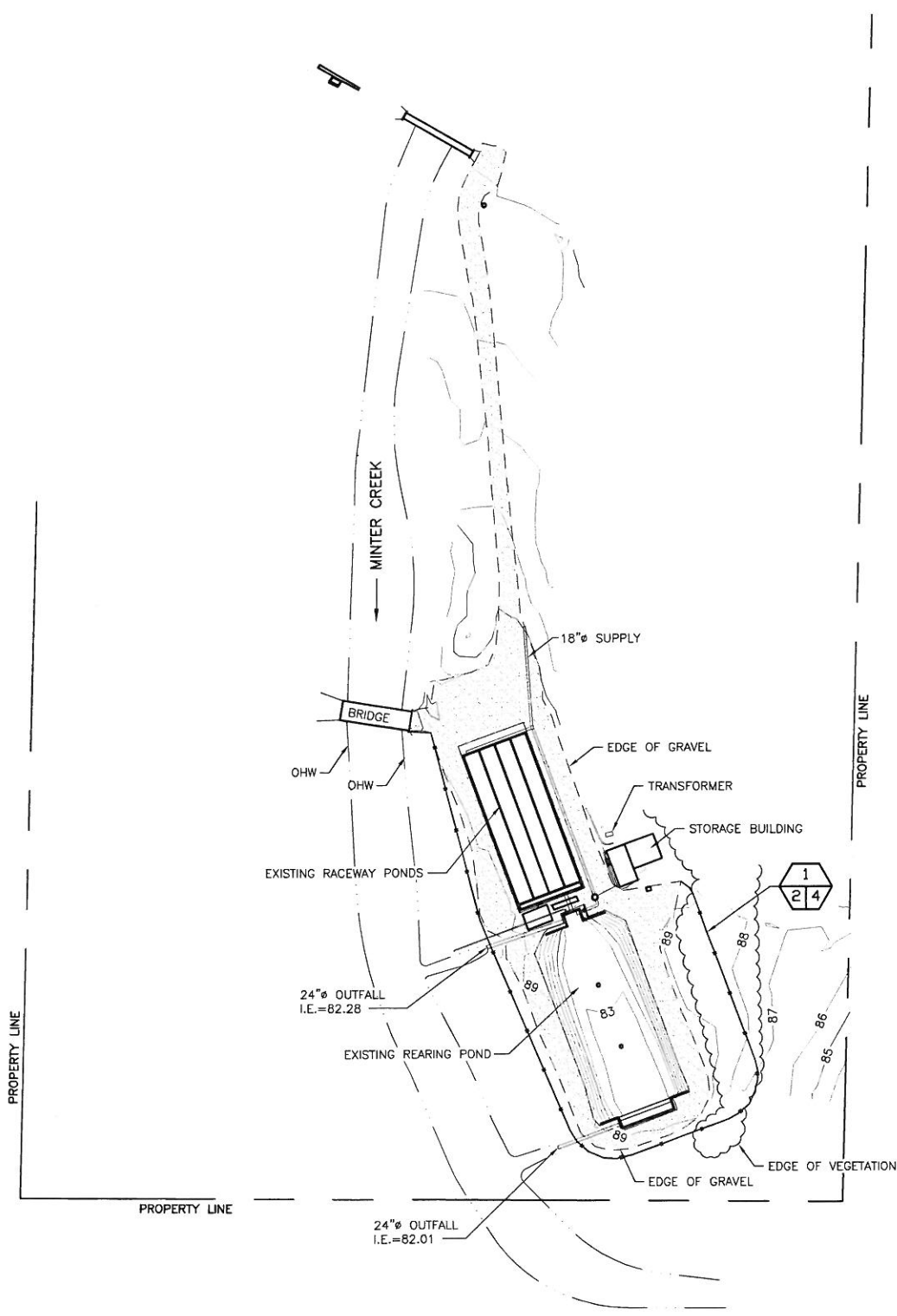
PROPOSED PROJECT:  
 RENOVATION OF HATCHERY PONDS  
 POLLUTION ABATEMENT AND REARING  
 PONDS

ADJACENT PROPERTY OWNER:

- 1.
- 2.

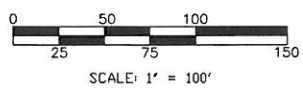
LAT/LONG: 47° 23' 1" N/122° 41' 59" W  
 DATUM: ASSUMED  
 SHEET 1 OF 6 DATE: 10/10/2012

IN: MINTER CREEK  
 NEAR/AT: PURDY  
 COUNTY: PIERCE  
 STATE: WA

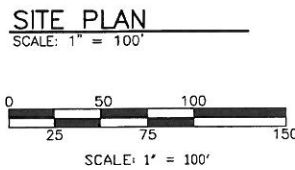
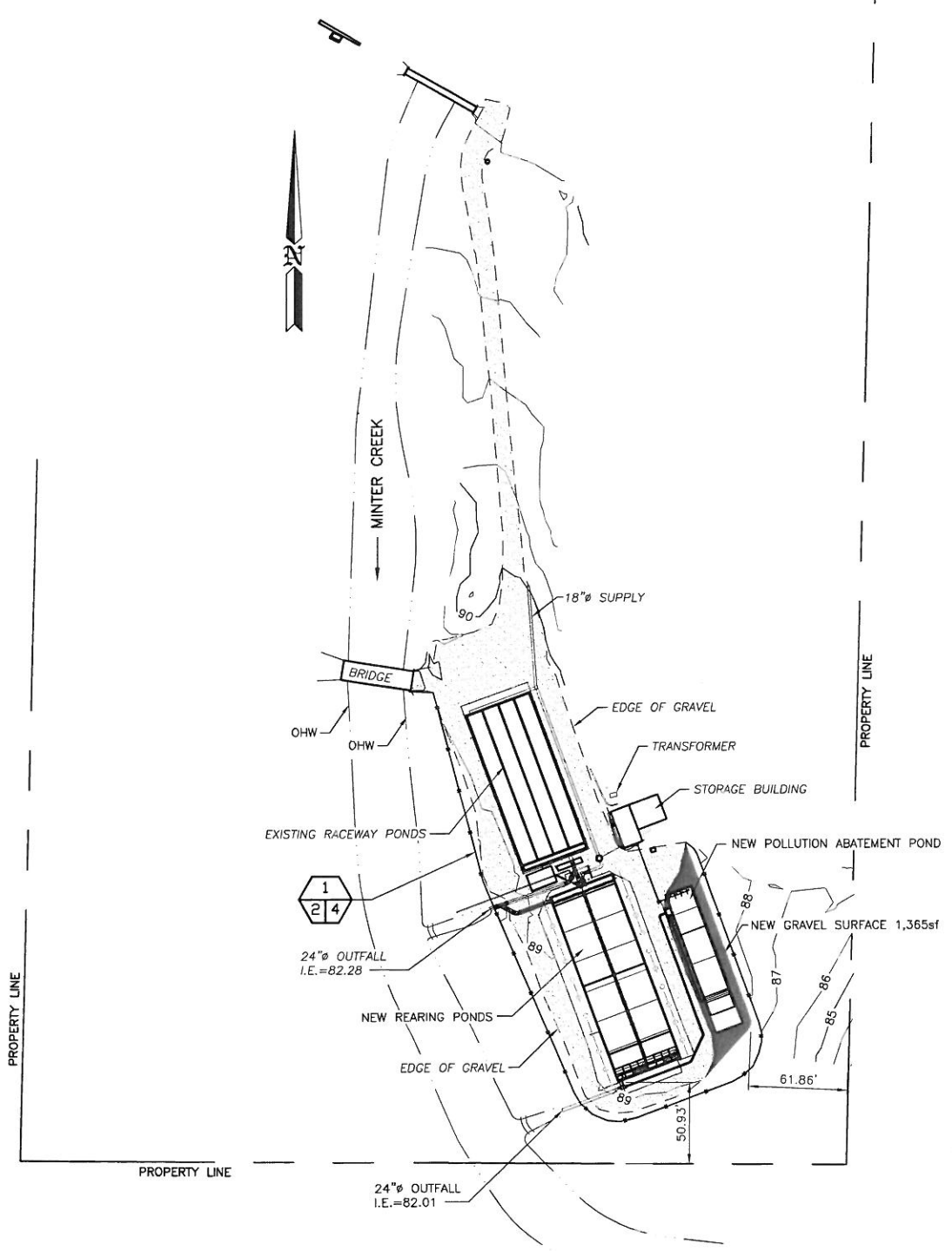


**EXISTING SITE PLAN**

SCALE: 1" = 100'

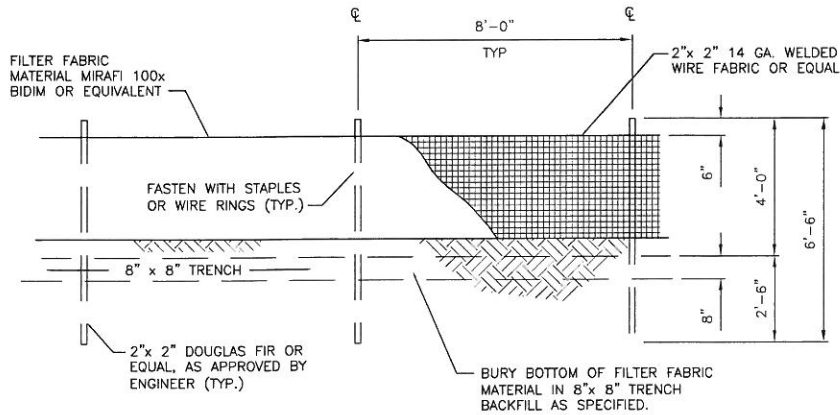


REFERENCE NUMBER:  
 APPLICANT NAME:  
 WASHINGTON DEPT. of FISH & WILDLIFE  
 PROPOSED PROJECT:  
 POLLUTION ABATEMENT AND REARING PONDS  
 LOCATION: HUPP SPRINGS HATCHERY  
 SHEET 2 OF 6 DATE: 10/10/2012



CUT AND FILL DATA	
CUT	FILL
1210	1380
TOTAL NET	170cy (FILL)
NEW IMPERVIOUS	3,000sf

REFERENCE NUMBER:  
 APPLICANT NAME:  
 WASHINGTON DEPT. of FISH & WILDLIFE  
 PROPOSED PROJECT:  
 POLLUTION ABATEMENT AND REARING PONDS  
 LOCATION: HUPP SPRINGS HATCHERY  
 SHEET 3 OF 6 DATE: 10/10/2012



**FILTER FABRIC FENCE**

SCALE: NONE



**FILTER FABRIC NOTES:**

1. FILTER FABRIC SHALL BE PURCHASED CONTINUOUS ROLL CUT TO LENGTH OF BARRIER AS NEEDED. IF JOINTS ARE NECESSARY FABRIC SHALL BE SPLICED TOGETHER ONLY AT SUPPORT POSTS WITH A MINIMUM OF (6) INCH OVERLAP. BOTH ENDS SHALL BE SECURED AS REQUIRED.
2. FILTER FABRIC SHALL BE INSTALLED TO FOLLOW CONTOURS. FENCE POSTS SHALL BE SPACED A MAXIMUM OF EIGHT (8) FEET APART UNLESS OTHERWISE SHOWN HEREIN. ALL POSTS SHALL BE DRIVEN INTO THE GROUND A MINIMUM OF 30 INCHES.
3. A TRENCH SHALL BE EXCAVATED, ROUGHLY EIGHT (8) INCHES WIDE BY EIGHT (8) INCHES DEEP UP SLOPE AND ADJACENT TO THE POST TO ALLOW THE FILTER FABRIC TO BE BURIED.
4. WHEN STANDARD STRENGTH FILTER FABRIC IS UTILIZED, A WIRE SINGLE SPACE MESH SUPPORT FENCE SHALL BE FASTENED TO THE UPSLOPE (OR UPSTREAM) SIDE OF THE POSTS USING ONE (1) INCH MINIMUM LENGTH WIRE STAPLES, TIE WIRE OR APPROVED HOG RINGS. ALL WIRE SUPPORT SHALL EXTEND INTO THE TRENCH A MINIMUM OF FOUR (4) INCHES AND SHALL NOT EXTEND MORE THAN 36 INCHES ABOVE ORIGINAL GRADE.
5. ALL FILTER FABRIC SHALL BE STAPLED OR WIRED TO SUPPORT FENCING AND A MINIMUM OF 20 INCHES OF FABRIC SHALL BE EXTENDED INTO THE TRENCH. FILTER FABRIC SHALL NOT BE STAPLED OR FASTENED TO EXISTING TREES OR STRUCTURES UNLESS OTHERWISE APPROVED BY THE ENGINEER.
6. IF HIGH STRENGTH FILTER FABRIC AND CLOSER SPACING ARE USED, THE WIRE SUPPORT FENCING MAY BE ELIMINATED. HIGH STRENGTH FABRIC SHALL BE STAPLED OR WIRED DIRECTLY TO POSTS AS REQUIRED BY THE ENGINEER.
7. CUTOFF TRENCH SHALL BE BACKFILLED WITH 3/4 INCH MINIMUM DIAMETER WASHED GRAVEL OR OTHER SIMILAR SOURCE AS APPROVED BY THE ENGINEER.
8. FILTER FENCING SHALL BE INSTALLED WHERE SHOWN ON THE PLAN, OR AS MARKED IN THE FIELD BY THE ENGINEER, PRIOR TO COMMENCEMENT OF WORK. ALL FENCING SHALL BE INSPECTED DAILY DURING CONSTRUCTION AND AFTER EACH SIGNIFICANT RAINFALL EVENT UNTIL SITE HAS BEEN PERMANENTLY STABILIZED. ANY REQUIRED REPAIRS SHALL BE MADE IMMEDIATELY.
9. REMOVAL OF TRAPPED SEDIMENT SHALL BE PERFORMED WHEN AMOUNTS REACH APPROXIMATELY 1/3 HEIGHT OF THE FENCE.
10. FILTER FENCING SHALL REMAIN IN-PLACE UNTIL SITE HAS BEEN REVEGETATED TO ORIGINAL CONDITION OR DIRECTED BY THE ENGINEER.

REFERENCE NUMBER:

APPLICANT NAME:

WASHINGTON DEPT. of FISH & WILDLIFE

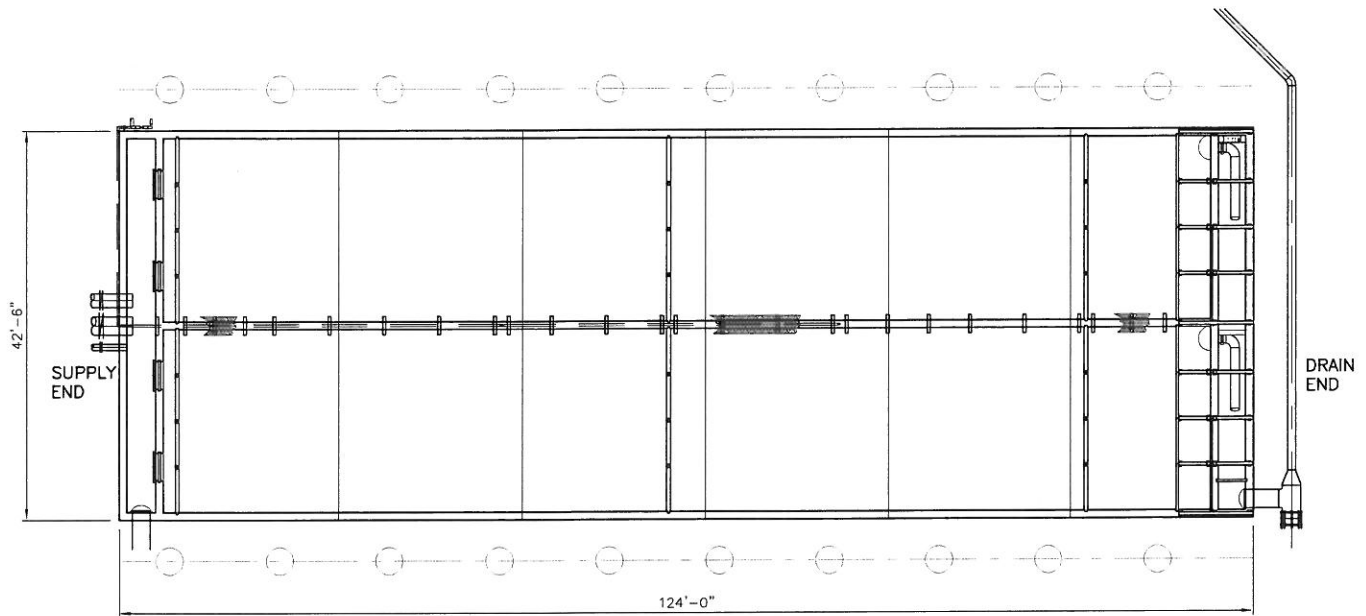
PROPOSED PROJECT:

POLLUTION ABATEMENT AND REARING PONDS

LOCATION: HUPP SPRINGS HATCHERY

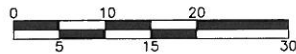
SHEET 4 OF 6

DATE: 10/10/2012

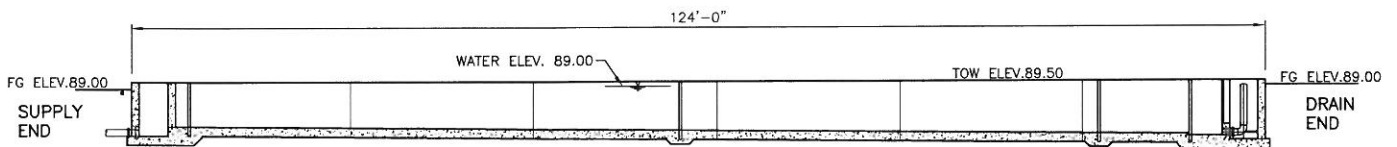


**REARING POND PLAN**

SCALE: 1" = 20'-0"



SCALE: 1" = 20'



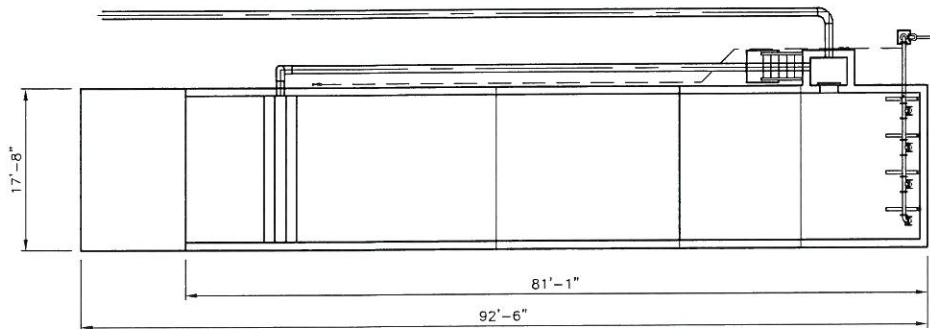
**REARING POND ELEVATION**

SCALE: 1" = 20'-0"



SCALE: 1" = 20'

REFERENCE NUMBER:  
 APPLICANT NAME:  
 WASHINGTON DEPT. of FISH & WILDLIFE  
 PROPOSED PROJECT:  
 POLLUTION ABATEMENT AND REARING PONDS  
 LOCATION: HUPP SPRINGS HATCHERY  
 SHEET 5 OF 6 DATE: 10/10/2012

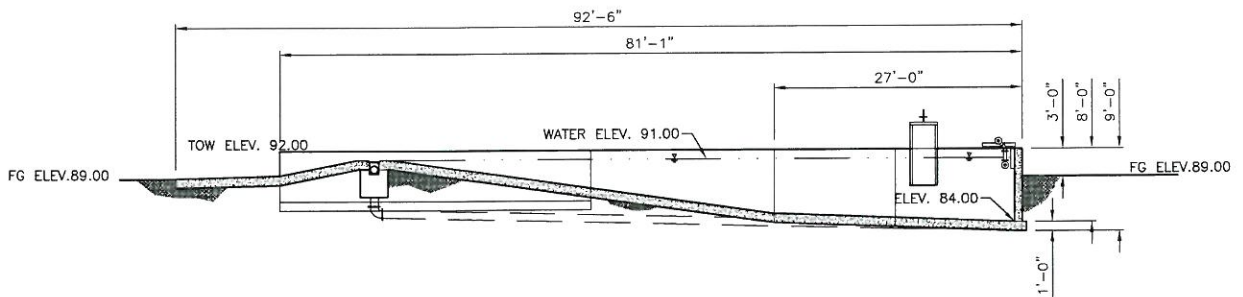


**POLLUTION ABATEMENT POND PLAN**

SCALE: 1" = 20'-0"



SCALE: 1' = 20'



**POLLUTION ABATEMENT POND ELEVATION**

SCALE: 1" = 20'-0"



SCALE: 1' = 20'

REFERENCE NUMBER:  
 APPLICANT NAME:  
 WASHINGTON DEPT. of FISH & WILDLIFE  
 PROPOSED PROJECT:  
 POLLUTION ABATEMENT AND REARING PONDS  
 LOCATION: HUPP SPRINGS HATCHERY  
 SHEET 6 OF 6 DATE: 10/10/2012