

OVERALL SITE PLAN
NOT TO SCALE
APPROX. 1 MILE TYP.

LEGEND

- CONTOUR LINE
- COUNTY ROAD
- CITY ROAD
- CREEK/STREAM
- FENCE LINE
- HIGHWAY/INTERSTATE
- POWER LINE
- SECTION LINE
- STATE ROUTE
- DROP GATE
- STREAM CROSSING
- GPS POINT ALONG FENCE

ABBREVIATIONS

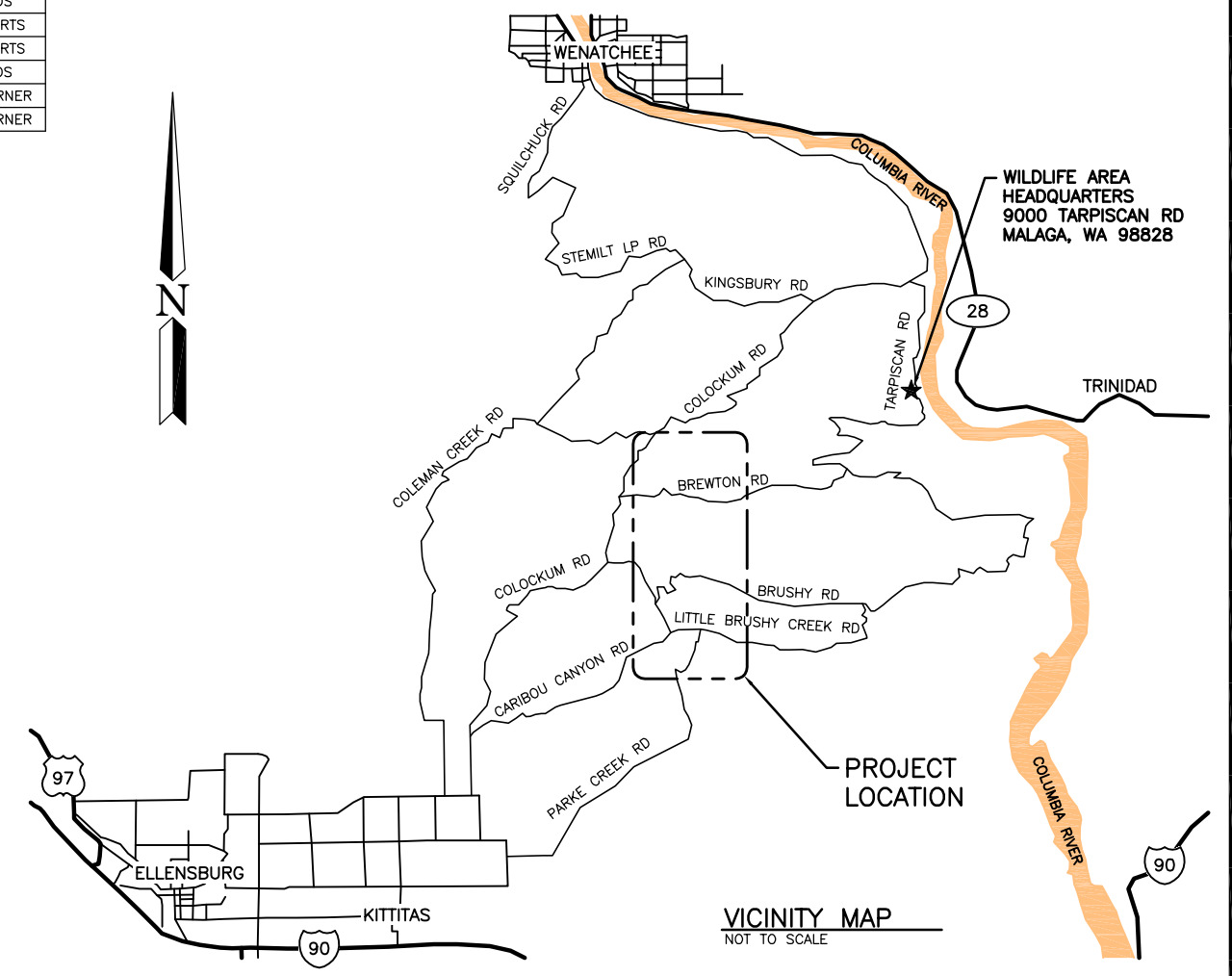
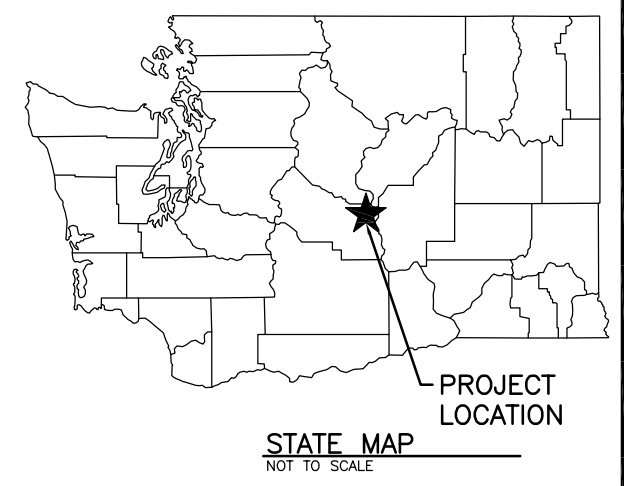
- APPROX. - APPROXIMATELY
- DG - DROP GATE
- GA. - GAUGE
- GALV. - GALVANIZED
- MAX. - MAXIMUM
- MIN. - MINIMUM
- O.D. - OUTER DIAMETER
- RD - ROAD
- SC - STREAM CROSSING
- SQ - SQUARE
- TYP. - TYPICAL

GPS POINTS			
POINT NUMBER	LATITUDE	LONGITUDE	REMARKS
1	47.20466	120.25352	FENCE STARTS
2	47.20460	120.24516	FENCE ENDS
3	47.18996	120.22834	FENCE STARTS
4	47.18984	120.21743	FENCE CORNER
5	47.18922	120.21694	FENCE CORNER
6	47.17969	120.21759	FENCE CORNER
7	47.17733	120.22421	FENCE ENDS
8	47.17430	120.23823	FENCE STARTS
9	47.16420	120.23818	FENCE STARTS
10	47.16151	120.23820	FENCE ENDS
11	47.13169	120.25922	FENCE CORNER
12	47.12956	120.23970	FENCE CORNER

STREAM CROSSINGS		
POINT NUMBER	LATITUDE	LONGITUDE
SC1	47.20462	120.24676
SC2	47.18451	120.21768
SC3	47.17379	120.23842
SC4	47.16521	120.23810

NOTES:

- DROP GATES - REPLACE EXISTING WITH NEW.
- GPS COORDINATES ARE IN DECIMAL DEGREES AND ARE APPROXIMATE.

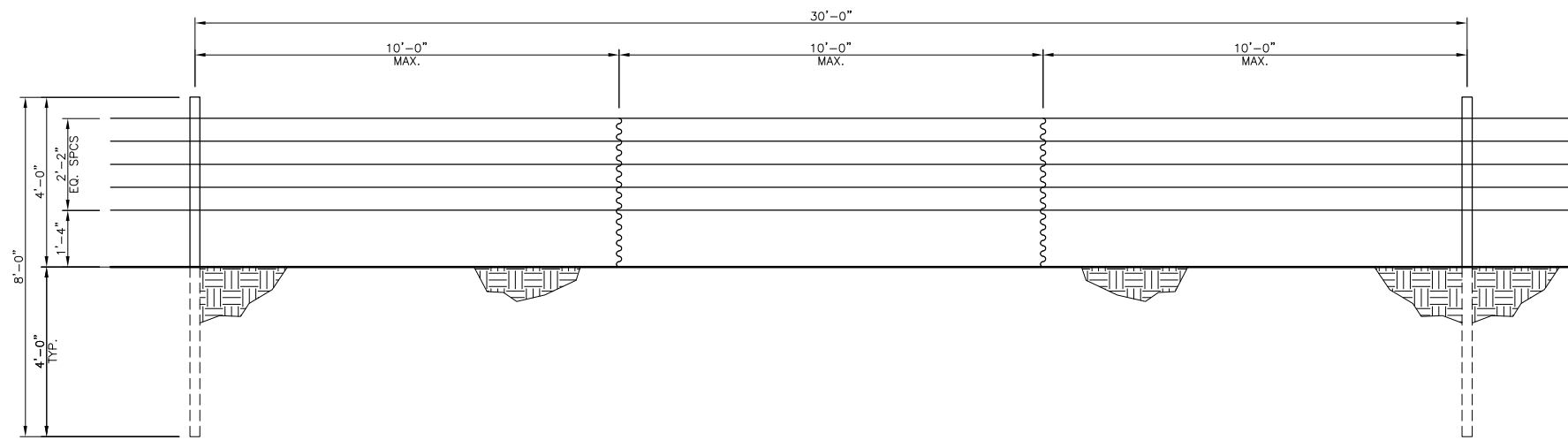


WASHINGTON STATE
DEPARTMENT OF FISH AND WILDLIFE

SYM	DATE	REVISION DESCRIPTION	BY
APPROVED AND RELEASED FOR CONSTRUCTION			
CHIEF ENGINEER	DATE:	DESIGNED BY R. BERG	CHECKED BY D. SMITH
PROGRAM	DATE:	DRAWN BY N. BRUTZMAN	DATE 01/15/2016

COLOCKUM WLA - COLOCKUM UNIT
TARPS FIRE FENCE RECONSTRUCTION
OVERALL SITE PLAN
AND VICINITY MAP

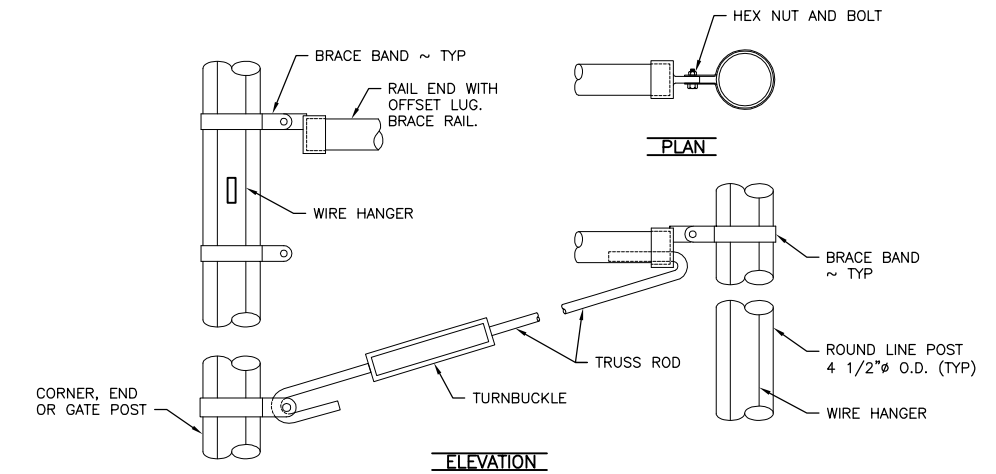
PROJECT NO. KS:R11:15-1	
SHEET 1	OF 3



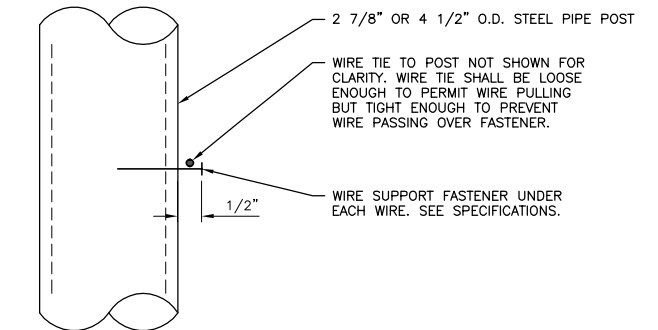
LINE FENCE
SCALE: 1/2" = 1'-0"

NOTES:

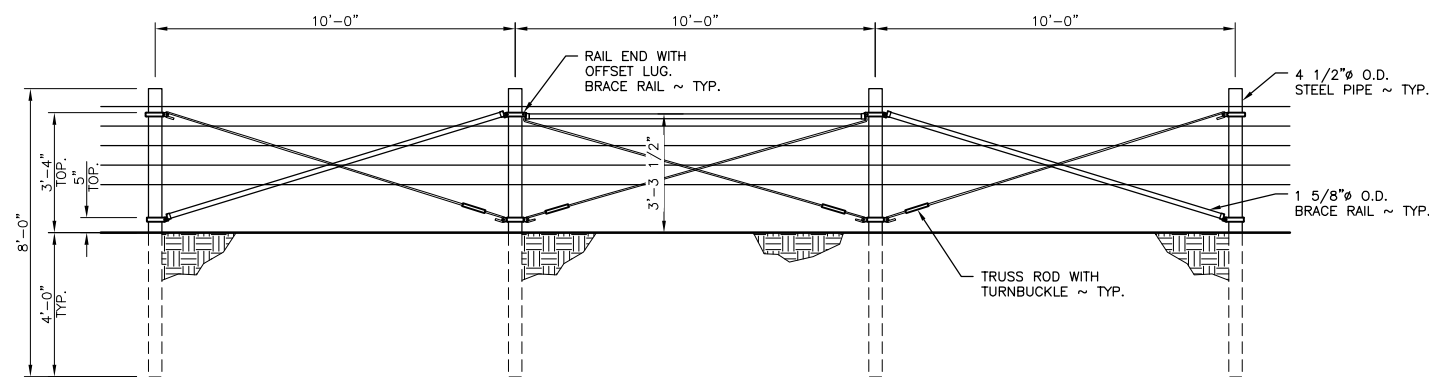
1. ALL POSTS SHALL NOT EXCEED 30'-0" SPACING.
2. STEEL POSTS SHALL BE 2 7/8" O.D. STEEL PIPE, MINIMUM OF 8'-0" LENGTH. ALL POSTS SHALL BE DRIVEN OR DRILLED TO A MINIMUM DEPTH OF 4'. SEE SPECIFICATIONS.
3. STAYS SHALL BE 9 1/2 GA. 42" WIRE TWIST STAYS. TWO TWIST STAYS SHALL BE INSTALLED AT 10'-0" INTERVALS BETWEEN EVERY POST IN LINE, UNLESS POSTS ARE LESS THAN 30' APART.
4. WIRE SHALL BE HIGH TENSILE WIRE, SEE SPECIFICATIONS.



STRETCH BRACE DETAIL
NOT TO SCALE



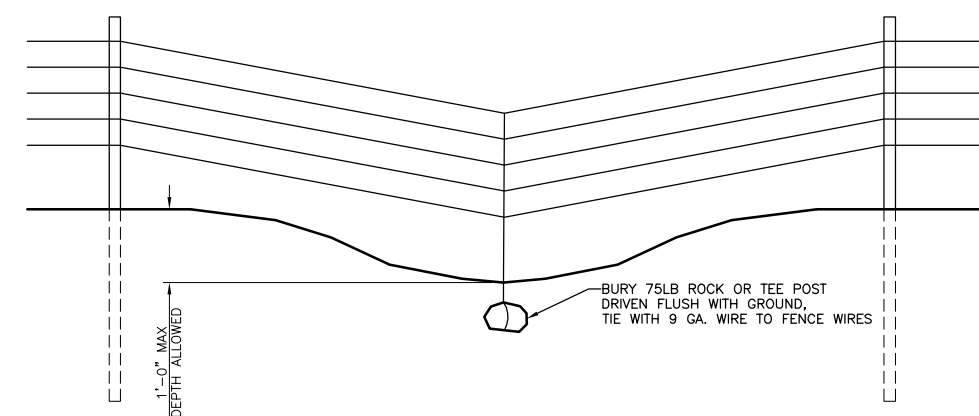
WIRE SUPPORT
NOT TO SCALE



STRETCH BRACE
SCALE: 3/8" = 1'-0"

NOTE:

1. SEE STRETCH BRACE DETAIL, THIS SHEET.



HOLD-DOWN DETAIL
NOT TO SCALE

NOTE:

- INSTALL HOLD-DOWNS AS NECESSARY TO MAINTAIN WIRE-TO-GROUND SPACING

WASHINGTON STATE
DEPARTMENT OF FISH AND WILDLIFE

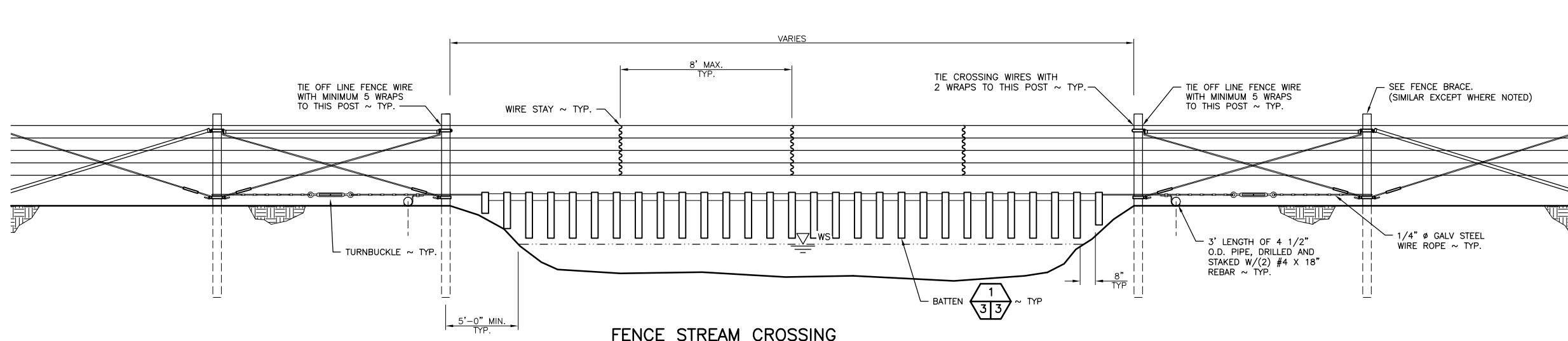
SYM	DATE	REVISION DESCRIPTION	BY
APPROVED AND RELEASED FOR CONSTRUCTION			
CHIEF ENGINEER		DATE:	
PROGRAM		DATE:	

0 1"
BAR MEASURES ONE INCH ON ORIGINAL DRAWINGS

DESIGNED BY R. BERG
CHECKED BY D. SMITH
DRAWN BY N. BRUTZMAN
DATE 01/15/2016

COLOCKUM WLA - COLOCKUM UNIT
TARPS FIRE FENCE RECONSTRUCTION
LINE, STRETCH, AND
HOLD-DOWN FENCE

PROJECT NO. KS:R11:15-1
SHEET 2 OF 3

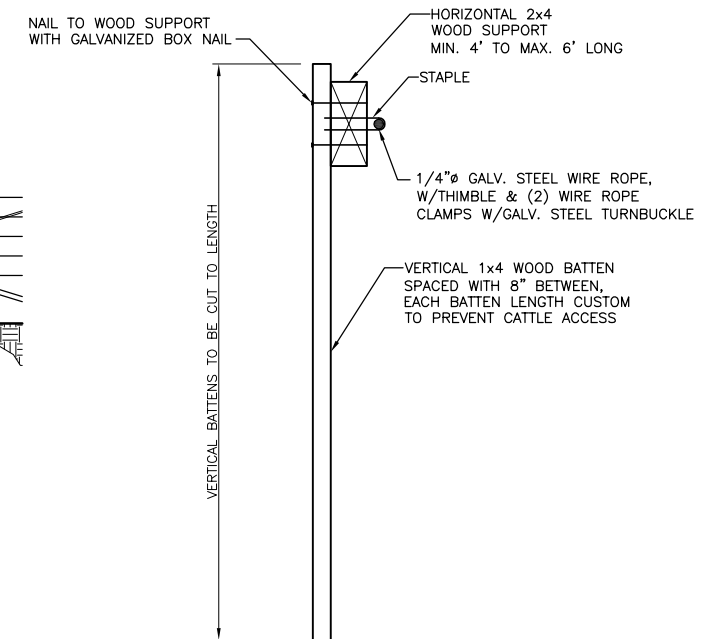


FENCE STREAM CROSSING

SCALE: 3/8" = 1'-0"

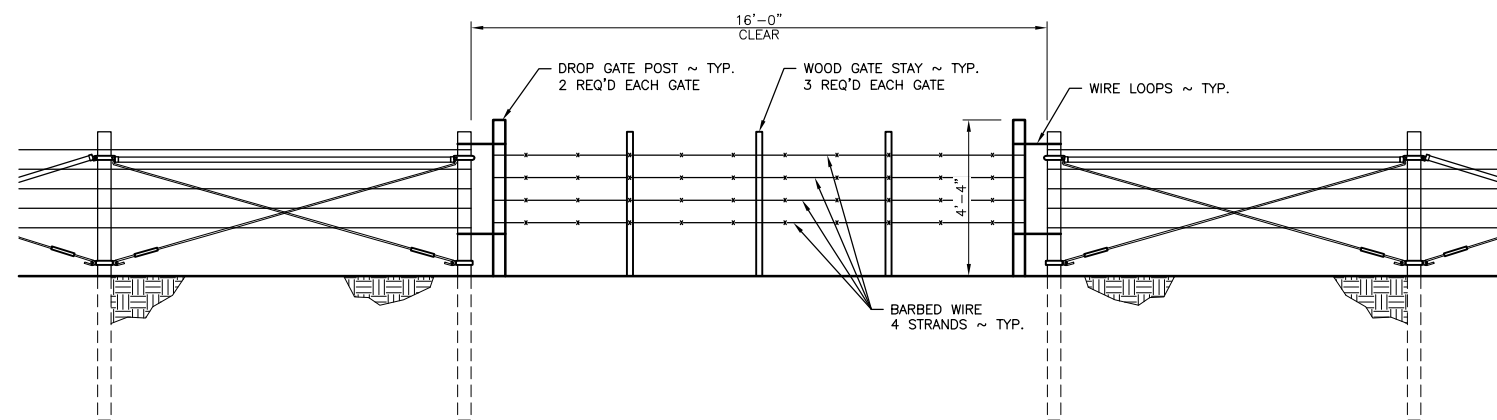
NOTES:

1. TO BE CONSTRUCTED AT STREAM CROSSINGS NOTED ON THE OVERALL SITE PLAN AND ACROSS DRY WASHES GREATER THAN 12" DEEP.



BATTEN

SCALE: 3" = 1'-0"



DROP GATE

SCALE: 3/8" = 1'-0"

NOTES:

1. GATE SHALL BE 16'-0" IN WIDTH AND SHALL HAVE THREE PRESURE TREATED 2x4 VERTICAL STAYS AT 1/4 POINTS ALONG GATE. THE DROP POSTS LOCATED AT EACH END SHALL BE 3" - 4" WOOD POSTS CUT TO A LENGTH OF 4' - 4".
2. WIRE LOOPS CONSTRUCTED OF 11 GAUGE GALVANIZED BRACE WIRE AND LOOPED AROUND END BRACE POSTS TO FACILITATE CLOSURE OF THE GATE. SPACING OF THE LONGITUDINAL WIRES SHALL BE THE SAME AS THE LINE FENCE.
3. WOOD STAYS SHALL BE PRESERVATIVE PRESSURE TREATED AND STAPLED WITH 9 GAUGE x 1-1/2" LONG GALVANIZED STAPLES.
4. BARB WIRE SHALL BE 12 1/2 GA., 4 POINT BARBED, WITH BARBS SPACED AT 5". SEE SPECIFICATIONS

WASHINGTON STATE
DEPARTMENT OF FISH AND WILDLIFE

0	1"	BAR MEASURES ONE INCH ON ORIGINAL DRAWINGS
SYM	DATE	REVISION DESCRIPTION
		APPROVED AND RELEASED FOR CONSTRUCTION
CHIEF ENGINEER	DATE:	DESIGNED BY R. BERG
PROGRAM	DATE:	CHECKED BY D. SMITH
		DRAWN BY N. BRUTZMAN
		DATE 01/15/2016

COLOCKUM WLA - COLOCKUM UNIT
TARPS FIRE FENCE RECONSTRUCTION
DROP GATE AND
STREAM CROSSING

PROJECT NO. KS:R11:15-1	
SHEET 3	OF 3