

PROJECT LOCATION  
PALIX ACCESS

**VICINITY MAP**

NOT TO SCALE

PURPOSE: REPAIR DAMAGED  
BOAT RAMP

WASHINGTON DEPT. of FISH & WILDLIFE  
600 CAPITOL WAY N.  
OLYMPIA, WA 98501-1091

PROPOSED: ACCESS RAMP REPAIR  
VICINITY MAP

DATUM: ASSUMED

ADJACENT PROPERTY OWNER:

1. \_\_\_\_\_

2. \_\_\_\_\_

ENG. PROJECT NO. PC:A396:16-1

REFERENCE NO. \_\_\_\_\_

SITE: **PALIX RIVER ACCESS**

ADDRESS: SR 101 AT PALIX RIVER BRIDGE  
BAY CENTER, WA

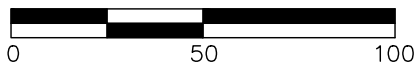
IN: PALIX RIVER

NEAR: BAY CENTER, WA

COUNTY OF: PACIFIC STATE: WA

PORTION OF: SEC 15, T13N, R10W

DATE: 01/12/2016 SHEET 1 OF 5



SCALE: 1"=50'

REFERENCE NO. \_\_\_\_\_

APPLICANT:  
WASHINGTON DEPT. of FISH & WILDLIFE

PALIX RIVER ACCESS

EXISTING SITE PLAN

AT: BAY CENTER \_\_\_\_\_, WASHINGTON

DATE: 01/12/2016 SHEET 2 OF 5

ENG. PROJECT NO. PC: A396:16-1 \_\_\_\_\_

TO SOUTH BEND

STATE HIGHWAY 101

GRAVEL

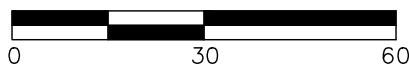
GRAVEL

REMOVE DAMAGED PLANKS (20'x54')  
(1,080 sf)  
INSTALL NEW RAMP PLANKS  
(12'x66') (792 sf)

PALIX RIVER

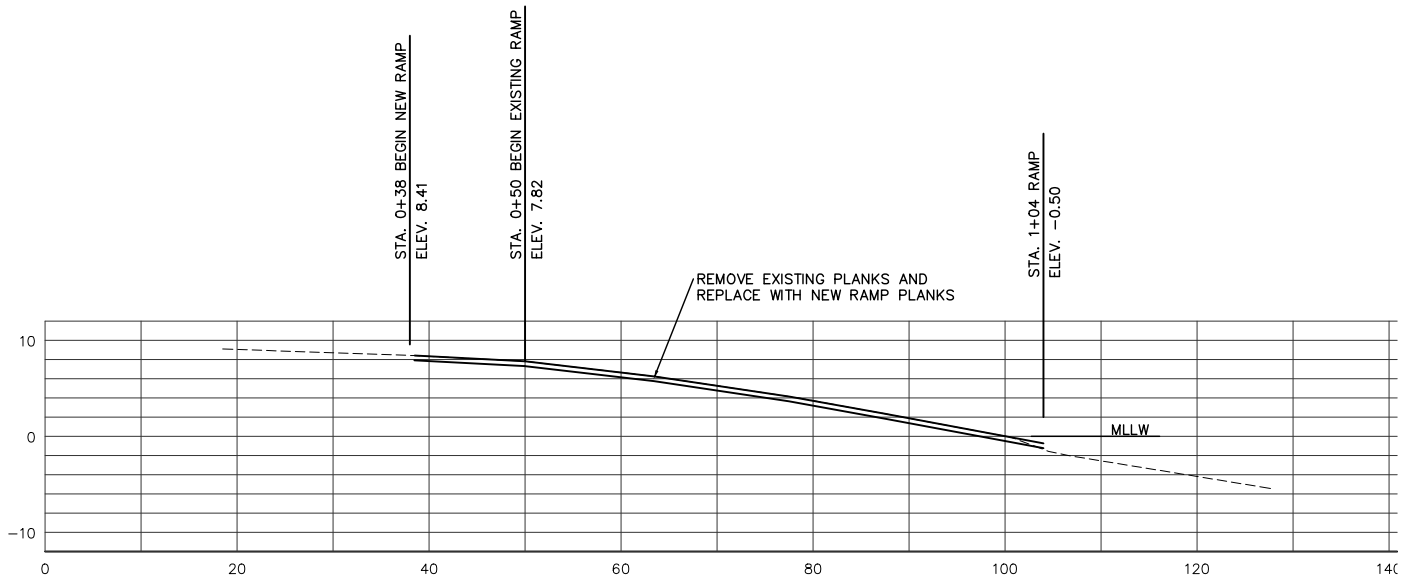
MHHW

APPROX. MLLW



SCALE: 1"=30'

REFERENCE NO. _____
APPLICANT: WASHINGTON DEPT. of FISH & WILDLIFE
PALIX RIVER ACCESS
SITE PLAN
AT: BAY CENTER _____, WASHINGTON
DATE: 01/12/2016 SHEET 3 OF 5

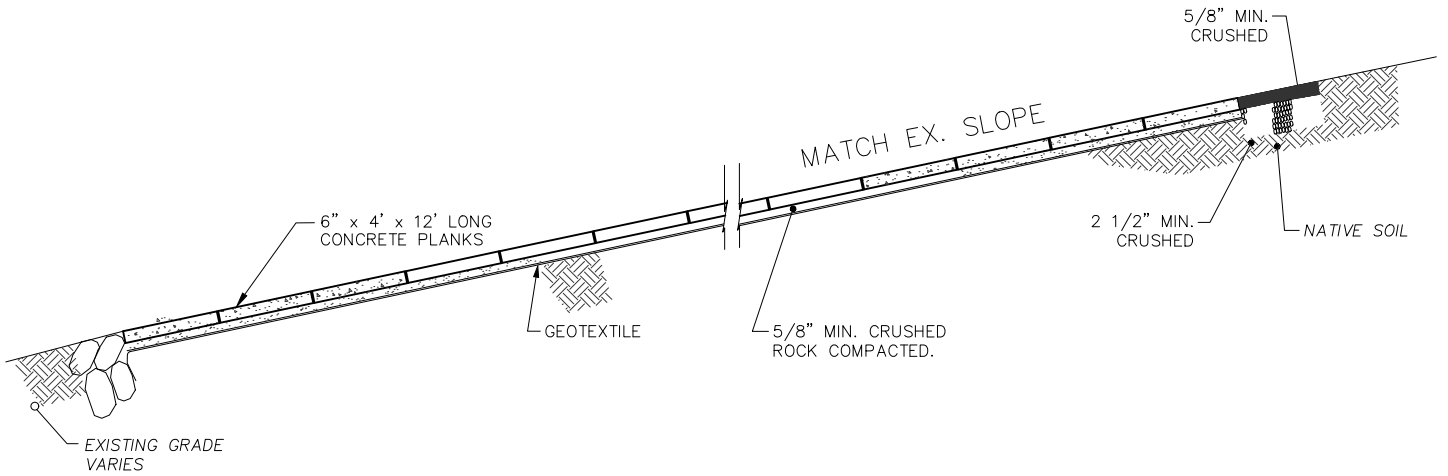


**RAMP PROFILE**  
SCALE: 1" = 20'

**NOTES:**

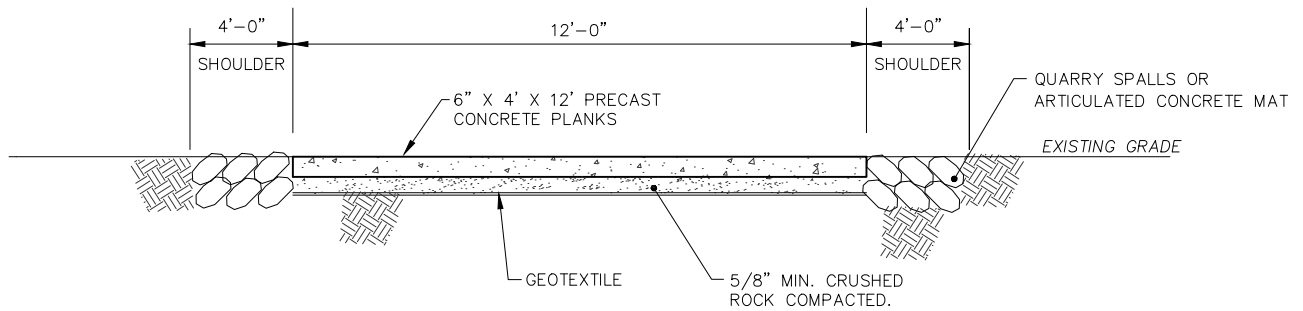
1. EXISTING RAMP IS HAS BROKEN AND MISSING PLANKS STA. 0+35 TO 0+54
2. REMOVE 20'x54' CONCRETE PLANK BOAT RAMP. (1,080 sf = 20.0 cy)
3. INSTALL NEW PRECAST PLANKS (12'x66' = 792 sf = 14.7 cy)
4. REPAIR SCOUR AT SHOULDER AND BOTTOM OF RAMP WITH QUARRY SPALLS (8.0 cy)

REFERENCE NO. _____
APPLICANT: WASHINGTON DEPT. of FISH & WILDLIFE
PALIX RIVER ACCESS
PROFILE
AT: BAY CENTER _____, WASHINGTON
DATE: 01/12/2016 SHEET 4 OF 5



**LAUNCH RAMP PROFILE**

N.T.S.



**LAUNCH RAMP TYPICAL SECTION**

N.T.S.

REFERENCE NO. _____
APPLICANT: WASHINGTON DEPT. of FISH & WILDLIFE
PALIX RIVER ACCESS
TYPICAL RAMP DETAILS
AT: BAY CENTER _____, WASHINGTON
DATE: 01/12/2016 SHEET 5 OF 5