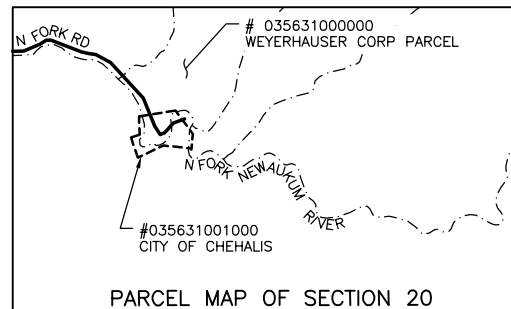
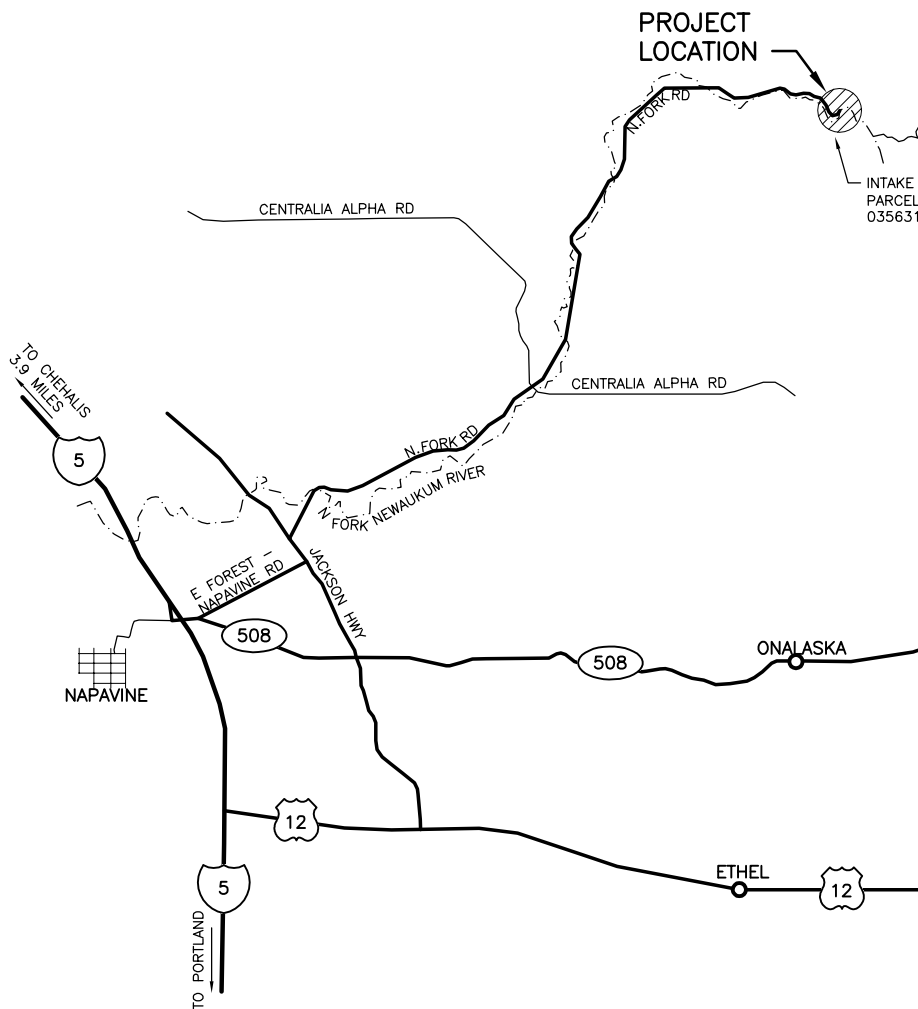


PROJECT LOCATION

INTAKE SITE
PARCEL #
035631001000



VICINITY MAP
NOT TO SCALE

DIRECTIONS

FROM OLYMPIA, WA : FOLLOW I-5 S TO WA-508 E/W FOREST NAPAVINE ROAD IN NAPAVINE. TAKE EXIT 71 FROM I-5 S, DRIVE TO NORTH FORK ROAD. DRIVE APPROXIMATELY 13.6 MILES TO SITE LOCATION. FACILITY WILL BE AT END OF ROAD.
PORTION OF: SECTION 20, T. 14 N., R. 1 E. WM

ENG. PROJECT NO. LS:M:16-1

REFERENCE NUMBER:
APPLICANT:
WASHINGTON DEPT. of FISH & WILDLIFE
600 CAPITOL WAY N.
OLYMPIA, WA 98501-1091

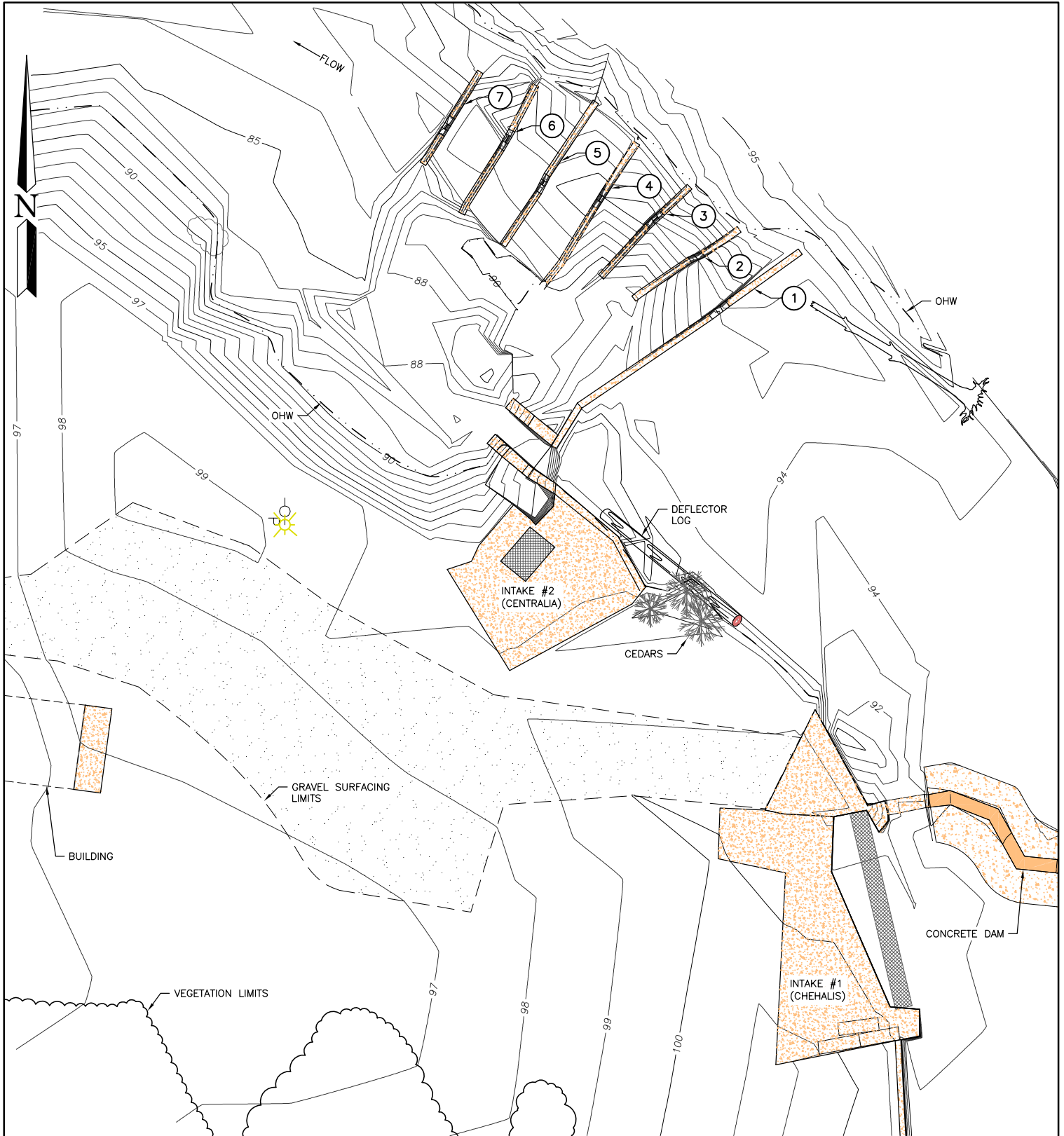
PROJECT LOCATION (ADDRESS):
END OF NORTH FORK ROAD
CHEHALIS, WA 98532

PROPOSED PROJECT:
FISHWAY IMPROVEMENTS

ADJACENT PROPERTY OWNER:
1. CITY OF CHEHALIS (INTAKE SITE)
2. WEYERHAUSER CORP (SURROUNDING)

LAT/LONG: 46.680026N / 122.706802W
DATUM: ASSUMED
SHEET 1 OF 9 DATE: 03/08/2016

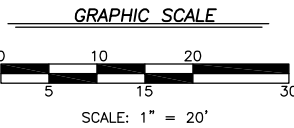
IN: N. FORK NEWAUKUM RIVER
NEAR/AT: CHEHALIS, WA
COUNTY: LEWIS
STATE: WA



EXISTING SITE PLAN

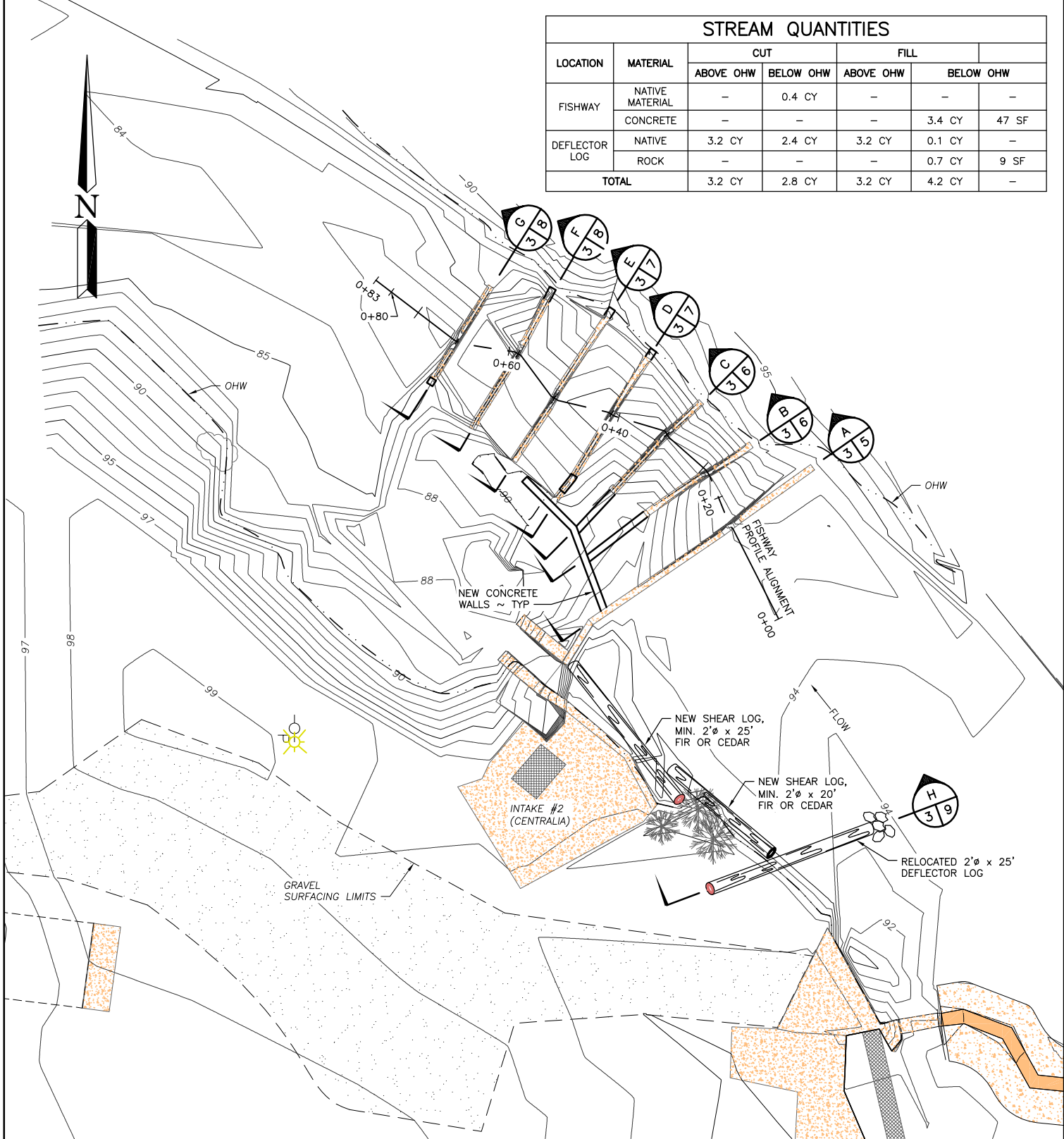
SCALE: 1" = 20'

NOTE:
1. DATUM IS ASSUMED

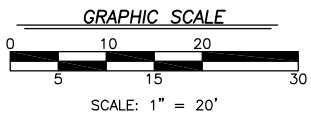


REFERENCE NUMBER:
 APPLICANT NAME:
 WASHINGTON DEPT. of FISH & WILDLIFE
 PROPOSED PROJECT:
 FISHWAY IMPROVEMENTS
 LOCATION: END OF NORTH FORK RD, CHEHALIS
 SHEET 2 OF 9 DATE: 03/08/2016

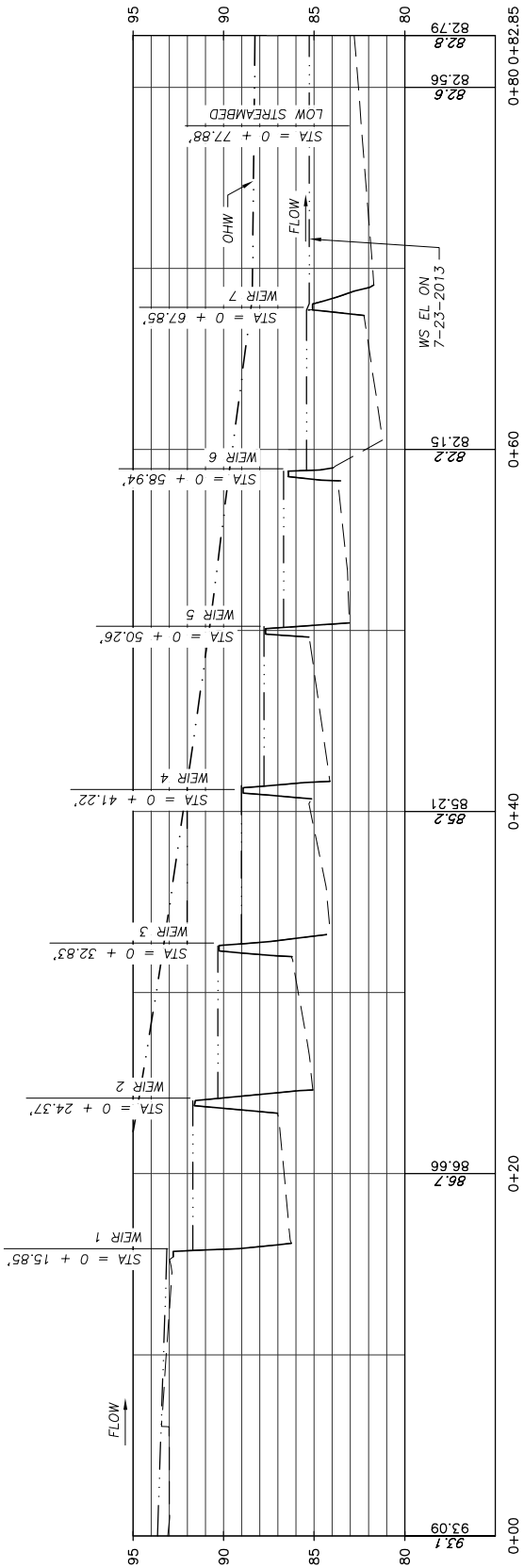
STREAM QUANTITIES						
LOCATION	MATERIAL	CUT		FILL		
		ABOVE OHW	BELOW OHW	ABOVE OHW	BELOW OHW	
FISHWAY	NATIVE MATERIAL	-	0.4 CY	-	-	-
	CONCRETE	-	-	-	3.4 CY	47 SF
DEFLECTOR LOG	NATIVE	3.2 CY	2.4 CY	3.2 CY	0.1 CY	-
	ROCK	-	-	-	0.7 CY	9 SF
TOTAL		3.2 CY	2.8 CY	3.2 CY	4.2 CY	-



PROPOSED SITE PLAN
SCALE: 1" = 20'

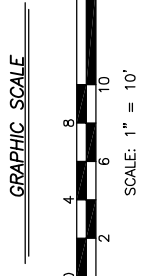


REFERENCE NUMBER:
 APPLICANT NAME:
 WASHINGTON DEPT. of FISH & WILDLIFE
 PROPOSED PROJECT:
 FISHWAY IMPROVEMENTS
 LOCATION: END OF NORTH FORK RD, CHEHALIS
 SHEET 3 OF 9 DATE: 03/08/2016

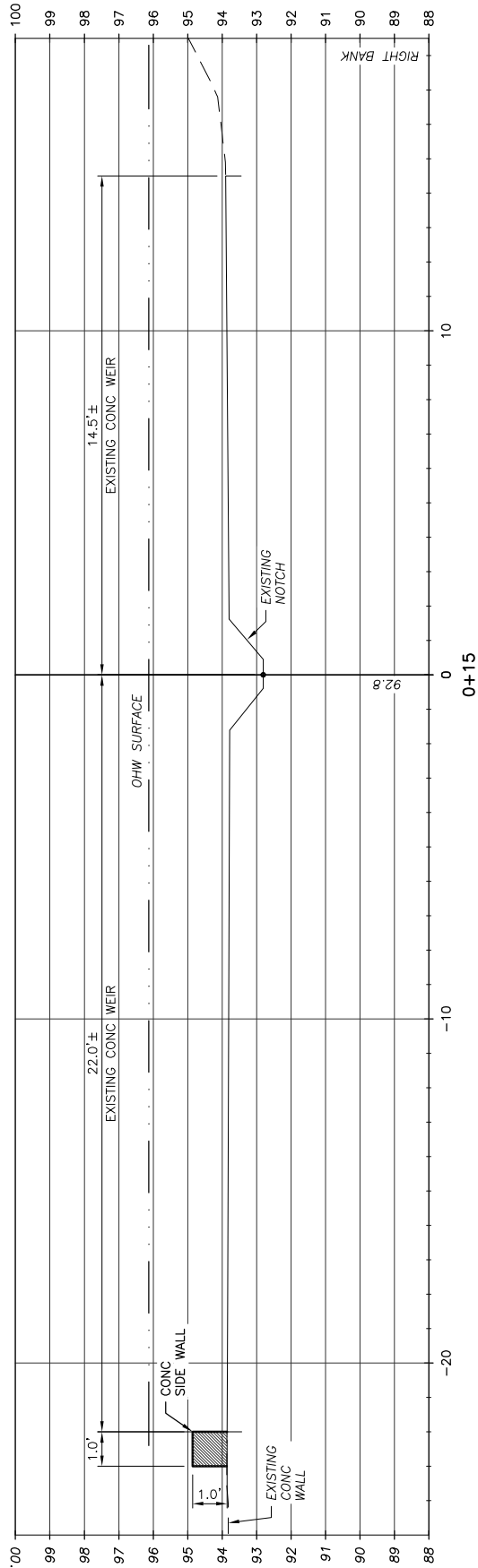


FISHWAY PROFILE ALIGNMENT

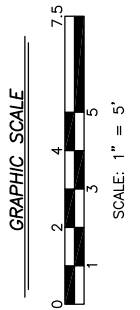
SCALE: 1" = 10'



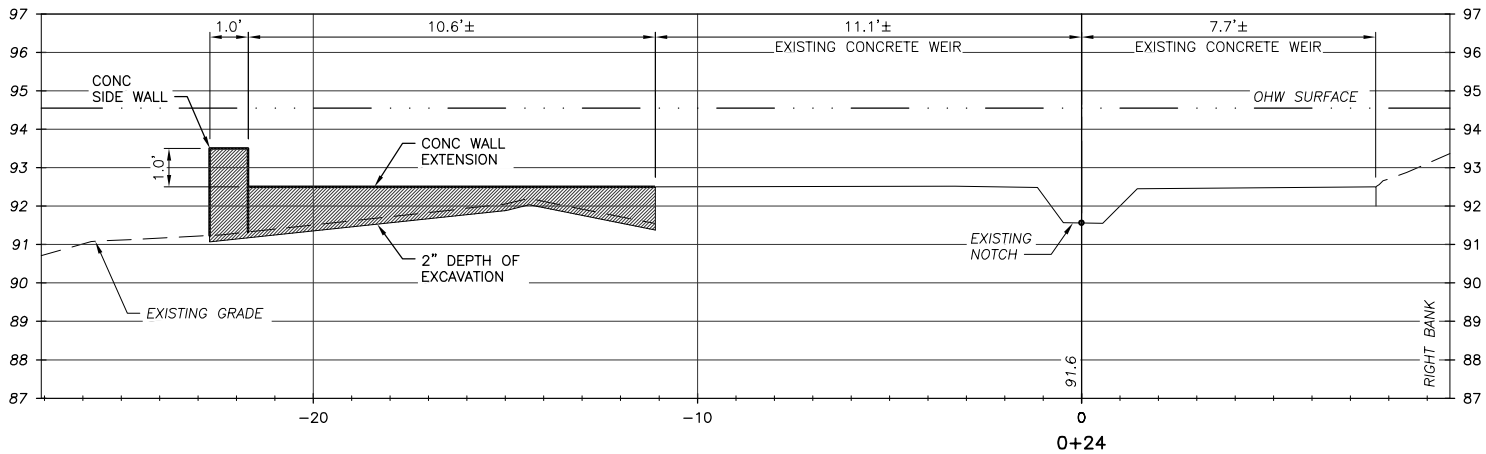
REFERENCE NUMBER:
 APPLICANT NAME:
WASHINGTON DEPT. of FISH & WILDLIFE
 PROPOSED PROJECT:
FISHWAY IMPROVEMENTS
 LOCATION: END OF NORTH FORK RD, CHEHALIS
 SHEET 4 OF 9 DATE: 03/08/2016



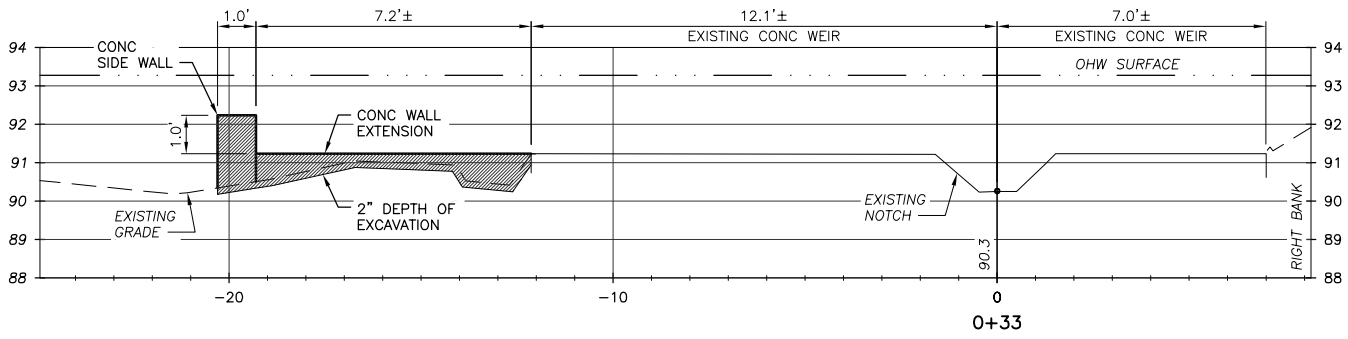
WEIR 1 SECTION
 SCALE: 1" = 5'



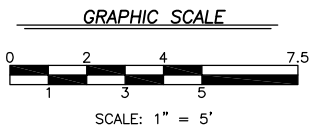
REFERENCE NUMBER:
 APPLICANT NAME:
WASHINGTON DEPT. of FISH & WILDLIFE
 PROPOSED PROJECT:
FISHWAY IMPROVEMENTS
 LOCATION: **END OF NORTH FORK RD, CHEHALIS**
 SHEET **5** OF **9** DATE: **03/08/2016**



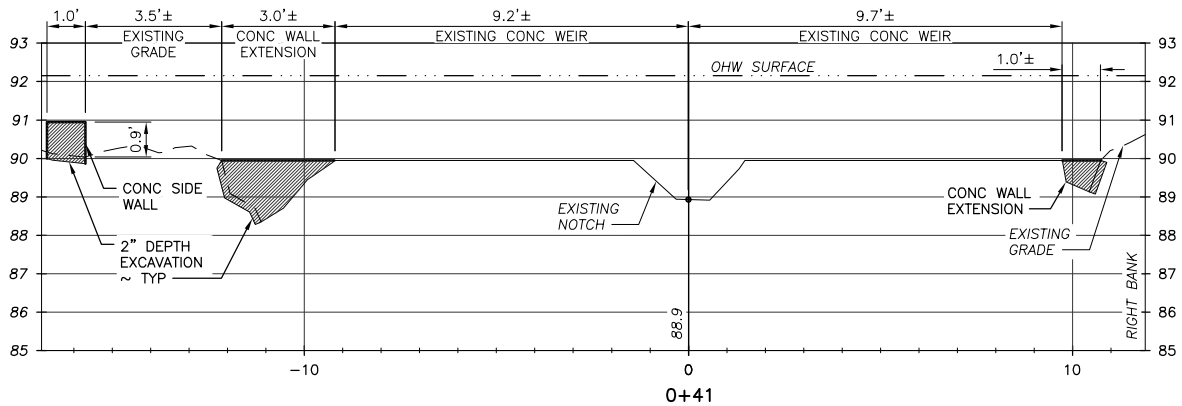
WEIR 2 SECTION B
3 | 5
SCALE: 1" = 5'



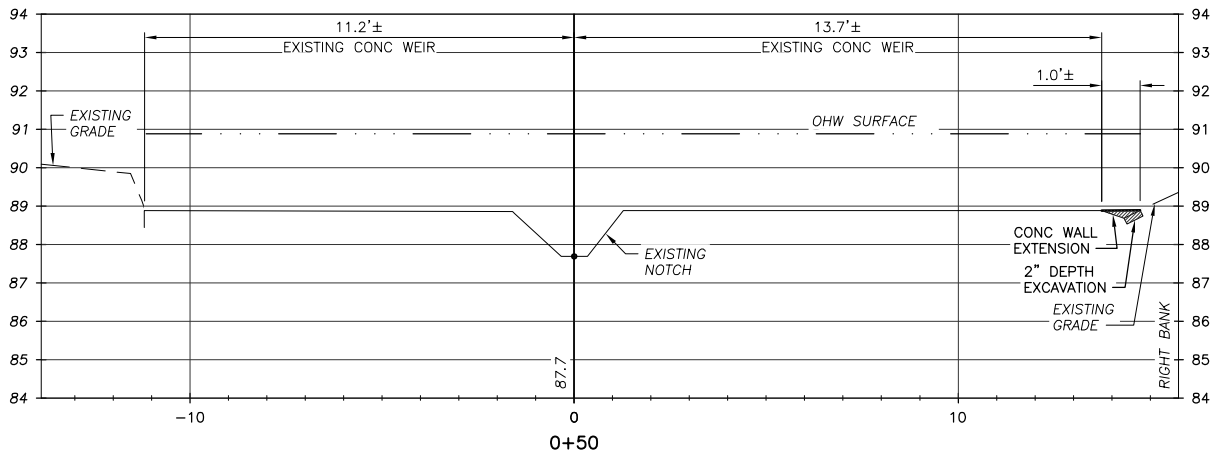
WEIR 3 SECTION C
3 | 6
SCALE: 1" = 5'



REFERENCE NUMBER:
 APPLICANT NAME:
WASHINGTON DEPT. of FISH & WILDLIFE
 PROPOSED PROJECT:
FISHWAY IMPROVEMENTS
 LOCATION: **END OF NORTH FORK RD, CHEHALIS**
 SHEET **6** OF **9** DATE: **03/08/2016**



WEIR 4 SECTION
SCALE: 1" = 5'



WEIR 5 SECTION
SCALE: 1" = 5'



GRAPHIC SCALE



SCALE: 1" = 5'

REFERENCE NUMBER:

APPLICANT NAME:

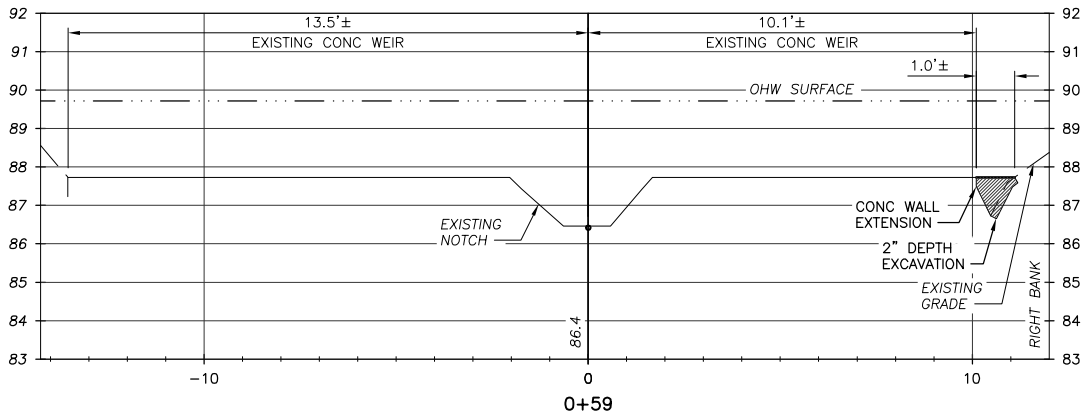
WASHINGTON DEPT. of FISH & WILDLIFE

PROPOSED PROJECT:

FISHWAY IMPROVEMENTS

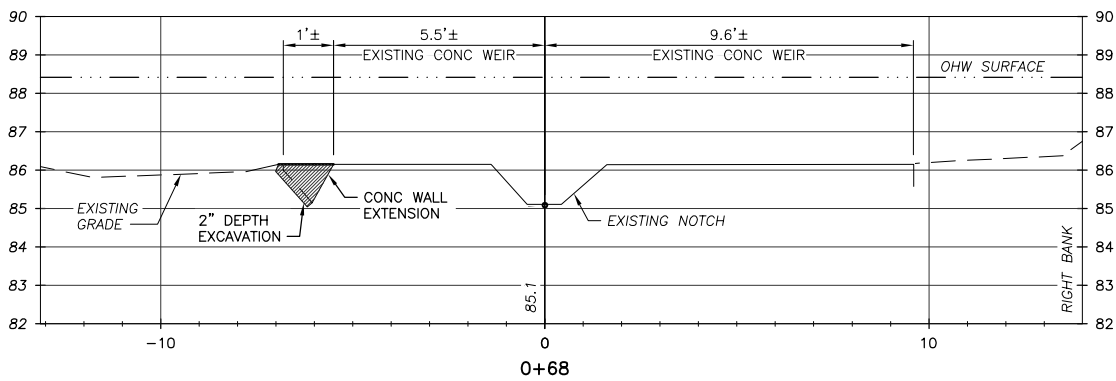
LOCATION: END OF NORTH FORK RD, CHEHALIS

SHEET 7 OF 9 DATE: 03/08/2016



WEIR 6 SECTION

SCALE: 1" = 5'



WEIR 7 SECTION

SCALE: 1" = 5'



GRAPHIC SCALE



SCALE: 1" = 10'

REFERENCE NUMBER:

APPLICANT NAME:

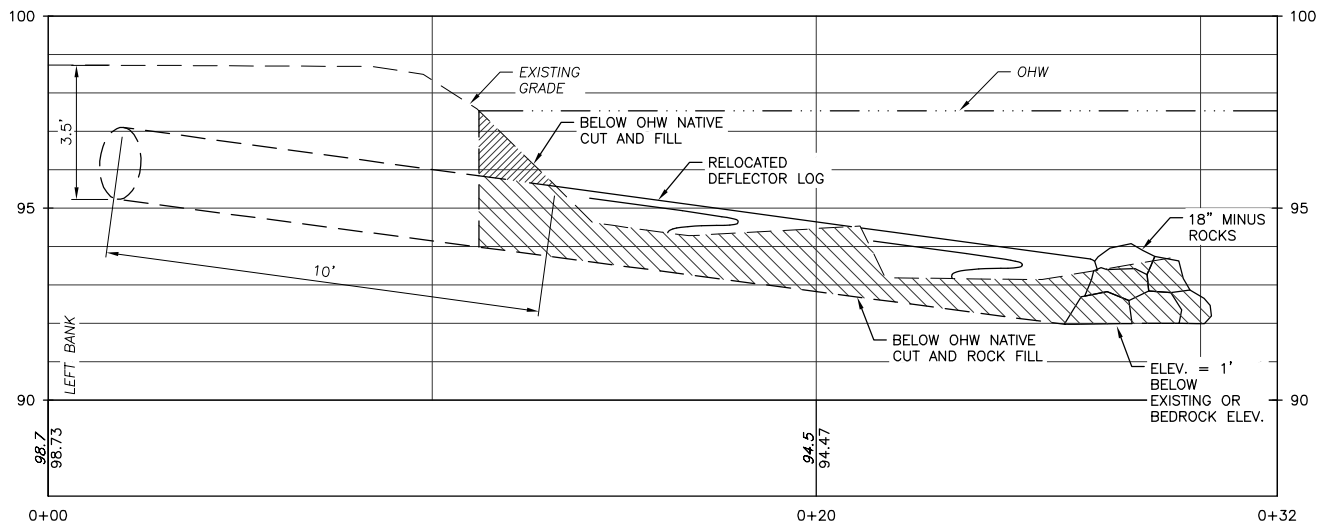
WASHINGTON DEPT. of FISH & WILDLIFE

PROPOSED PROJECT:

FISHWAY IMPROVEMENTS

LOCATION: END OF NORTH FORK RD, CHEHALIS

SHEET 8 OF 9 DATE: 03/08/2016



RELOCATED DEFLECTOR LOG SECTION
 SCALE: 1" = 5'



GRAPHIC SCALE



SCALE: 1" = 5'

REFERENCE NUMBER:
 APPLICANT NAME:
WASHINGTON DEPT. of FISH & WILDLIFE
 PROPOSED PROJECT:
FISHWAY IMPROVEMENTS
 LOCATION: **END OF NORTH FORK RD, CHEHALIS**
 SHEET **9** OF **9** DATE: **03/08/2016**