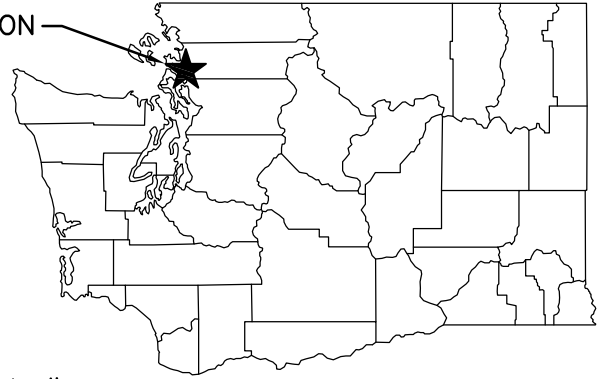
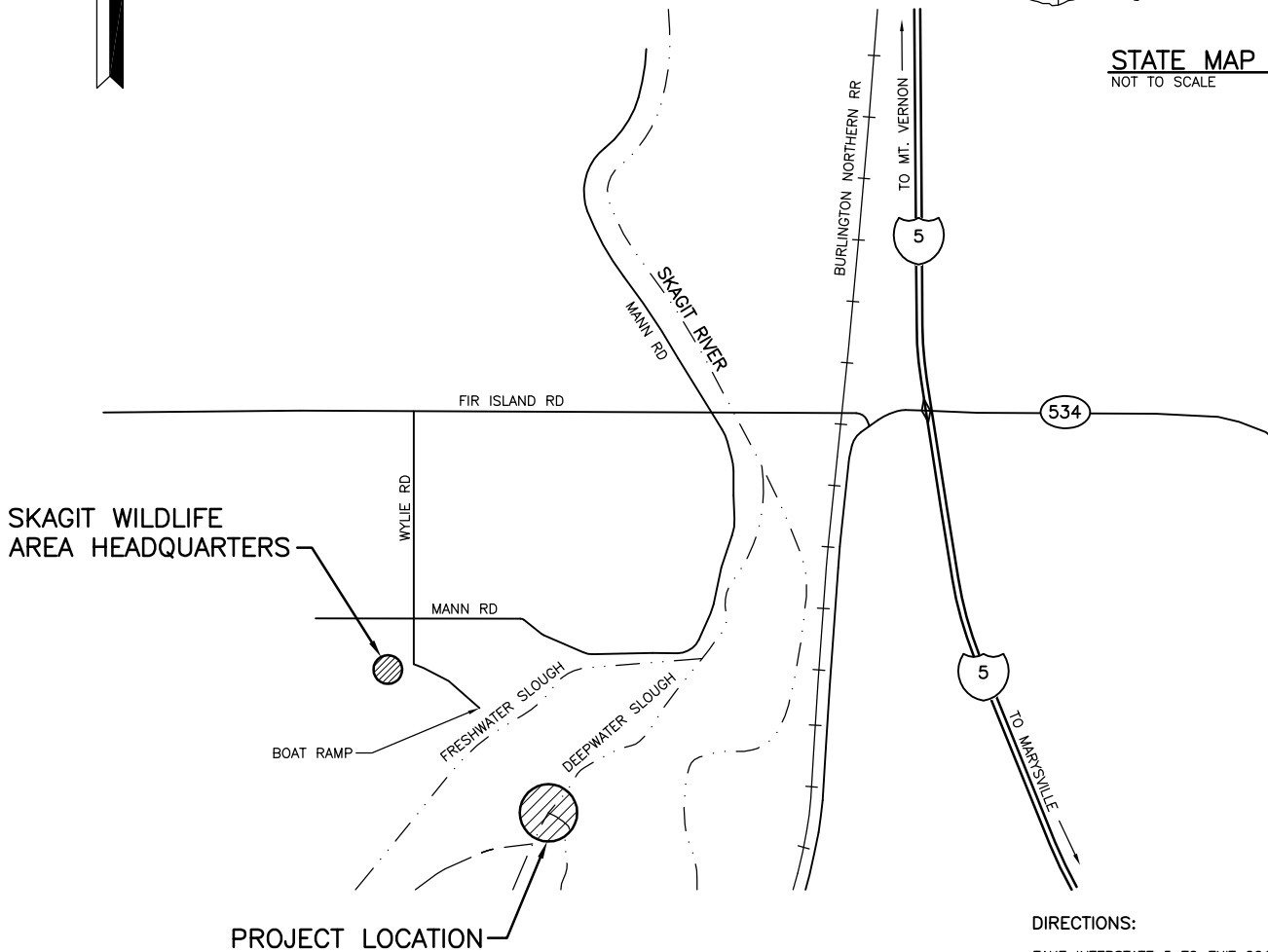




PROJECT LOCATION



STATE MAP
NOT TO SCALE



PROJECT LOCATION

VICINITY MAP
NOT TO SCALE

DIRECTIONS:

TAKE INTERSTATE 5 TO EXIT 221, JUST SOUTH OF MOUNT VERNON IN SKAGIT COUNTY. GO WEST FROM THE FREEWAY TO FIR ISLAND ROAD, FOLLOWING THE SIGN FOR CONWAY/LA CONNER. IN 1.8 MILES, TURN LEFT ONTO WYLIE ROAD AND FOLLOW FOR 1 MILE TO A T-INTERSECTION AND A WASHINGTON DEPARTMENT OF FISH AND WILDLIFE SIGN. TURN LEFT, FOLLOWING THE SIGN FOR THE BOAT LAUNCH; THE PARKING LOT IS A FEW HUNDRED YARDS AHEAD. AFTER LAUNCHING YOUR BOAT, PROCEED UPSTREAM (LEFT) A COUPLE HUNDRED YARDS TO THE SAND BEACH ON THE OPPOSITE SIDE OF THE RIVER. WALK APPROXIMATELY 1 1/4 MILES TO THE SITE.

ENG. PROJECT NO. ST:R129:14-1

PORTION OF: SECT. 25, T 33 N, R 3 E

REFERENCE NUMBER:
APPLICANT:
WASHINGTON DEPT. of FISH & WILDLIFE
600 CAPITOL WAY N.
OLYMPIA, WA 98501-1091

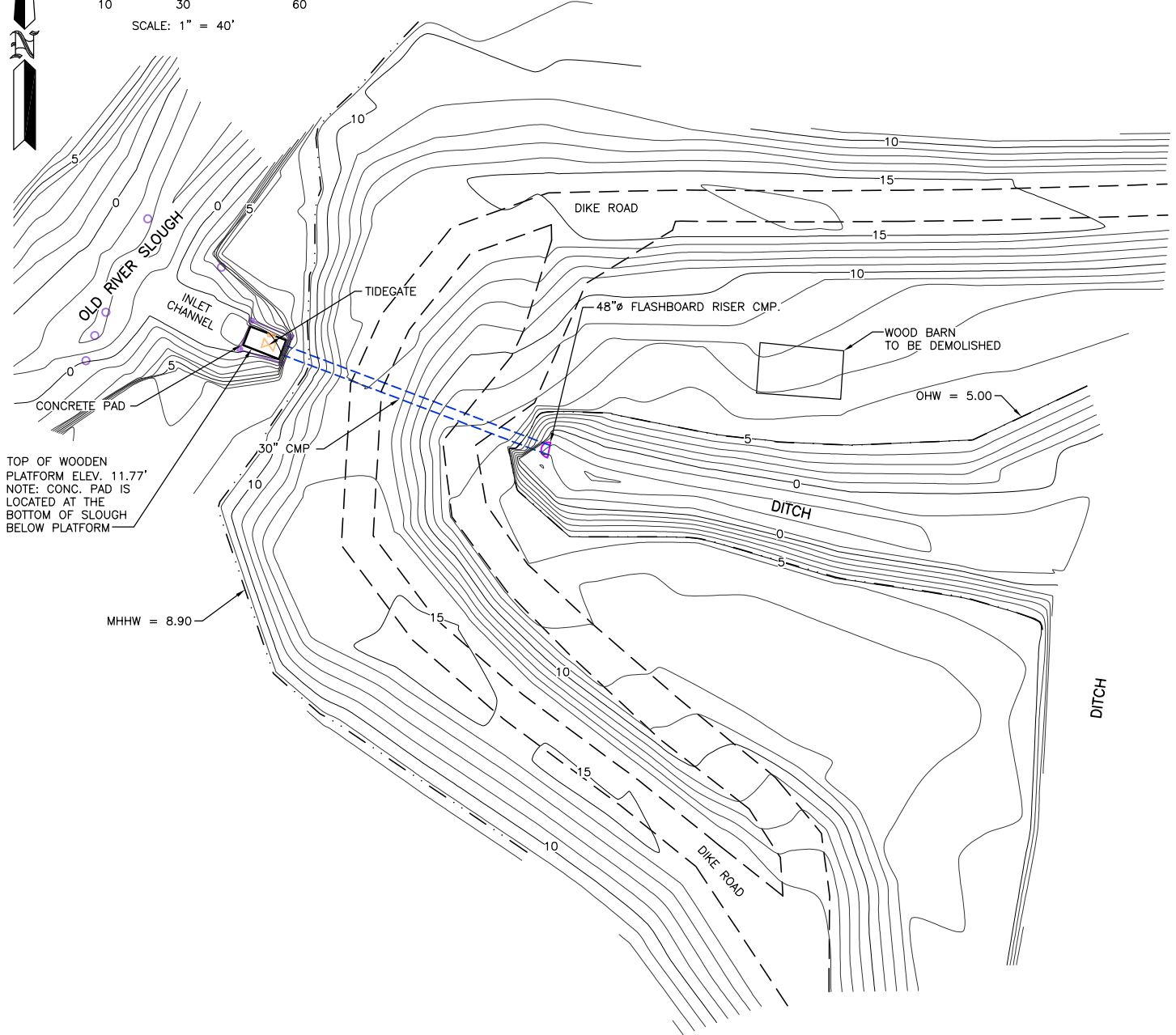
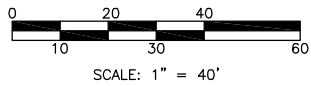
PROJECT LOCATION (ADDRESS):
SKAGIT WLA - SKAGIT BAY ESTUARY UNIT
CONWAY, WA

PROPOSED PROJECT:
BARN PIPE REPLACEMENT

ADJACENT PROPERTY OWNER:

LAT/LONG: 48.317724/-122.364854
DATUM: NAVD88
SHEET 1 OF 7 DATE: 11/18/2014

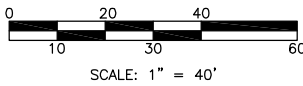
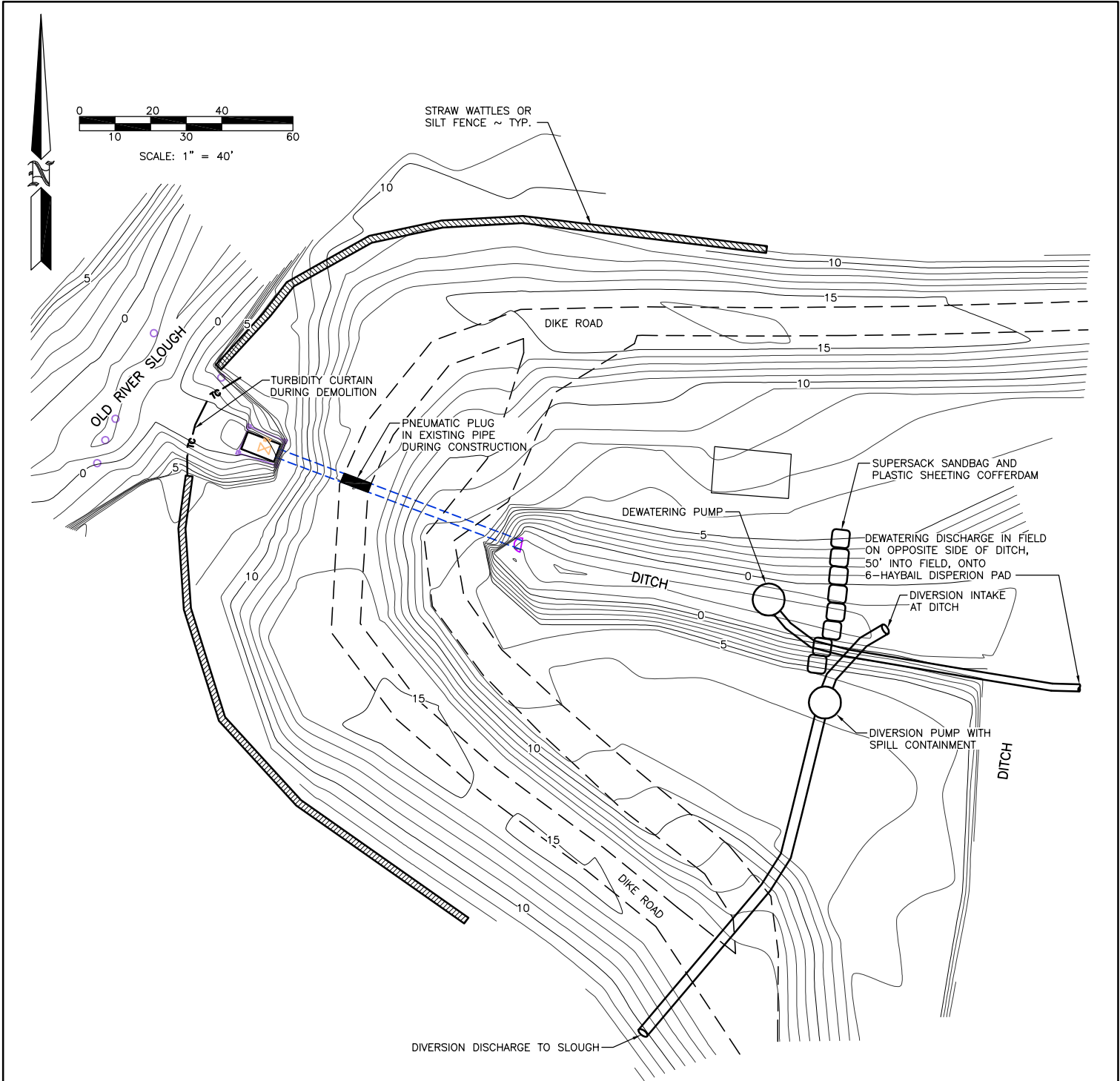
IN: SKAGIT RIVER
NEAR/AT: CONWAY
COUNTY: SKAGIT
STATE: WA



TOP OF WOODEN
PLATFORM ELEV. 11.77'
NOTE: CONC. PAD IS
LOCATED AT THE
BOTTOM OF SLOUGH
BELOW PLATFORM

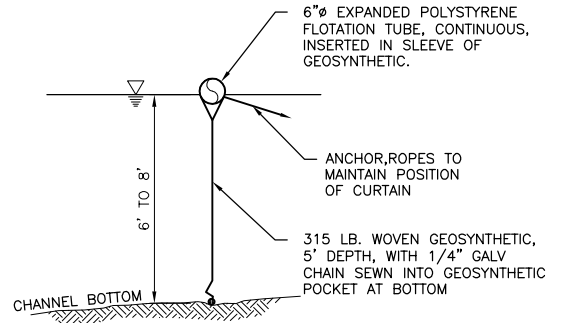
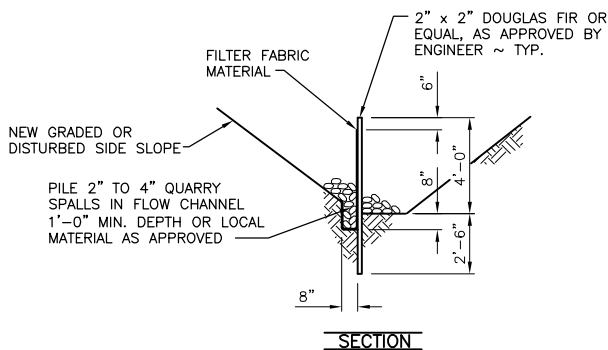
EXISTING SITE PLAN
SCALE: 1" = 40'

REFERENCE NUMBER:
APPLICANT NAME:
WASHINGTON DEPT. of FISH & WILDLIFE
PROPOSED PROJECT:
BARN PIPE REPLACEMENT
LOCATION: SKAGIT WLA - SKAGIT BAY ESTUARY
SHEET 2 OF 7 DATE: 11/18/2014



COFFERDAM & DEWATERING PLAN
SCALE: 1" = 40'

REFERENCE NUMBER:
 APPLICANT NAME:
 WASHINGTON DEPT. of FISH & WILDLIFE
 PROPOSED PROJECT:
 BARN PIPE REPLACEMENT
 LOCATION: SKAGIT WLA - SKAGIT BAY ESTUARY
 SHEET 3 OF 7 DATE: 11/18/2014

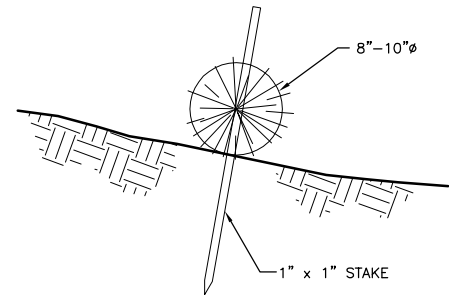
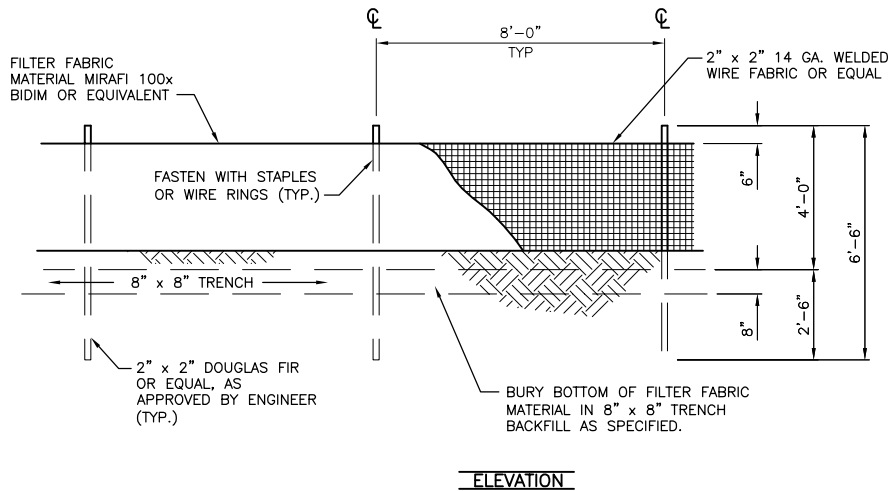


TURBIDITY CURTAIN (TC)

NOT TO SCALE

NOTES:

1. TURBIDITY CURTAIN AVAILABLE FROM NORTHWEST LININGS, KENT, WA.
2. GEOSYNTHETIC SHALL BE PERMEATEX 2315 OR EQUAL.



FILTER FABRIC FENCE

NOT TO SCALE

FILTER FABRIC NOTES:

1. FILTER FABRIC SHALL BE PURCHASED CONTINUOUS ROLL CUT TO LENGTH OF BARRIER AS NEEDED. IF JOINTS ARE NECESSARY FABRIC SHALL BE SPLICED TOGETHER ONLY AT SUPPORT POSTS WITH A MINIMUM OF (6) INCH OVERLAP. BOTH ENDS SHALL BE SECURED AS REQUIRED.
2. FILTER FABRIC SHALL BE INSTALLED TO FOLLOW CONTOURS. FENCE POSTS SHALL BE SPACED A MAXIMUM OF EIGHT (8) FEET APART UNLESS OTHERWISE SHOWN HEREIN. ALL POSTS SHALL BE DRIVEN INTO THE GROUND A MINIMUM OF 30 INCHES.
3. A TRENCH SHALL BE EXCAVATED, ROUGHLY EIGHT (8) INCHES WIDE BY EIGHT (8) INCHES DEEP UP SLOPE AND ADJACENT TO THE POST TO ALLOW THE FILTER FABRIC TO BE BURIED.
4. WHEN STANDARD STRENGTH FILTER FABRIC IS UTILIZED, A WIRE SINGLE SPACE MESH SUPPORT FENCE SHALL BE FASTENED TO THE UPSLOPE (OR UPSTREAM) SIDE OF THE POSTS USING ONE (1) INCH MINIMUM LENGTH WIRE STAPLES, TIE WIRE OR APPROVED HOG RINGS. ALL WIRE SUPPORT SHALL EXTEND INTO THE TRENCH A MINIMUM OF FOUR (4) INCHES AND SHALL NOT EXTEND MORE THAN 36 INCHES ABOVE ORIGINAL GRADE.
5. ALL FILTER FABRIC SHALL BE STAPLED OR WIRED TO SUPPORT FENCING AND A MINIMUM OF 20 INCHES OF FABRIC SHALL BE EXTENDED INTO THE TRENCH. FILTER FABRIC SHALL NOT BE STAPLED OR FASTENED TO EXISTING TREES OF STRUCTURES UNLESS OTHERWISE APPROVED BY THE ENGINEER.
6. IF HIGH STRENGTH FILTER FABRIC AND CLOSER SPACING ARE USED, THE WIRE SUPPORT FENCING MAY BE ELIMINATED. HIGH STRENGTH FABRIC SHALL BE STAPLED OR WIRED DIRECTLY TO POSTS AS REQUIRED BY THE ENGINEER.
7. CUTOFF TRENCH SHALL BE BACKFILLED WITH 3/4 INCH MINIMUM DIAMETER WASHED GRAVEL OR OTHER SIMILAR SOURCE AS APPROVED BY THE ENGINEER.
8. FILTER FENCING SHALL BE INSTALLED WHERE SHOWN ON THE PLAN, OR AS MARKED IN THE FIELD BY THE ENGINEER, PRIOR TO COMMENCEMENT OF WORK. ALL FENCING SHALL BE INSPECTED DAILY DURING CONSTRUCTION AND AFTER EACH SIGNIFICANT RAINFALL EVENT UNTIL SITE HAS BEEN PERMANENTLY STABILIZED. ANY REQUIRED REPAIRS SHALL BE MADE IMMEDIATELY.
9. REMOVAL OF TRAPPED SEDIMENT SHALL BE PERFORMED WHEN AMOUNTS REACH APPROXIMATELY 1/3 HEIGHT OF THE FENCE.
10. FILTER FENCING SHALL REMAIN IN-PLACE UNTIL SITE HAS BEEN REVEGETATED TO ORIGINAL CONDITION OR DIRECTED BY THE ENGINEER.

STRAW WATTLE DETAIL

NOT TO SCALE

CONSTRUCTION SPECIFICATIONS:

1. PREPARE THE SLOPE BEFORE THE WATTLING PROCEDURE IS STARTED.
2. SHALLOW GULLIES SHOULD BE SMOOTHED AS WORK PROGRESSES.
3. IT IS CRITICAL THAT ROLLS ARE INSTALLED PERPENDICULAR TO WATER MOVEMENT, PARALLEL TO THE SLOPE CONTOUR.
4. LAY THE ROLL ON THE GROUND SNUGLY AGAINST THE SOIL. MAKE SURE NO GAPS EXIST BETWEEN THE SOIL AND THE STRAW WATTLE.
5. DRIVE THE STAKE THROUGH THE WATTLE INTO SOIL. LEAVE ONLY 1 OR 2 INCHES OF STAKE EXPOSED.
6. INSTALL STAKES AT MOST EVERY 4 FEET APART THROUGH THE WATTLE.
7. INSPECT THE STRAW ROLLS AND THE SLOPES AFTER SIGNIFICANT STORMS. MAKE SURE THE ROLLS ARE IN CONTACT WITH THE SOIL.
8. REPAIR ANY RILLS OR GULLYS PROMPTLY.
9. RESEED OR REPLANT VEGETATION IF NECESSARY UNTIL THE SLOPE IS STABILIZED.

REFERENCE NUMBER:

APPLICANT NAME:

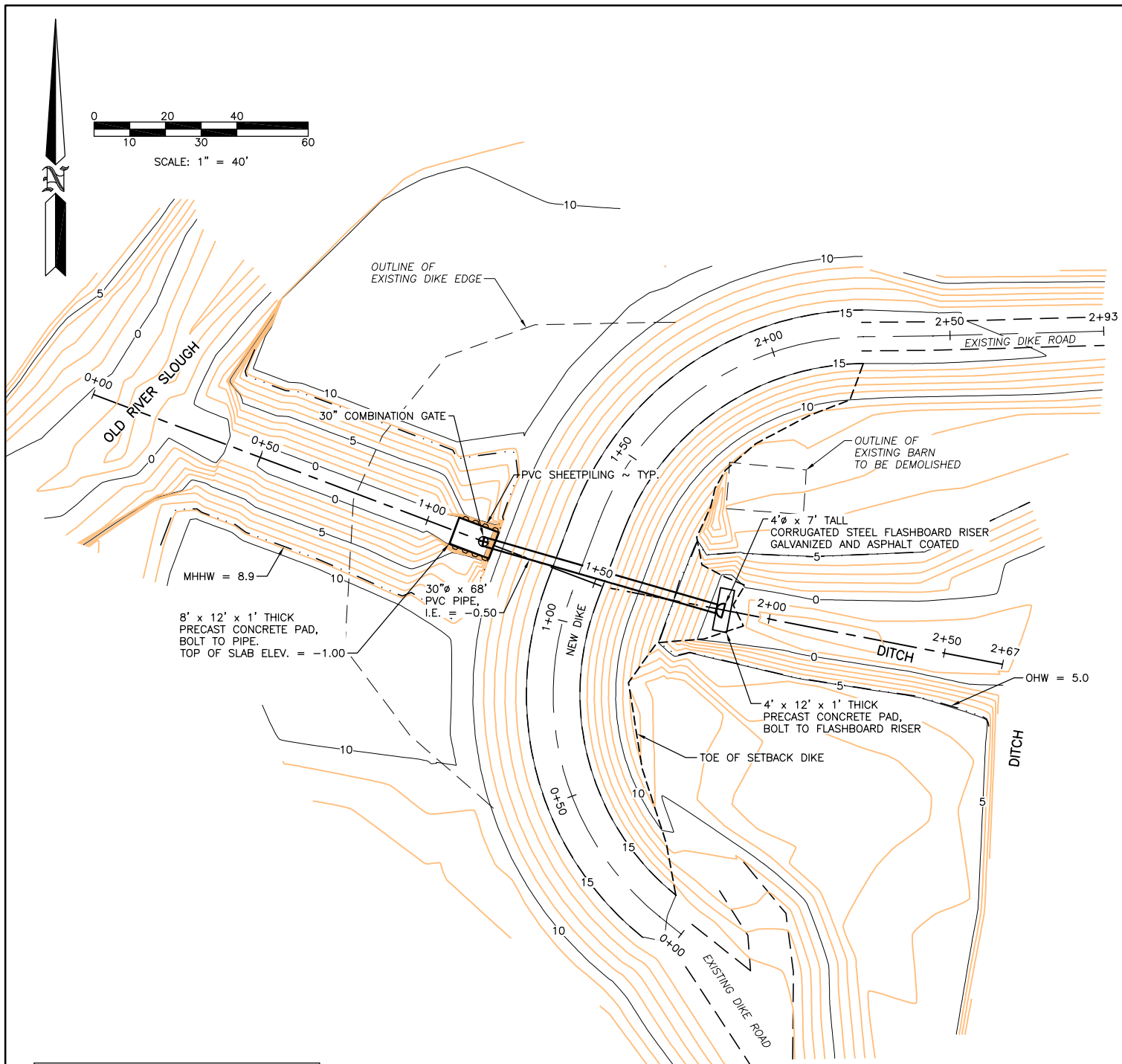
WASHINGTON DEPT. of FISH & WILDLIFE

PROPOSED PROJECT:

BARN PIPE REPLACEMENT

LOCATION: SKAGIT WLA - SKAGIT BAY ESTUARY

SHEET 4 OF 7 DATE: 11/18/2014

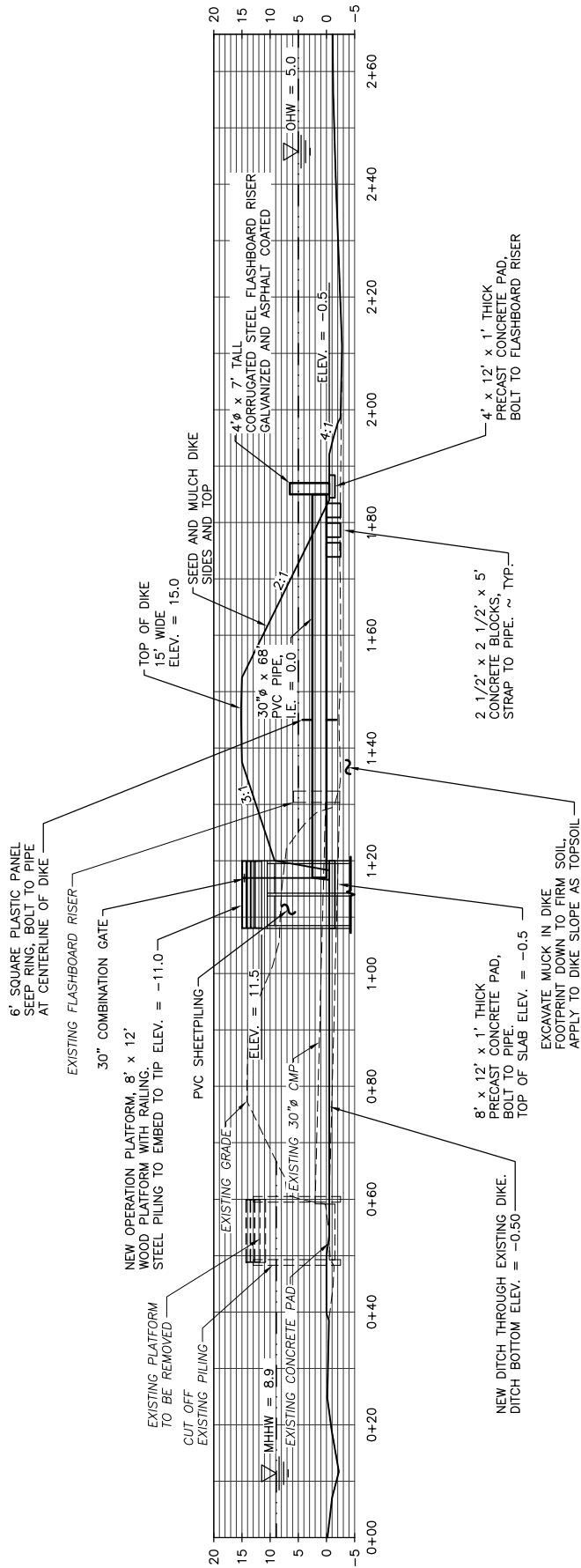


DIKE TOTAL QUANTITIES		
CUT	FILL	NET TOTAL
-2010.68 CY	1772.30 CY	-238.38 CY

PROPOSED SITE PLAN
SCALE: 1" = 40'

MATERIAL	BELOW OHW		ABOVE OHW		TOTAL CY
	SF	CY	SF	CY	
SOIL EXCAVATION	1700	246.54	10,850	1762.10	2008.64
CONCRETE DEMOLITION	55	2.04	0	0	2.04
TOTAL REMOVAL	1755	248.58	10,850	1762.10	2010.68
SOIL BACKFILL	1720	521.95	9035	1245.02	1766.97
CONCRETE FILL	144	5.33	0	0	5.33
TOTAL FILL	1864	527.28	9035	1245.02	1772.30
TOTAL DISTURBED AREA	3619	-	19,885	-	23,504 SF

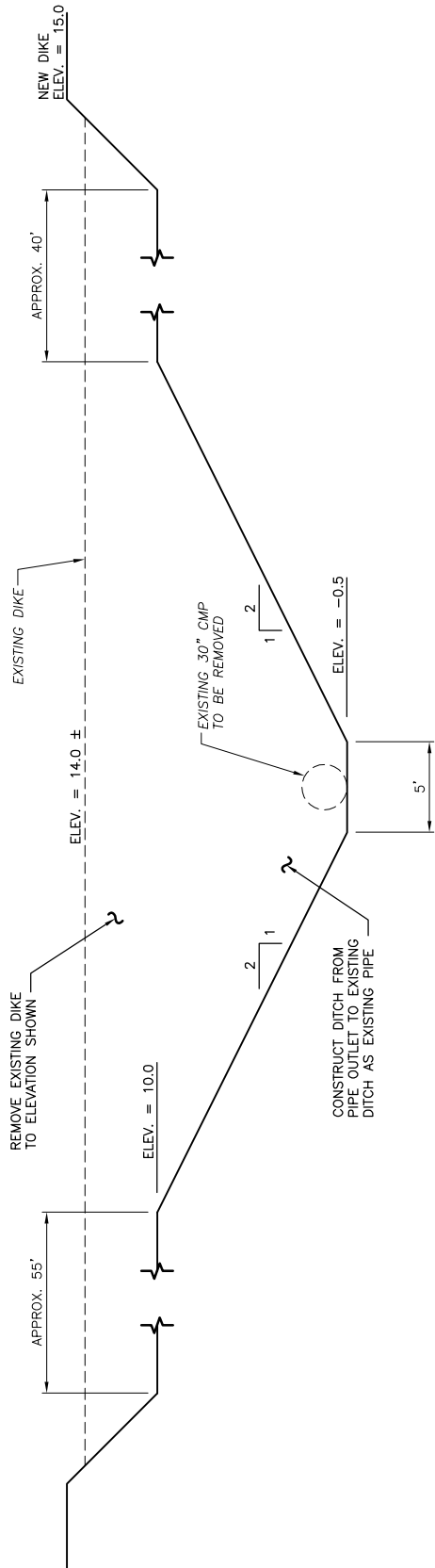
REFERENCE NUMBER:
 APPLICANT NAME:
WASHINGTON DEPT. of FISH & WILDLIFE
 PROPOSED PROJECT:
BARN PIPE REPLACEMENT
 LOCATION: SKAGIT WLA - SKAGIT BAY ESTUARY
 SHEET 5 OF 7 DATE: 11/18/2014



SLOUGH PROFILE

VERTICAL SCALE: 1" = 15'
HORIZONTAL SCALE: 1" = 30'

REFERENCE NUMBER:
 APPLICANT NAME:
 WASHINGTON DEPT. of FISH & WILDLIFE
 PROPOSED PROJECT:
 BARN PIPE REPLACEMENT
 LOCATION: SKAGIT WLA - SKAGIT BAY ESTUARY
 SHEET 6 OF 7 DATE: 11/18/2014



DIKE REMOVAL SECTION

NOT TO SCALE

REFERENCE NUMBER:
 APPLICANT NAME:
 WASHINGTON DEPT. of FISH & WILDLIFE
 PROPOSED PROJECT:
 BARN PIPE REPLACEMENT
 LOCATION: SKAGIT WLA – SKAGIT BAY ESTUARY
 SHEET 7 OF 7 DATE: 11/18/2014