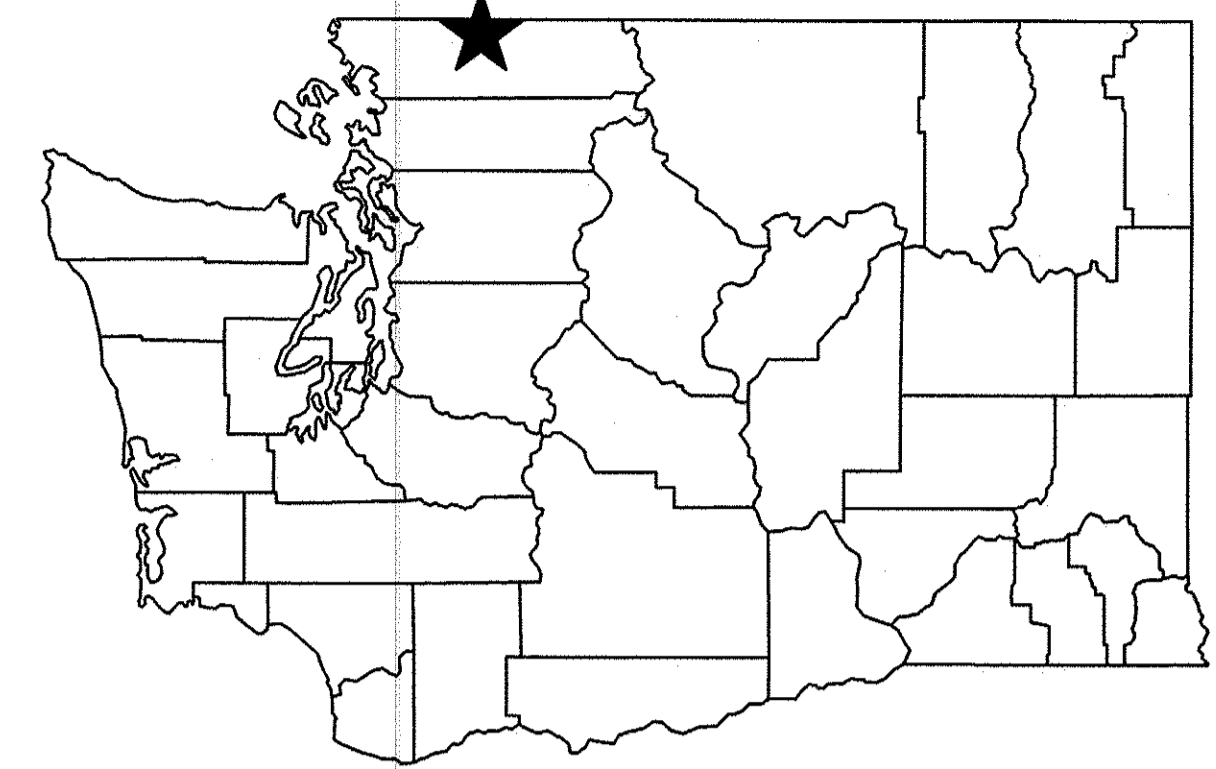


T. 39 N., R. 5 E., SECTION 3

VICINITY MAP
NOT TO SCALE

PROJECT LOCATION



STATE MAP
NOT TO SCALE

WASHINGTON STATE
DEPARTMENT OF FISH AND WILDLIFE



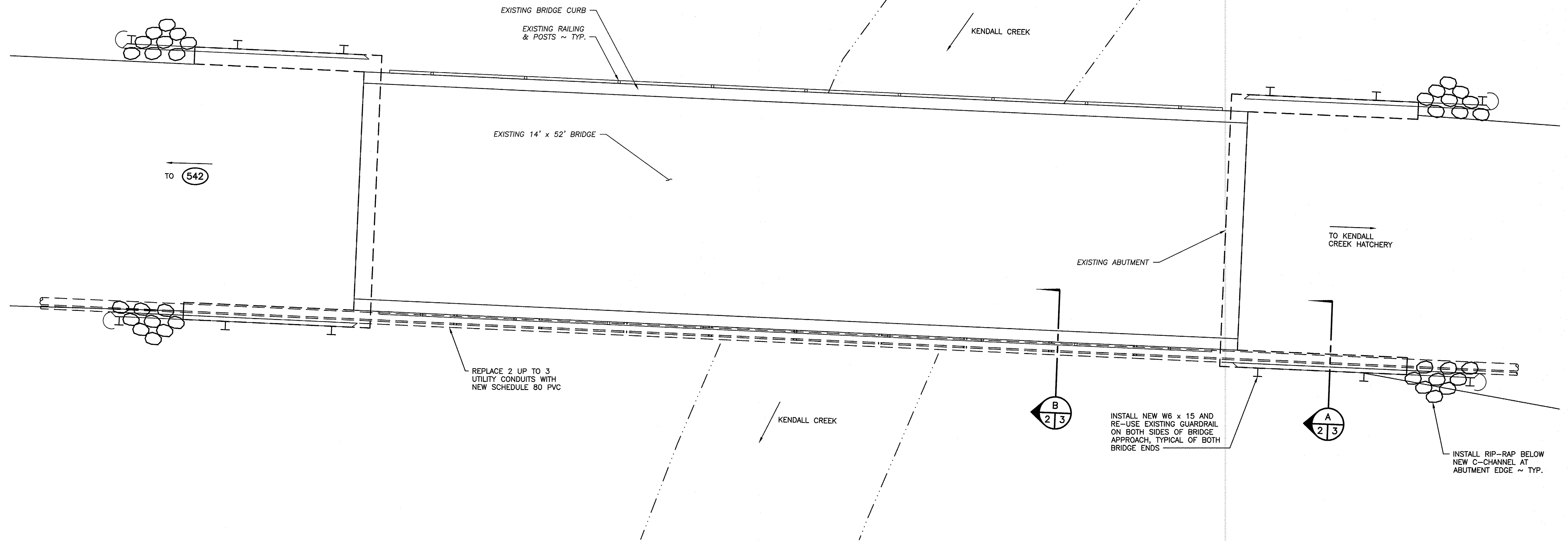
SYM	DATE	REVISION DESCRIPTION	BY
		APPROVED AND RELEASED FOR CONSTRUCTION	
		CHIEF ENGINEER	<i>[Signature]</i>
		PROGRAM	

0 ——— 1"
BAR MEASURES
ONE INCH ON
ORIGINAL DRAWINGS

DESIGNED BY	
CHECKED BY	D. SMITH
DRAWN BY	N. HARVEY
DATE	12/15/2017

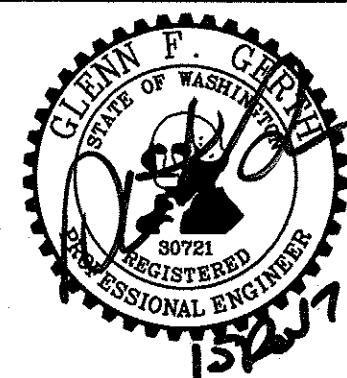
KENDALL CREEK HATCHERY
BRIDGE APPROACH UPGRADES
BRIDGE #R404

PROJECT NO. WM:H21:17-1	
SHEET	OF
1	3



PROPOSED SITE PLAN
SCALE: NOT TO SCALE

WASHINGTON STATE
DEPARTMENT OF FISH AND WILDLIFE

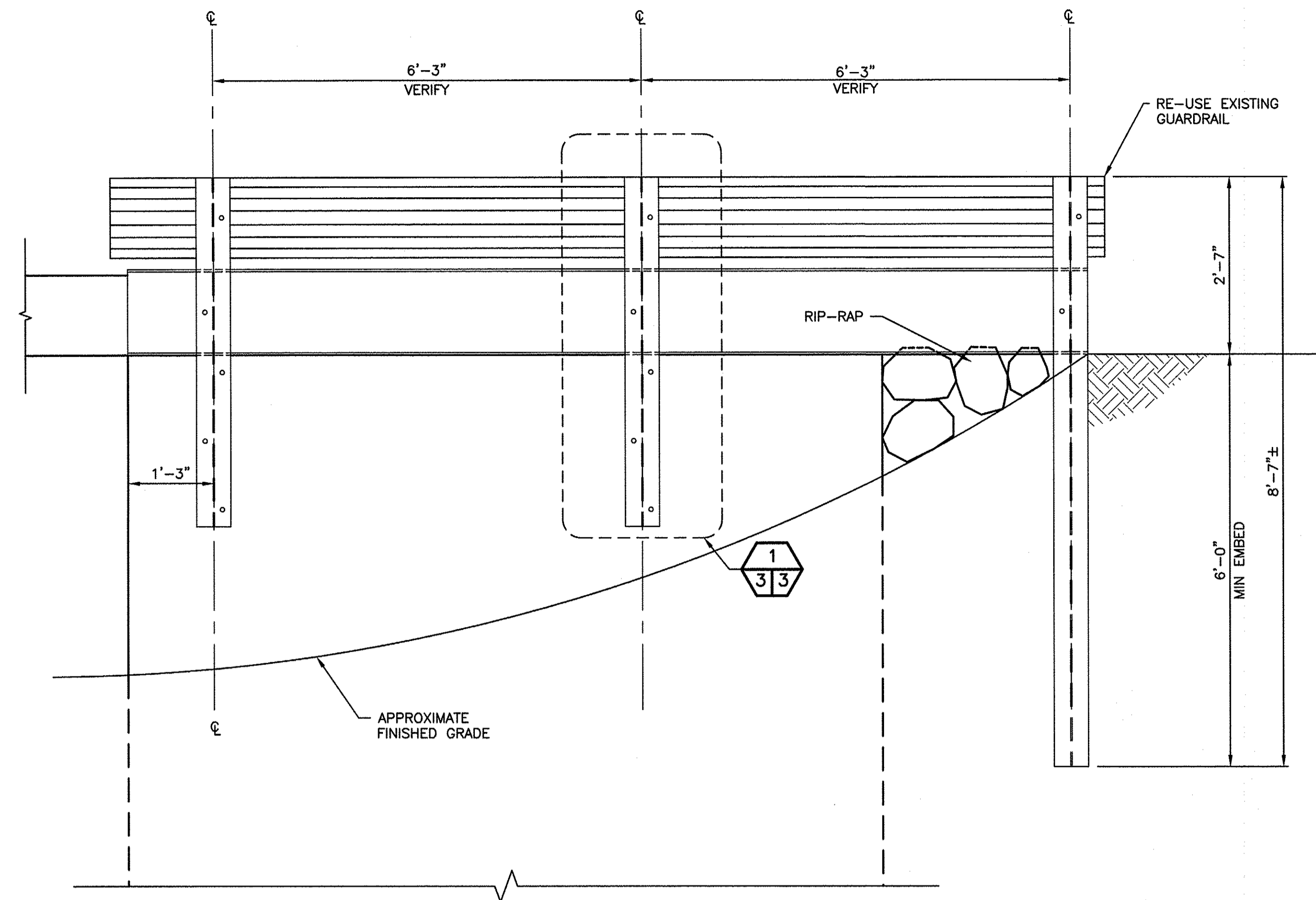


SYM	DATE	REVISION DESCRIPTION	BY
APPROVED AND RELEASED FOR CONSTRUCTION			
CHIEF ENGINEER	<i>DN</i>	DATE: 12/15/17	
PROGRAM		DATE: 12/15/2017	

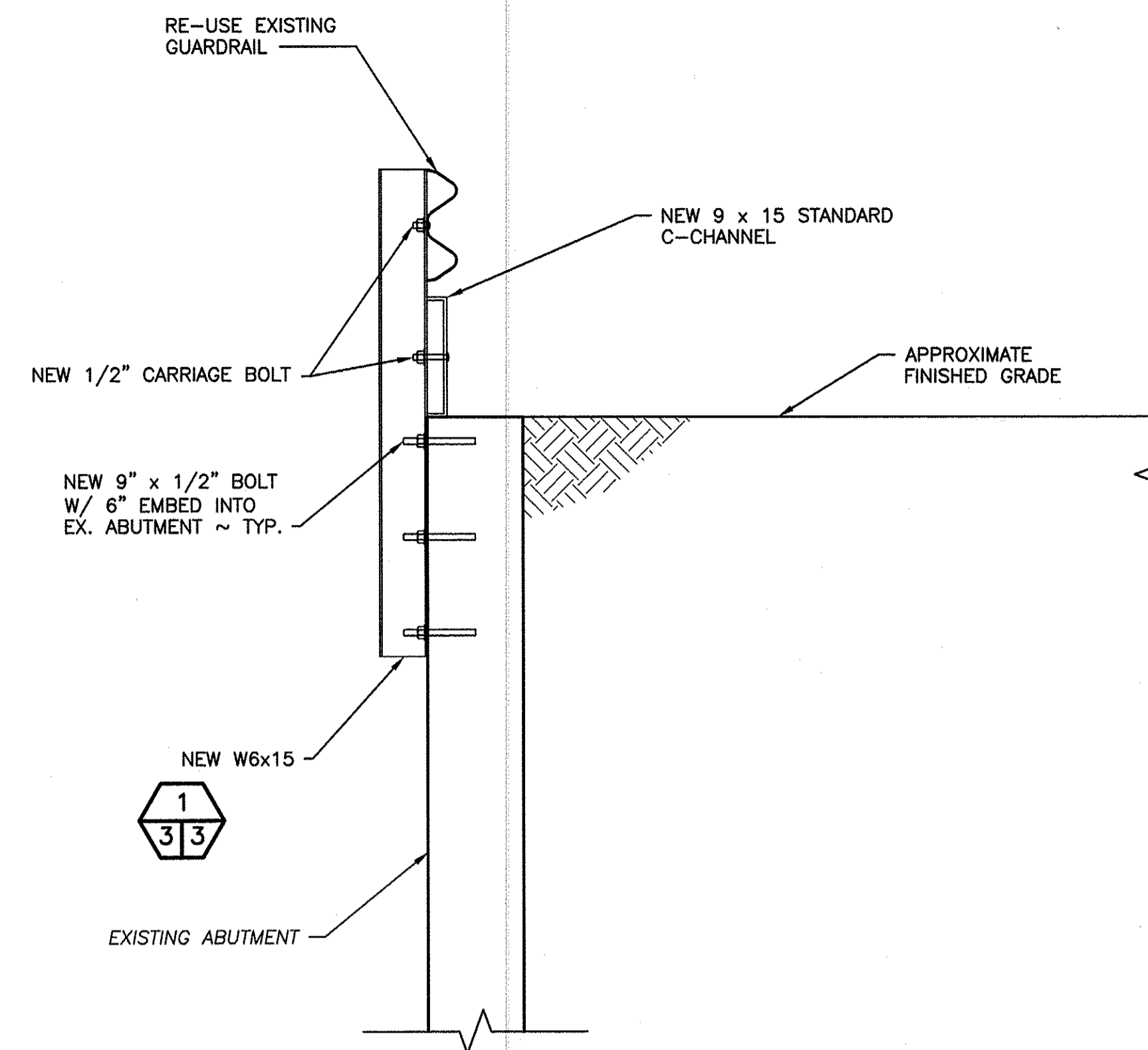
0 ——— 1"
BAR MEASURES
ONE INCH ON
ORIGINAL DRAWINGS

KENDALL CREEK HATCHERY
BRIDGE APPROACH UPGRADE
BRIDGE #R404

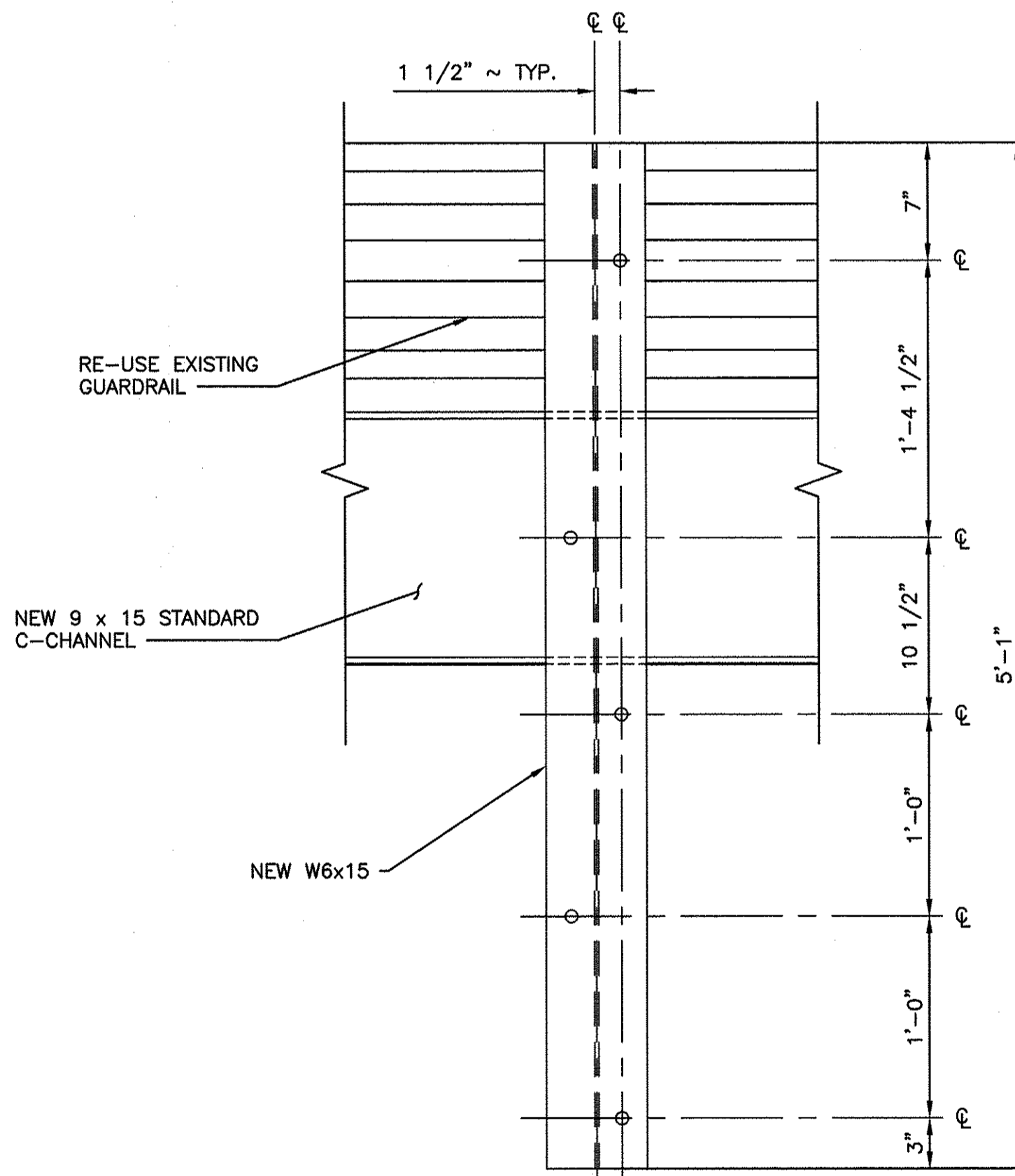
PROJECT NO. WM:H21:17-1	
SHEET	OF
2	3



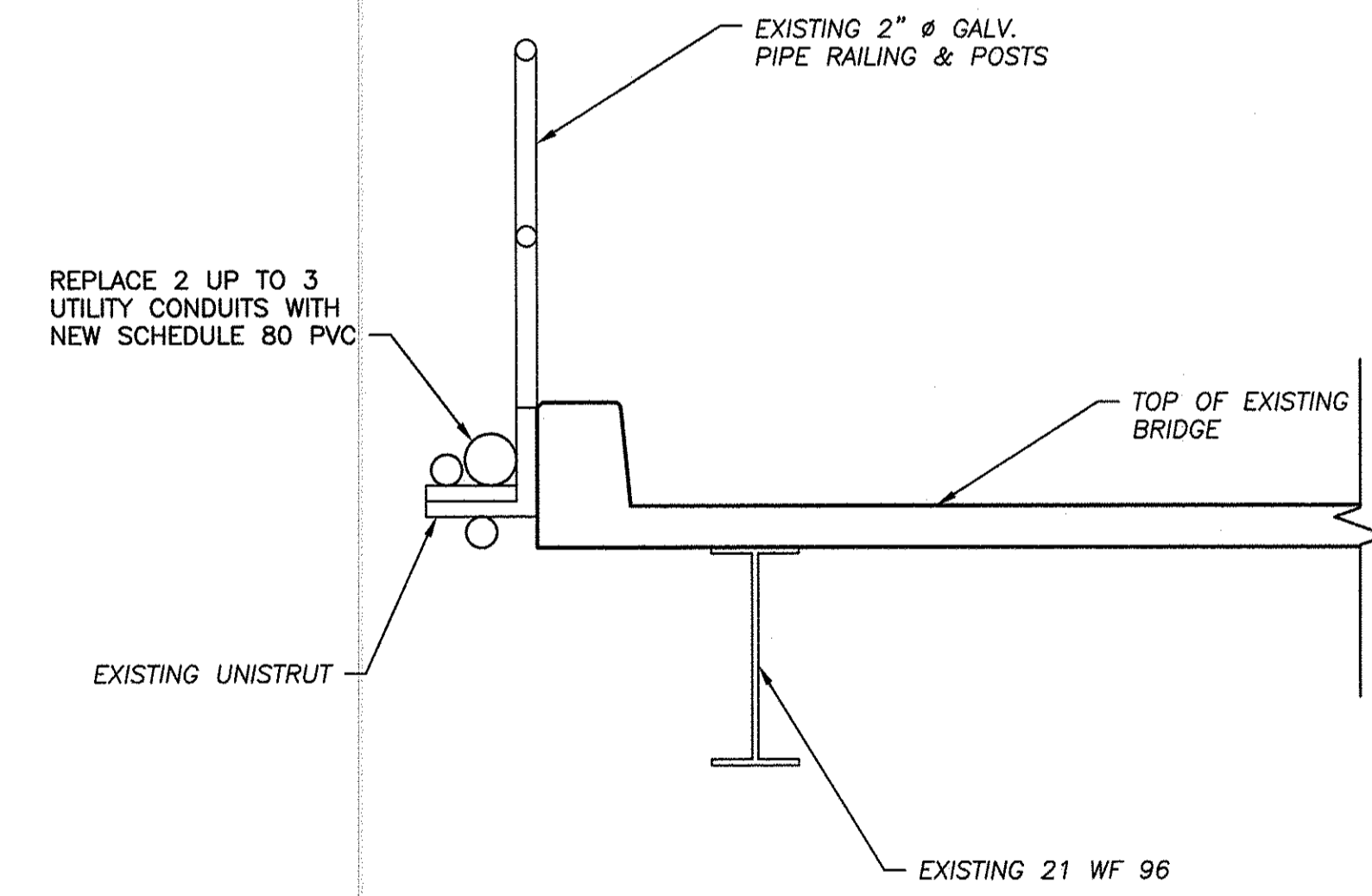
TYPICAL BRIDGE END ELEVATION
SCALE: 3/4" = 1'-0"



SECTION A
SCALE: 3/4" = 1'-0"



POST CONNECTION
SCALE: 1-1/2" = 1'-0"



SECTION B
SCALE: 3/4" = 1'-0"

WASHINGTON STATE
DEPARTMENT OF FISH AND WILDLIFE



SYM	DATE	REVISION DESCRIPTION	BY
APPROVED AND RELEASED FOR CONSTRUCTION			
CHIEF ENGINEER		DATE: 12/15/2017	DESIGNED BY
PROGRAM		DATE: 12/15/2017	CHECKED BY: D. SMITH
			DRAWN BY: N. HARVEY
			DATE: 12/15/2017

0 1"
BAR MEASURES ONE INCH ON ORIGINAL DRAWINGS

KENDALL CREEK HATCHERY
BRIDGE APPROACH UPGRADES
BRIDGE #R404

PROJECT NO. WM:H21:17-1

SHEET 3 OF 3



2017/11/07



2017/11/07

