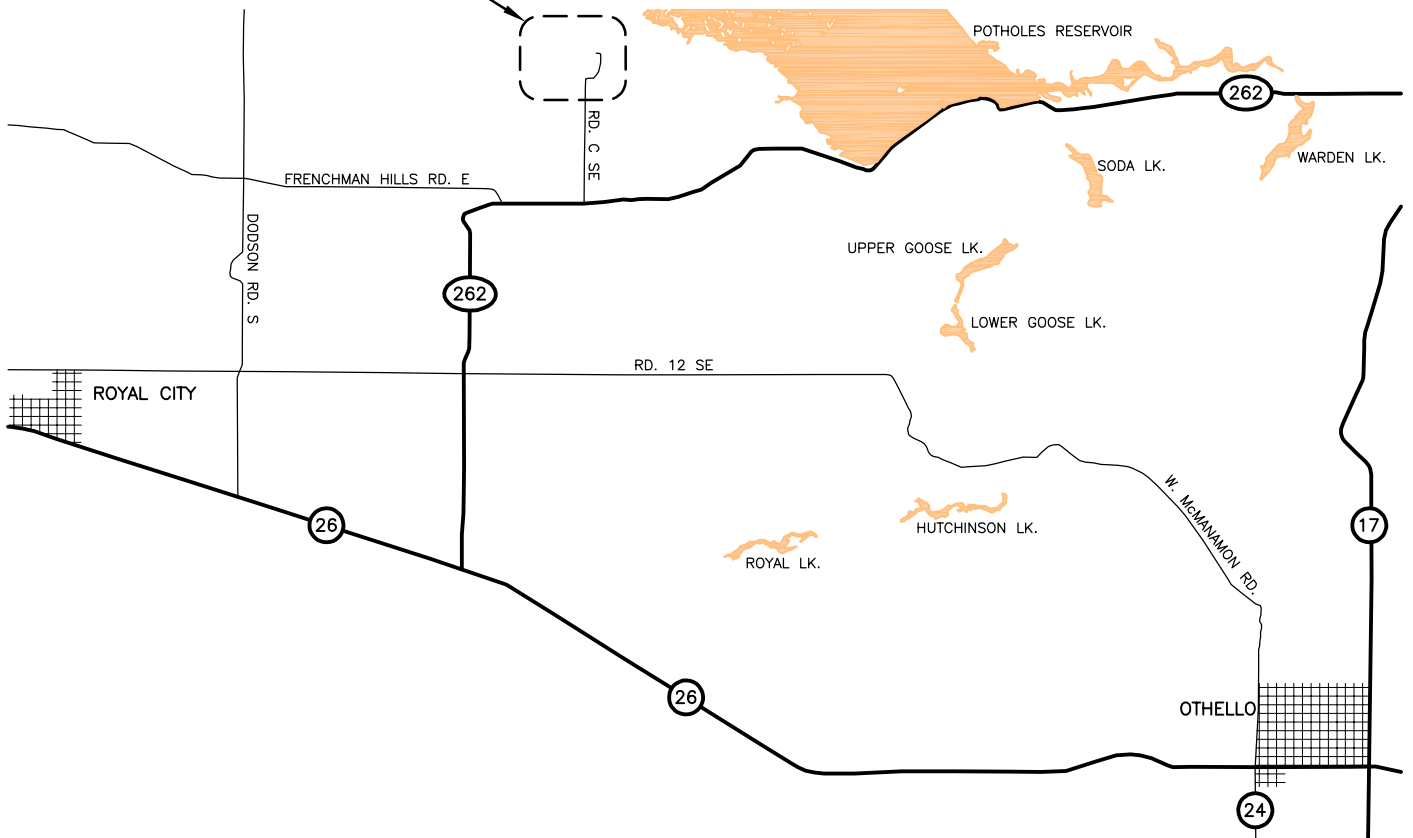


PROJECT LOCATION

STATE MAP
NOT TO SCALE

PROJECT LOCATION



VICINITY MAP
NOT TO SCALE

ENG. PROJECT NO. GT:A216:17-1

PORTION OF: SEC 3, T17N, R27E

DRAWN BY: S. ASHLER

REFERENCE NUMBER:
 APPLICANT:
 WASHINGTON DEPT. of FISH & WILDLIFE
 600 CAPITOL WAY N.
 OLYMPIA, WA 98501-1091

PROJECT LOCATION (ADDRESS):
 FIDESTO-HARRIS ACCESS #1
 ROYAL CITY, WA 99357

PROPOSED PROJECT:
 ABUTMENT REPLACEMENT
 BRIDGE #: R202P

ADJACENT PROPERTY OWNER:

- 1.
- 2.

LAT/LONG: 46.995106 / -119.425306
 DATUM:
 SHEET 1 OF 3 DATE: 03-13-18

IN: WINCHESTER WASTEWAY
 NEAR/AT: ROYAL CITY
 COUNTY: GRANT
 STATE: WA

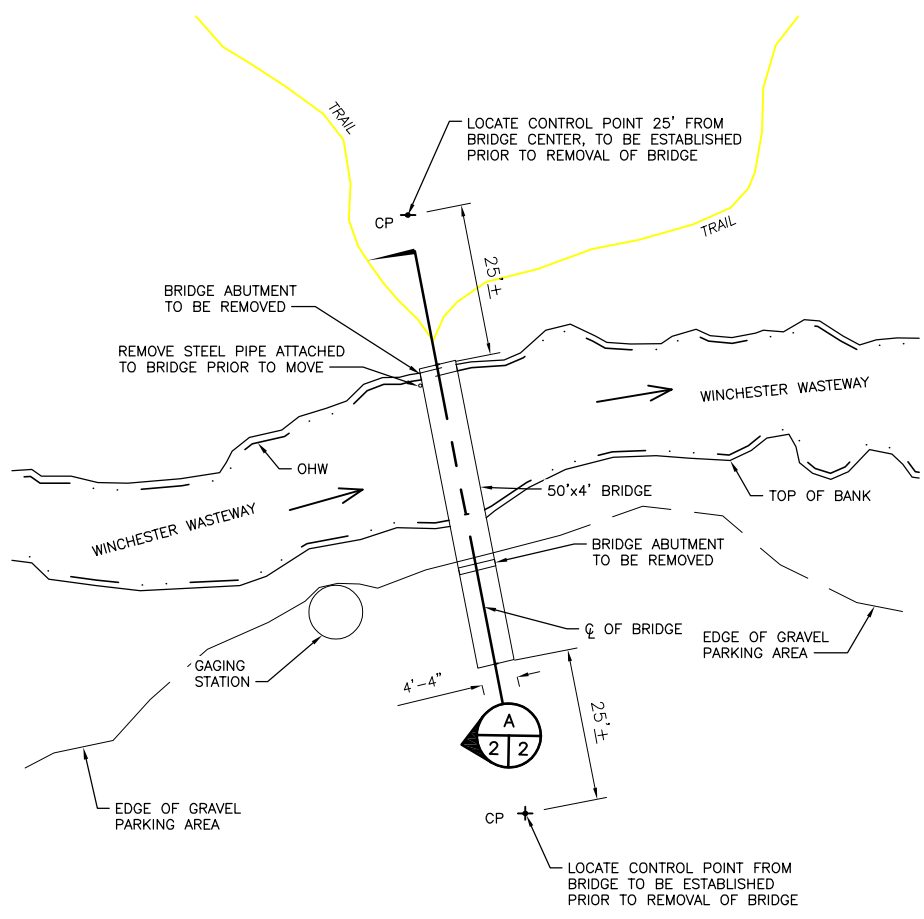
Winchester
Wasteway South



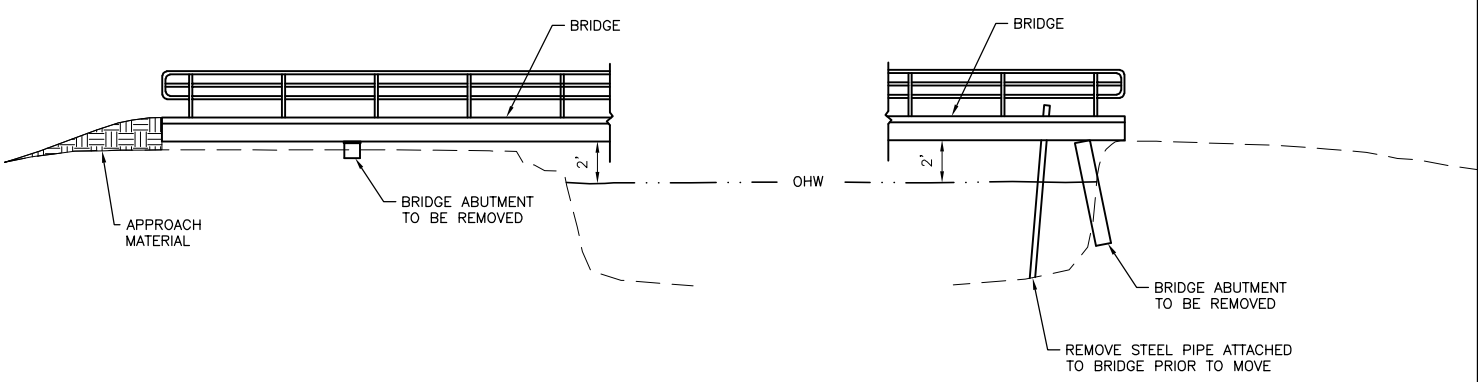
Rd C SE

Rd C SE





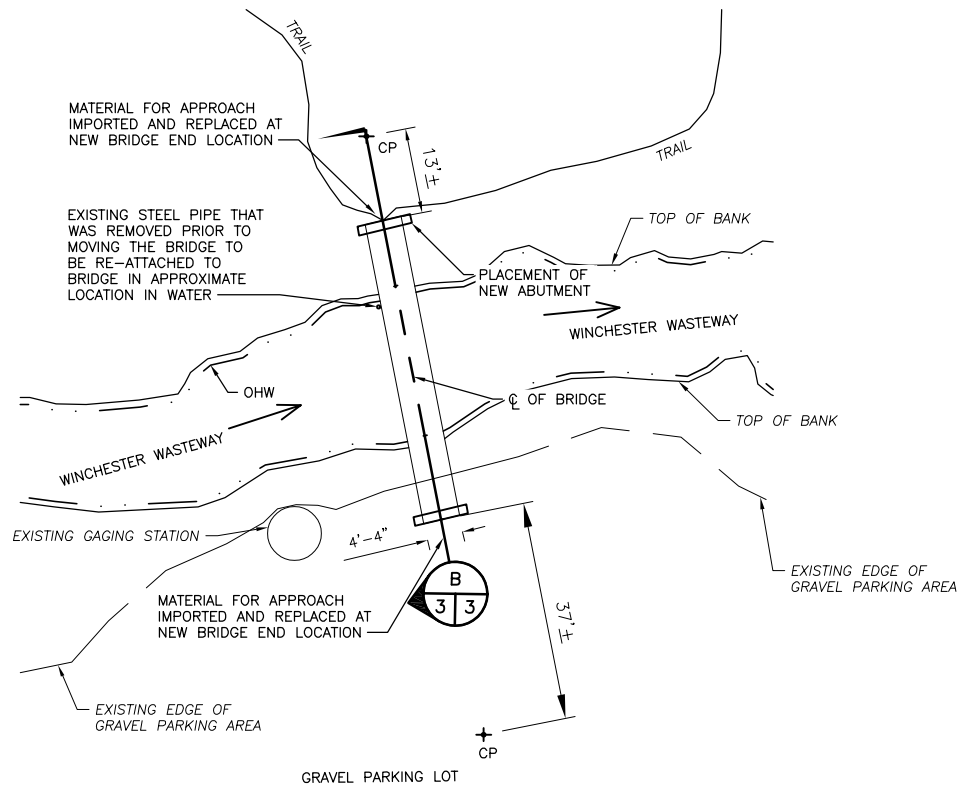
EXISTING SITE PLAN
NOT TO SCALE



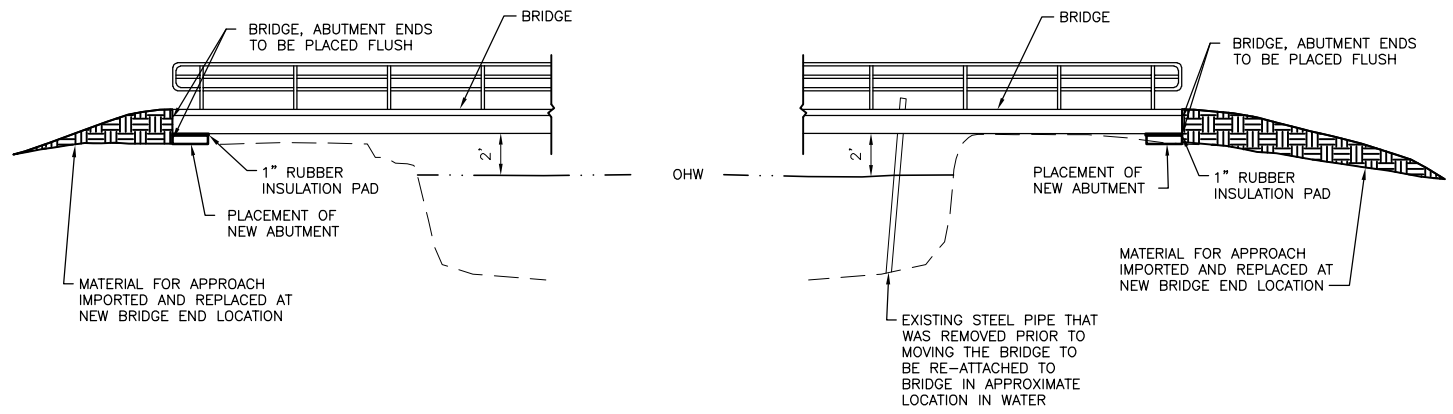
EXISTING SECTION
NOT TO SCALE



REFERENCE NUMBER:
APPLICANT NAME:
WASHINGTON DEPT. of FISH & WILDLIFE
PROPOSED PROJECT:
BRIDGE ABUTMENT REPLACEMENT
LOCATION: **HARRIS ACCESS**
SHEET **2** OF **3** DATE: **03-13-18**



PROPOSED SITE PLAN
NOT TO SCALE



SECTION
NOT TO SCALE

B
3 3

REFERENCE NUMBER:
 APPLICANT NAME:
WASHINGTON DEPT. of FISH & WILDLIFE
 PROPOSED PROJECT:
BRIDGE ABUTMENT REPLACEMENT
 LOCATION: **HARRIS ACCESS**
 SHEET **3** OF **3** DATE: **03-13-18**