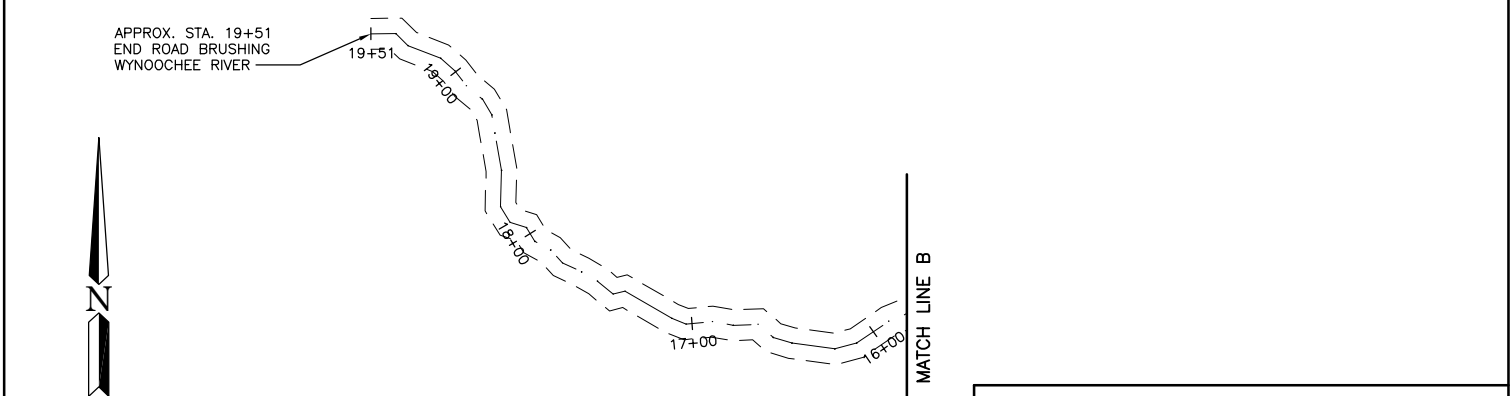
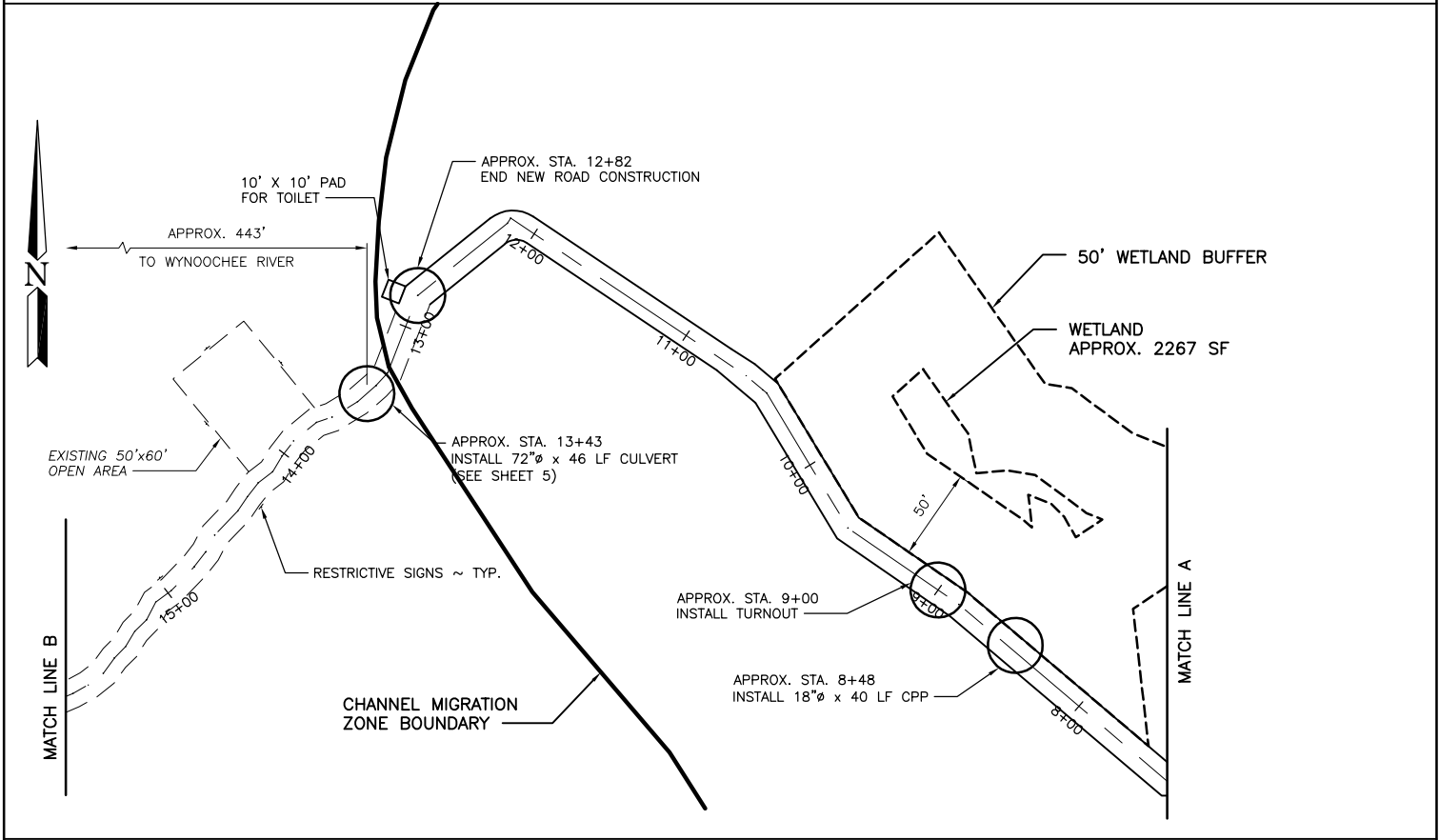
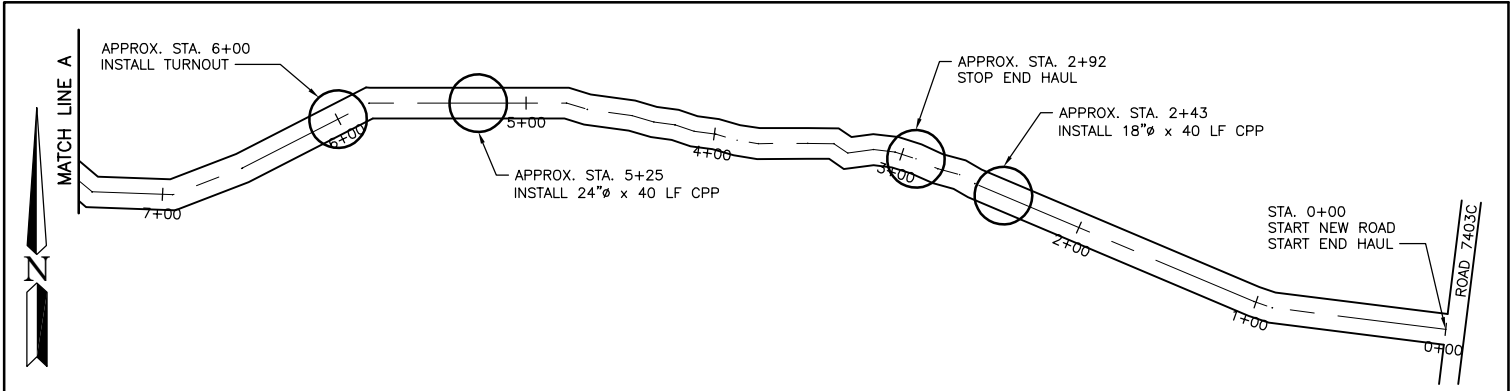


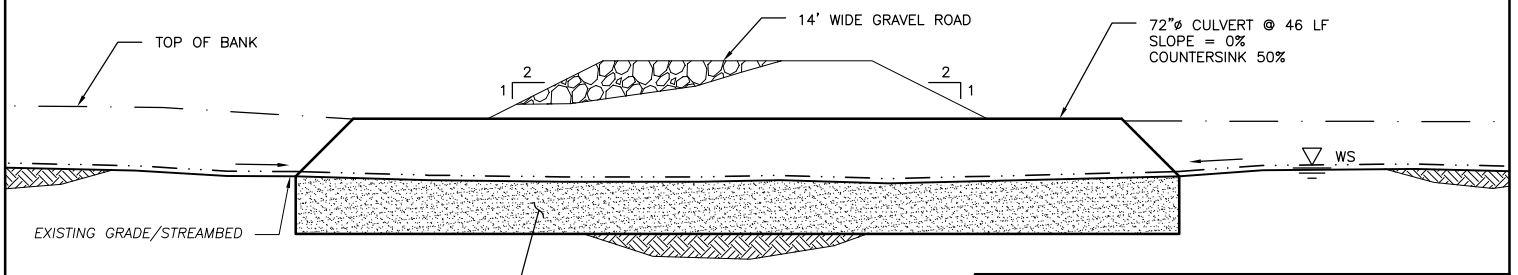
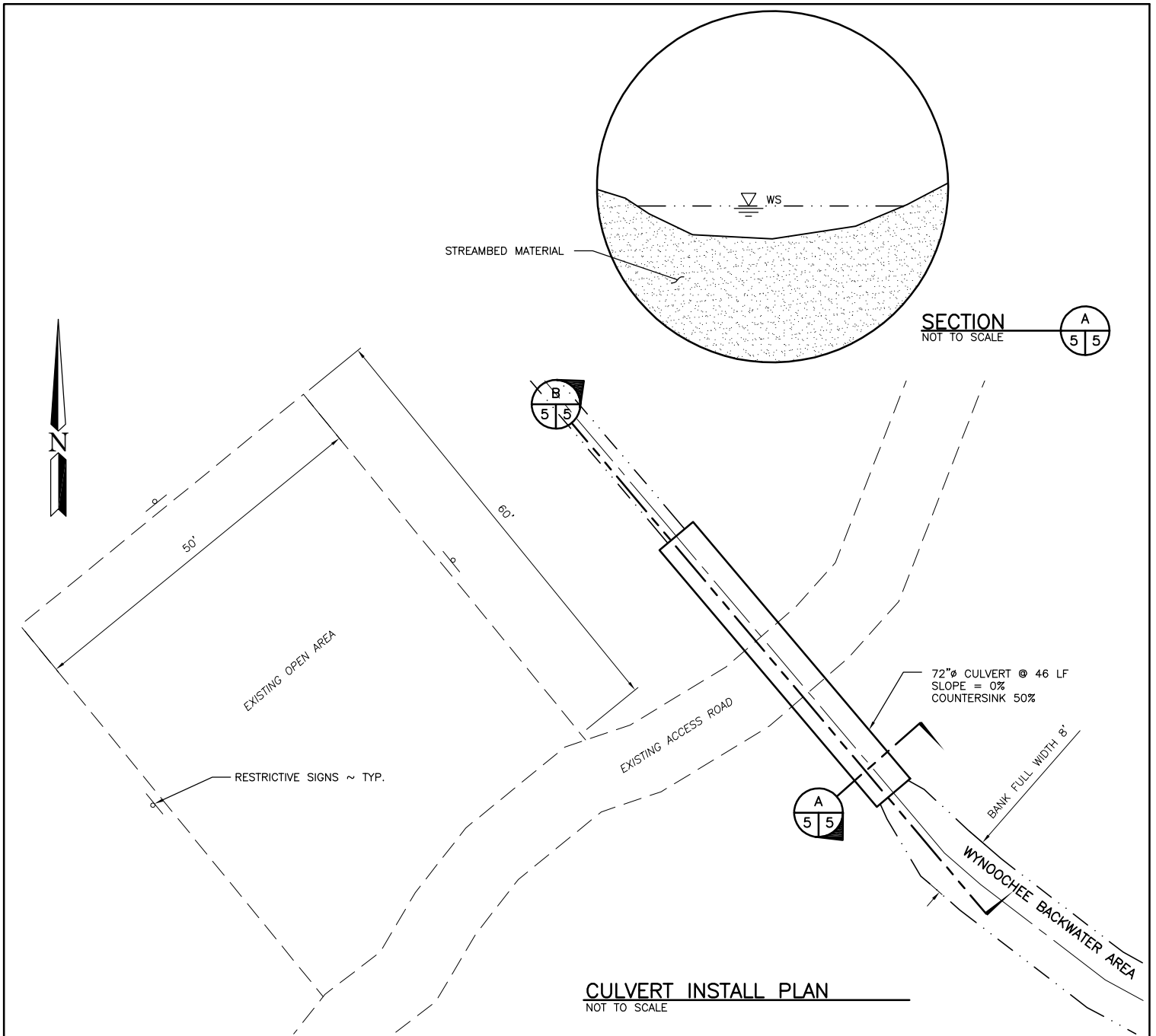
FLOOD LINE LAYOUT
NOT TO SCALE

REFERENCE NUMBER:
 APPLICANT NAME:
WASHINGTON DEPT. of FISH & WILDLIFE
 PROPOSED PROJECT:
RIVER ACCESS DEVELOPMENT
 LOCATION: **WYNOOCHEE RIVER ACCESS**
 SHEET **2** OF **6** DATE: **3/20/2018**

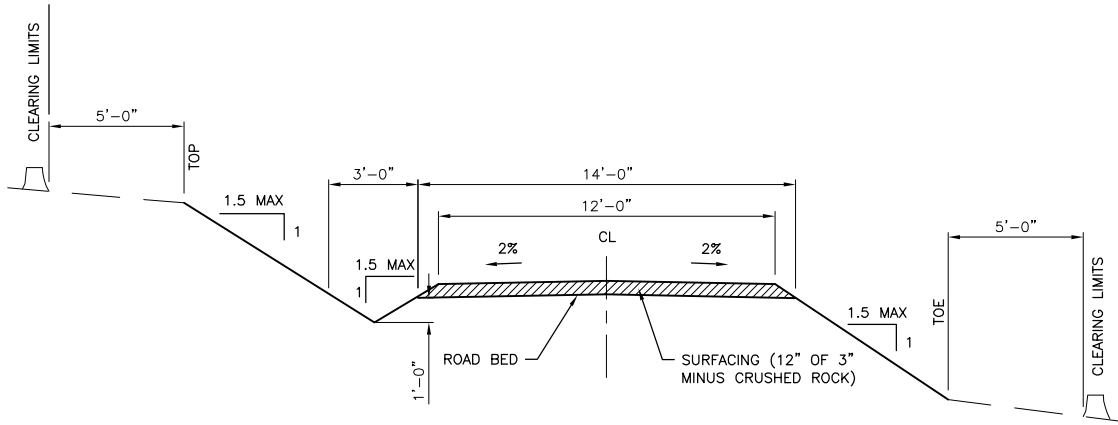


ROAD WORK PLAN
NOT TO SCALE

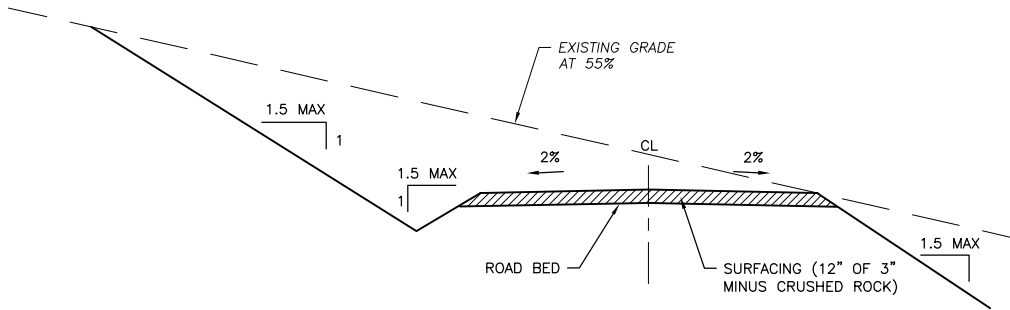
REFERENCE NUMBER:
 APPLICANT NAME:
 WASHINGTON DEPT. of FISH & WILDLIFE
 PROPOSED PROJECT:
 RIVER ACCESS DEVELOPMENT
 LOCATION: WYNOOCHEE RIVER ACCESS
 SHEET 3 OF 6 DATE: 3/20/2018



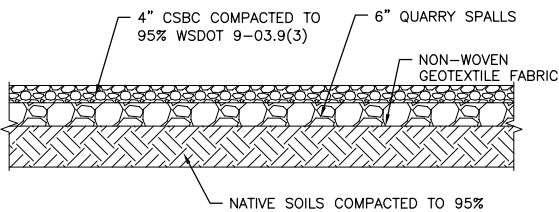
REFERENCE NUMBER:
 APPLICANT NAME:
 WASHINGTON DEPT. of FISH & WILDLIFE
 PROPOSED PROJECT:
 RIVER ACCESS DEVELOPMENT
 LOCATION: WYNOOCHEE RIVER ACCESS
 SHEET 4 OF 6 DATE: 3/20/2018



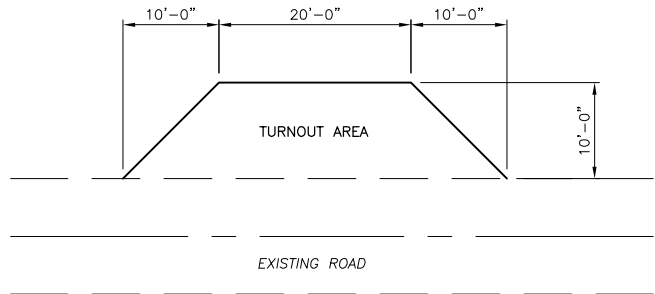
TYPICAL ROAD DETAIL
NOT TO SCALE



TYPICAL BENCH CONSTRUCTION DETAIL
NOT TO SCALE



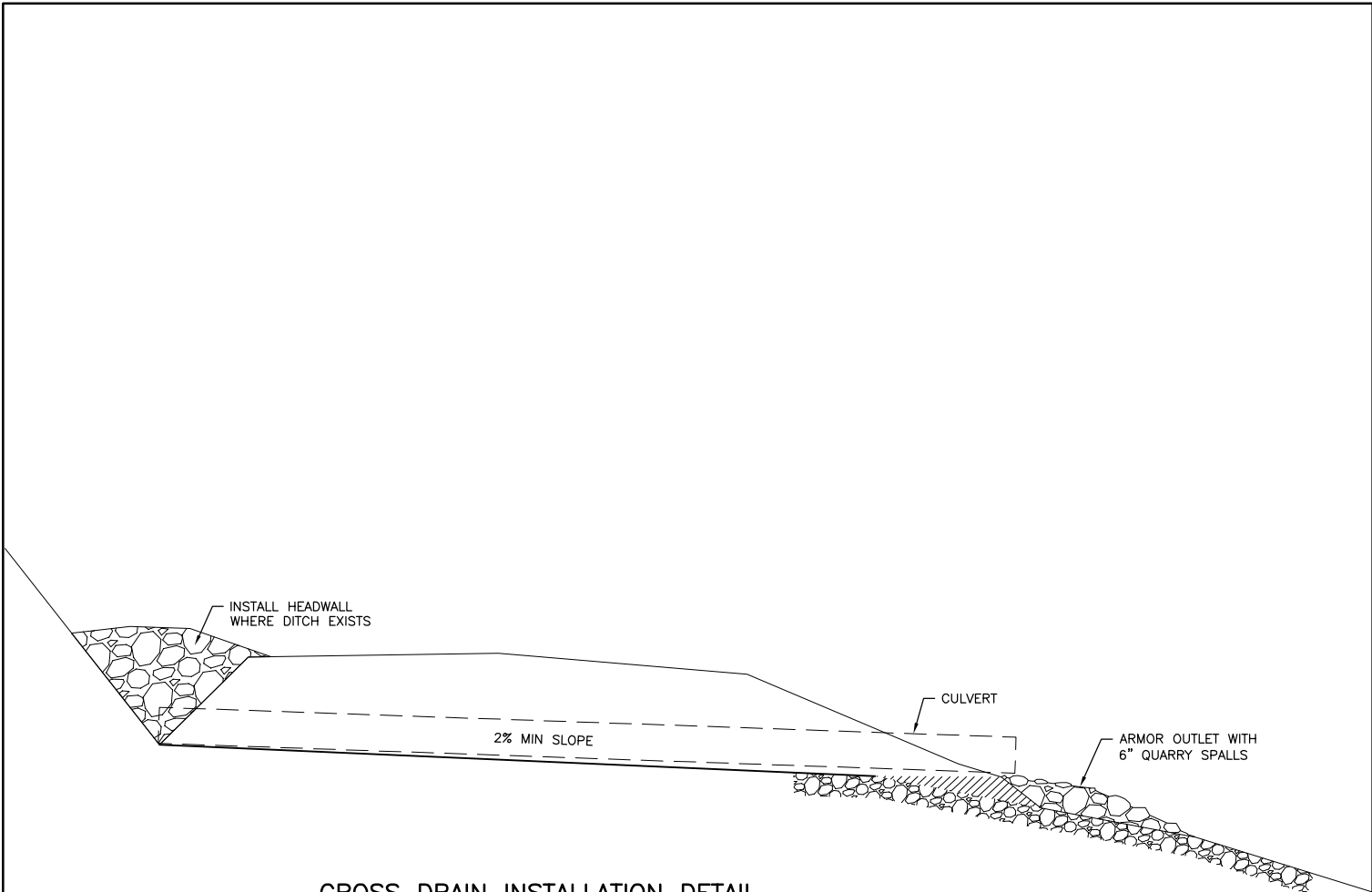
GRAVEL DETAIL
NOT TO SCALE



TURNOUT PLAN
NOT TO SCALE

QUANTITIES	
MATERIAL	QUANTITY
END HAUL MATERIAL	2300 CY
CRUSHED ROCK	1200 CY
GEOTEXTILE FABRIC	11,235 SF

REFERENCE NUMBER:
 APPLICANT NAME:
WASHINGTON DEPT. of FISH & WILDLIFE
 PROPOSED PROJECT:
RIVER ACCESS DEVELOPMENT
 LOCATION: WYNOOCHEE RIVER ACCESS
 SHEET 5 OF 6 DATE: 3/20/2018



CROSS DRAIN INSTALLATION DETAIL

NOT TO SCALE

NOTE:

72 INCH CORRUGATED METAL PIPE
WILL BE INSTALLED IN THE DRY.

REFERENCE NUMBER:
 APPLICANT NAME:
WASHINGTON DEPT. of FISH & WILDLIFE
 PROPOSED PROJECT:
RIVER ACCESS DEVELOPMENT
 LOCATION: **WYNOOCHEE RIVER ACCESS**
 SHEET **6** OF **6** DATE: **3/20/2018**