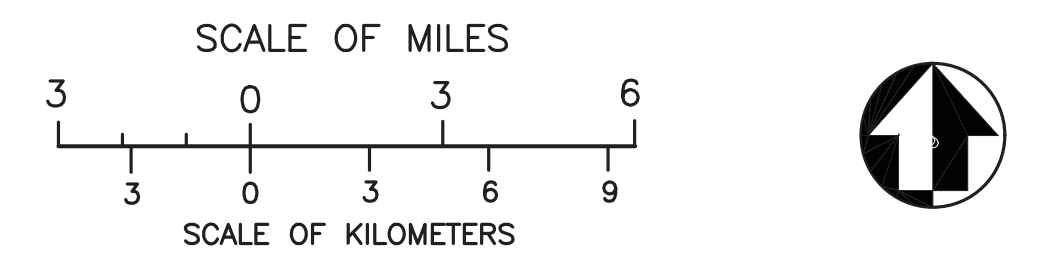


INDEX

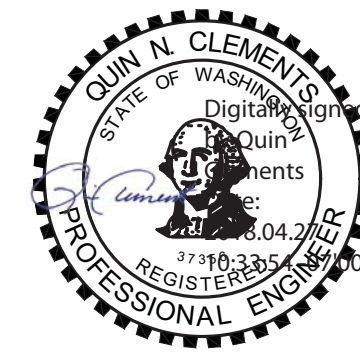
SHEET	SUB SHEET	TITLE OF SHEET
1	G01	COVER SHEET
2	G02	GENERAL NOTES, LEGEND & ABBREVIATIONS
3	G03	GENERAL NOTES, LEGEND & ABBREVIATIONS
4	G04	GENERAL NOTES & LEGENDS
5	C01	EXISTING CONDITIONS, SITE, & DEMO PLAN
6	C02	EXISTING BOATHOUSE DEMO PLAN
7	C03	EXISTING BOATHOUSE DEMO DETAILS
8	C04	SITE PLAN
9	C05	CONCRETE FLOAT PLAN
10	C06	FLOAT SECTION & DETAILS
11	C07	FLOAT SECTION & DETAILS
12	A1.0	FLOOR & ROOF PLAN
13	A2.0	EXTERIOR ELEVATIONS
14	A3.0	BUILDING SECTIONS A & B
15	A4.0	DETAILS
16	S1.0	BASE LAYOUT
17	S2.0	ROOF FRAMING PLAN
18	S3.0	SHEARWALL PLAN
19	S4.0	ANCHOR SYSTEM DETAILS
20	S5.0	WOOD DETAILS
21	E1.0	SITE PLAN & LEGEND
22	E2.0	RISER DIAGRAM & PANEL SCHEDULES

NORTH CASCADES NATIONAL PARK

PROJ. NO. P16PD00717



BASIC DATA: USGS TOPO MAP 1976; PARK MINI FOLDER; REVISED & REDRAWN 6/94. UPDATED 11/98. SGS.



A/E FIRM
CIVIL:
DCG, INC.
SEATTLE, WA



CONSTRUCTION DOCUMENTS

UNITED STATES
DEPARTMENT OF THE INTERIOR

NATIONAL PARK SERVICE
PACIFIC WEST REGIONAL OFFICE

TITLE OF PROJECT
DIABLO LAKE BOATHOUSE

LOCATION WITHIN PARK
DIABLO LAKE

NAME OF PARK
NORTH CASCADES NATIONAL PARK

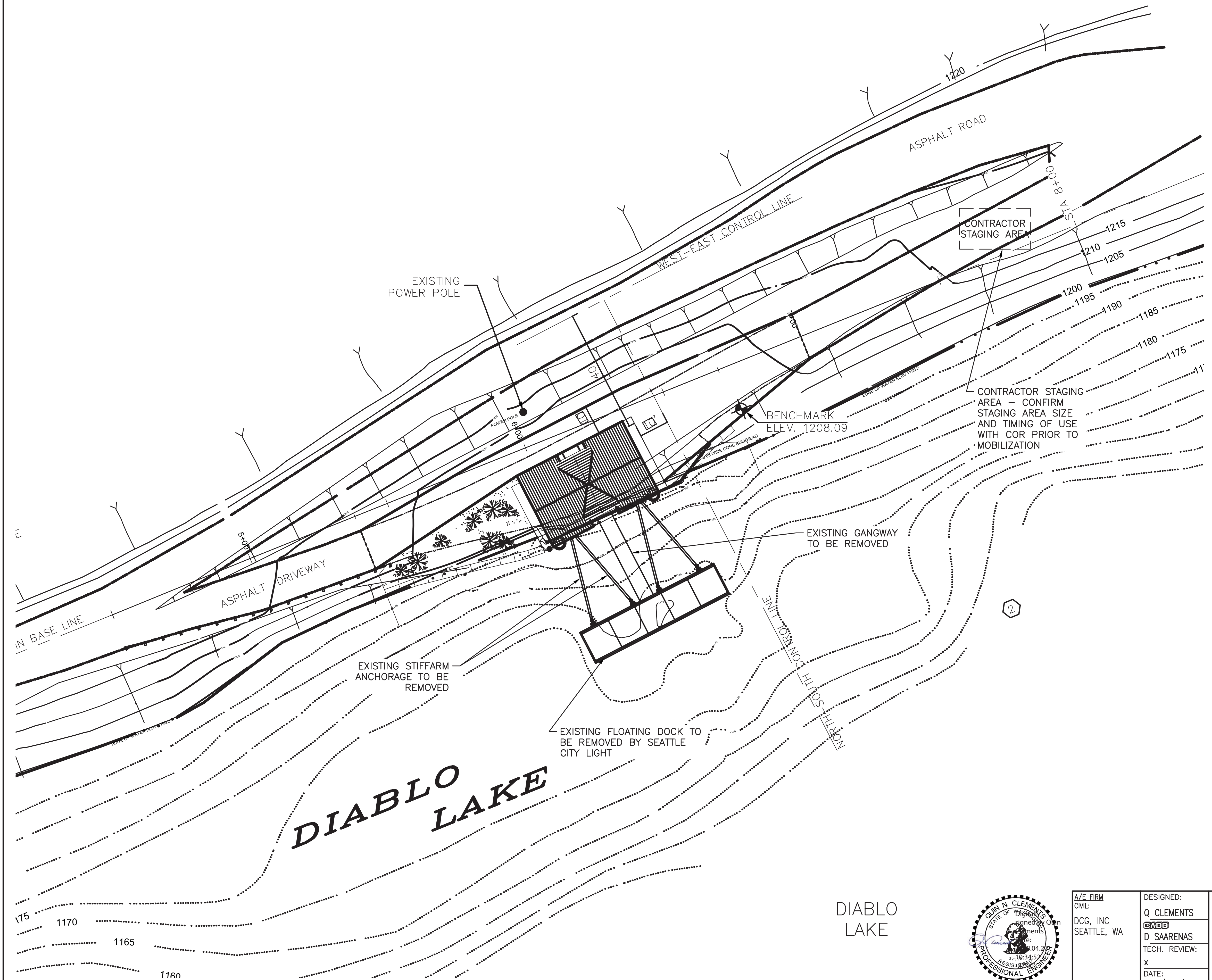
REGION COUNTY STATE
PACIFIC WEST WHATCOM WA

DRAWING NO.
168

129,188

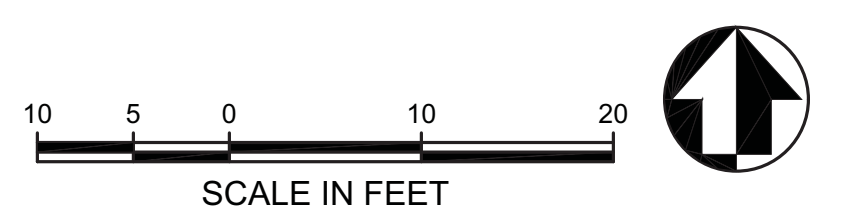
PMIS/PKG NO.
154636

SHEET
1 OF 22

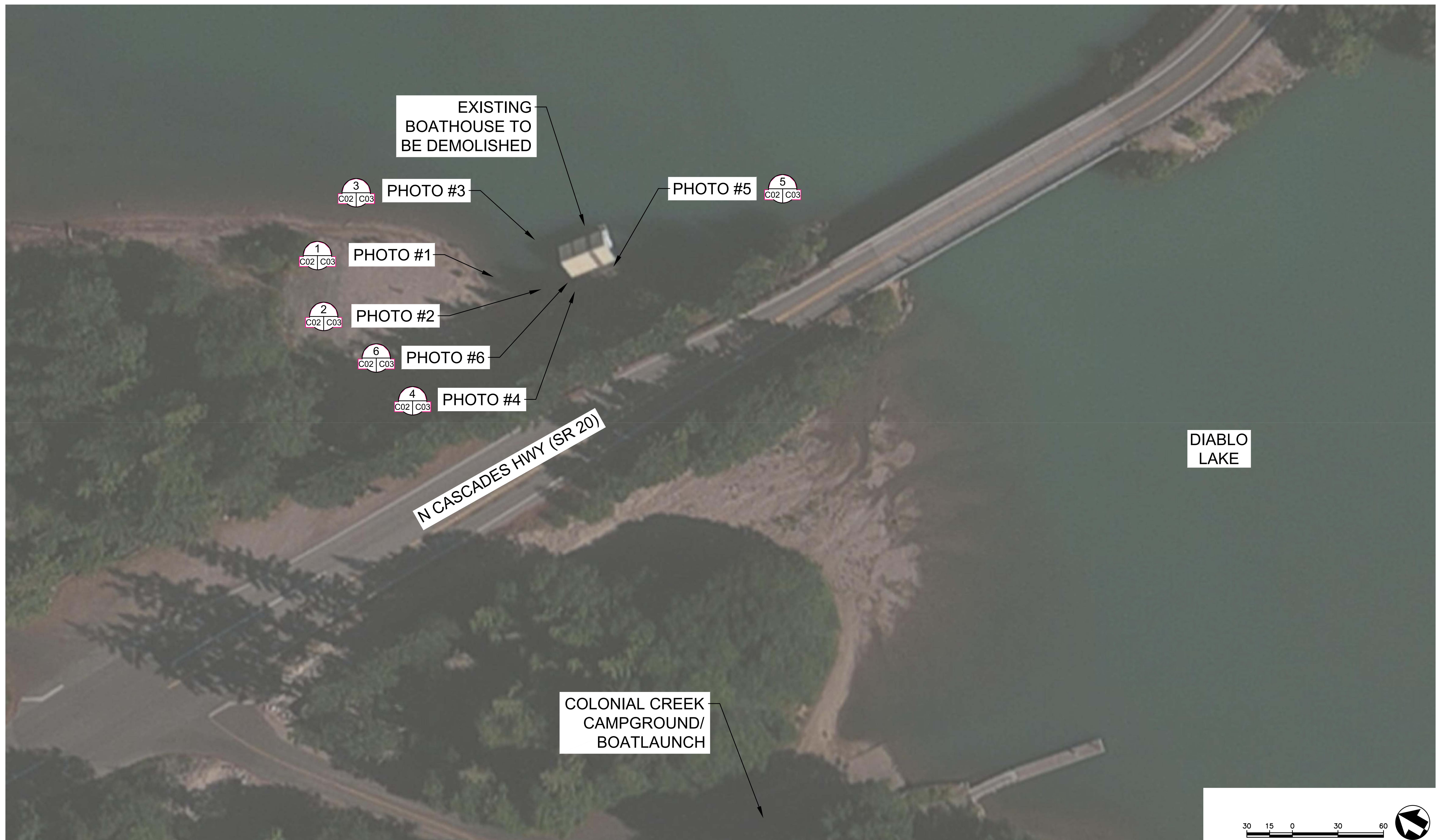


DIABLO LAKE

DIABLO LAKE



A/E FIRM CIVIL: DCG, INC SEATTLE, WA	DESIGNED: Q CLEMENTS	SUB SHEET NO. C01	TITLE OF SHEET EXISTING CONDITIONS, SITE & DEMO PLAN AT NEW BOATHOUSE LOCATION	DRAWING NO. 168 PMIS/PKG NO. 154636 SHEET 5 OF 22
	TECH. REVIEW: D SAARENAS DATE: 4/27/18			



EXISTING
BOATHOUSE TO
BE DEMOLISHED

3
C02 | C03 PHOTO #3

PHOTO #5 5
C02 | C03

1
C02 | C03 PHOTO #1

2
C02 | C03 PHOTO #2

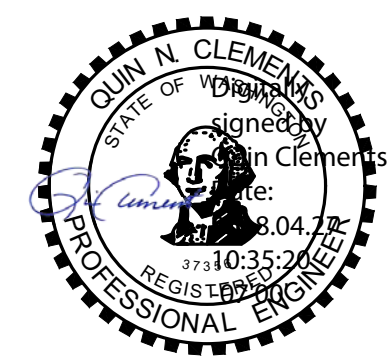
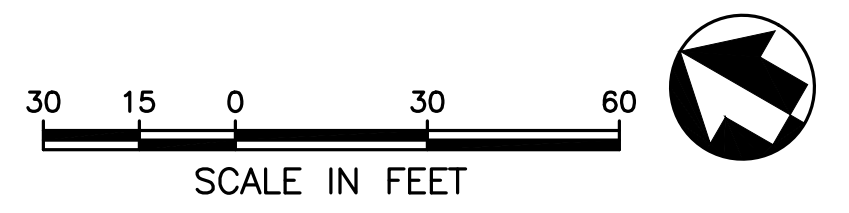
6
C02 | C03 PHOTO #6

4
C02 | C03 PHOTO #4

N CASCADES HWY (SR 20)

DIABLO
LAKE

COLONIAL CREEK
CAMPGROUND/
BOATLAUNCH



A/E FIRM
CIVIL:
DCG, INC
SEATTLE, WA

DESIGNED:
Q CLEMENTS
D SAARENAS
TECH. REVIEW:
x
DATE:
4/27/18

SUB SHEET NO.
C02

TITLE OF SHEET
**EXISTING BOATHOUSE
DEMO PLAN**
NORTH CASCADES NATIONAL PARK

DRAWING NO.
168
129,188
PMIS/PKG NO.
154636
SHEET
6 OF **22**



1
C02 | C03
**PHOTO #1 - DEMO EXISTING
BOATHOUSE & APPURTENANCES**
NO SCALE



2
C02 | C03
**PHOTO #2 - DEMO EXISTING
BOATHOUSE & APPURTENANCES**
NO SCALE



2
C02 | C03
**PHOTO #3 - DEMO EXISTING
BOATHOUSE & APPURTENANCES**
NO SCALE



4
C02 | C03
**PHOTO #4 - DEMO EXISTING
GANGWAY & APPURTENANCES**
NO SCALE



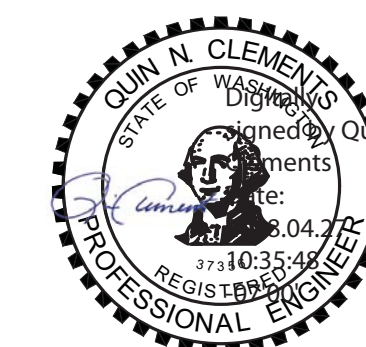
5
C02 | C03
**PHOTO #5 - DEMO EXISTING
FLOAT SYSTEM & APPURTENANCES**
NO SCALE



6
C02 | C03
**PHOTO #6 - DEMO EXISTING
BOATHOUSE ANCHORAGE & APPURTENANCES**
NO SCALE

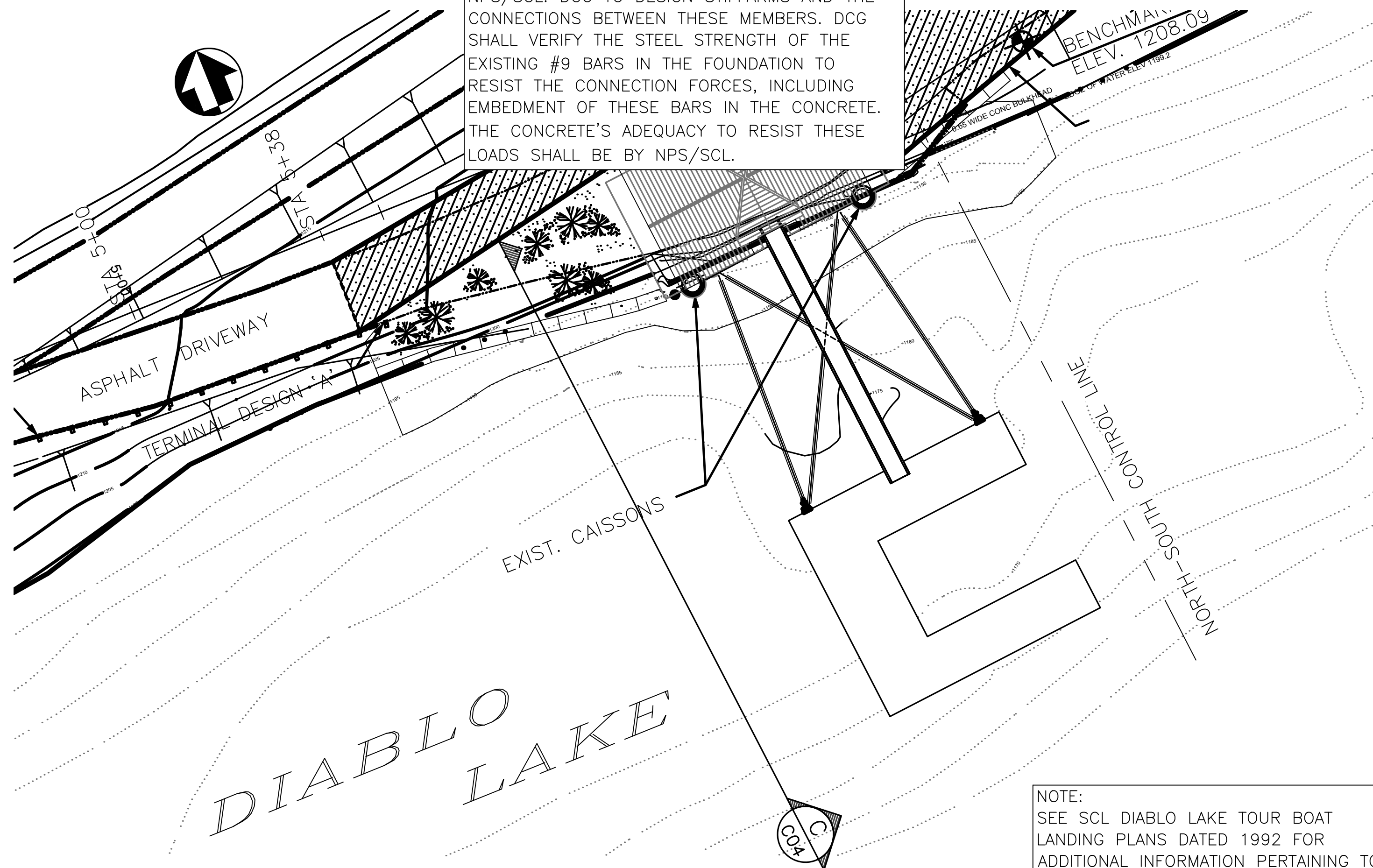
ALL NON-NATIVE
MATERIAL TO BE
REMOVED INCLUDING
CONCRETE SLAB

ABANDON EXISTING
ELECTRICAL POWER IN
PLACE. CUT EXISTING
CONDUIT BELOW
GRADE AND PLUG
WITH CONCRETE



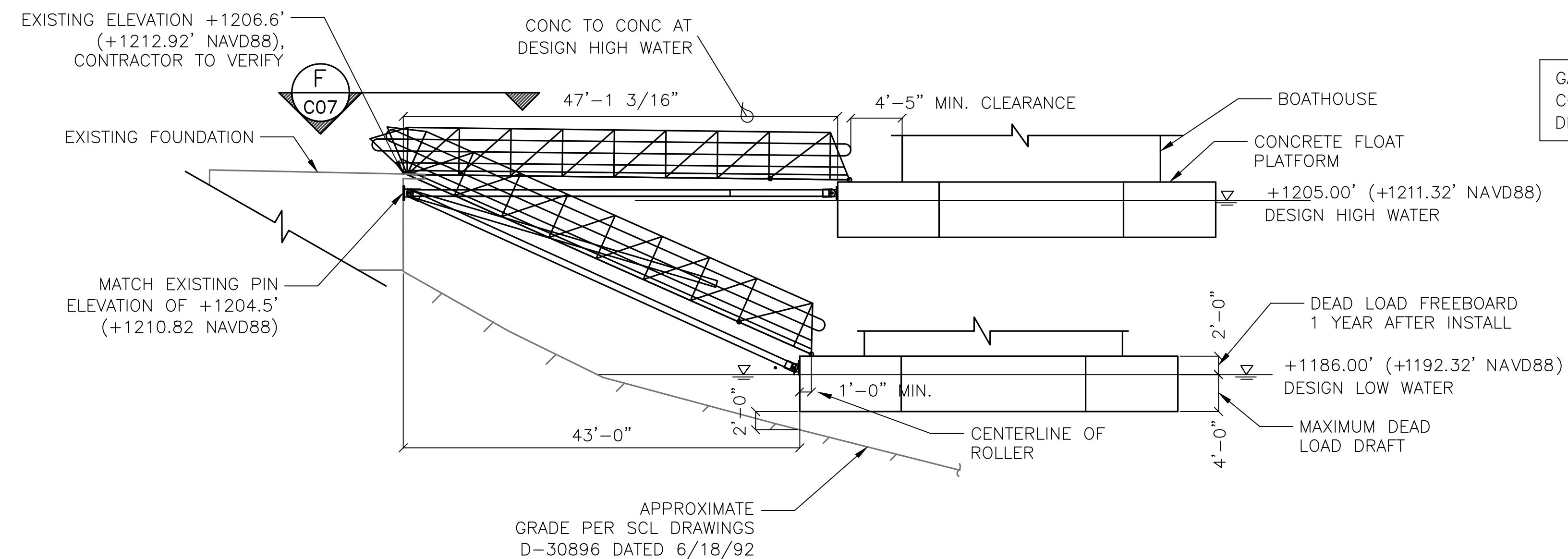
A/E FIRM CIVIL: DCG, INC SEATTLE, WA	DESIGNED: Q CLEMENTS	SUB SHEET NO. C03	TITLE OF SHEET EXISTING BOATHOUSE DEMO DETAILS	DRAWING NO. 168
	TECH. REVIEW: D SAARENAS			PMIS/PKG NO. 154636
	DATE: 4/27/18		NORTH CASCADES NATIONAL PARK	SHEET 7 OF 22

NOTE:
 DESIGN OF THE EXISTING FOUNDATION FOR THE LOADS FROM THE NEW BOATHOUSE SHALL BE BY NPS/SCL. DCG TO DESIGN STIFFARMS AND THE CONNECTIONS BETWEEN THESE MEMBERS. DCG SHALL VERIFY THE STEEL STRENGTH OF THE EXISTING #9 BARS IN THE FOUNDATION TO RESIST THE CONNECTION FORCES, INCLUDING EMBEDMENT OF THESE BARS IN THE CONCRETE. THE CONCRETE'S ADEQUACY TO RESIST THESE LOADS SHALL BE BY NPS/SCL.



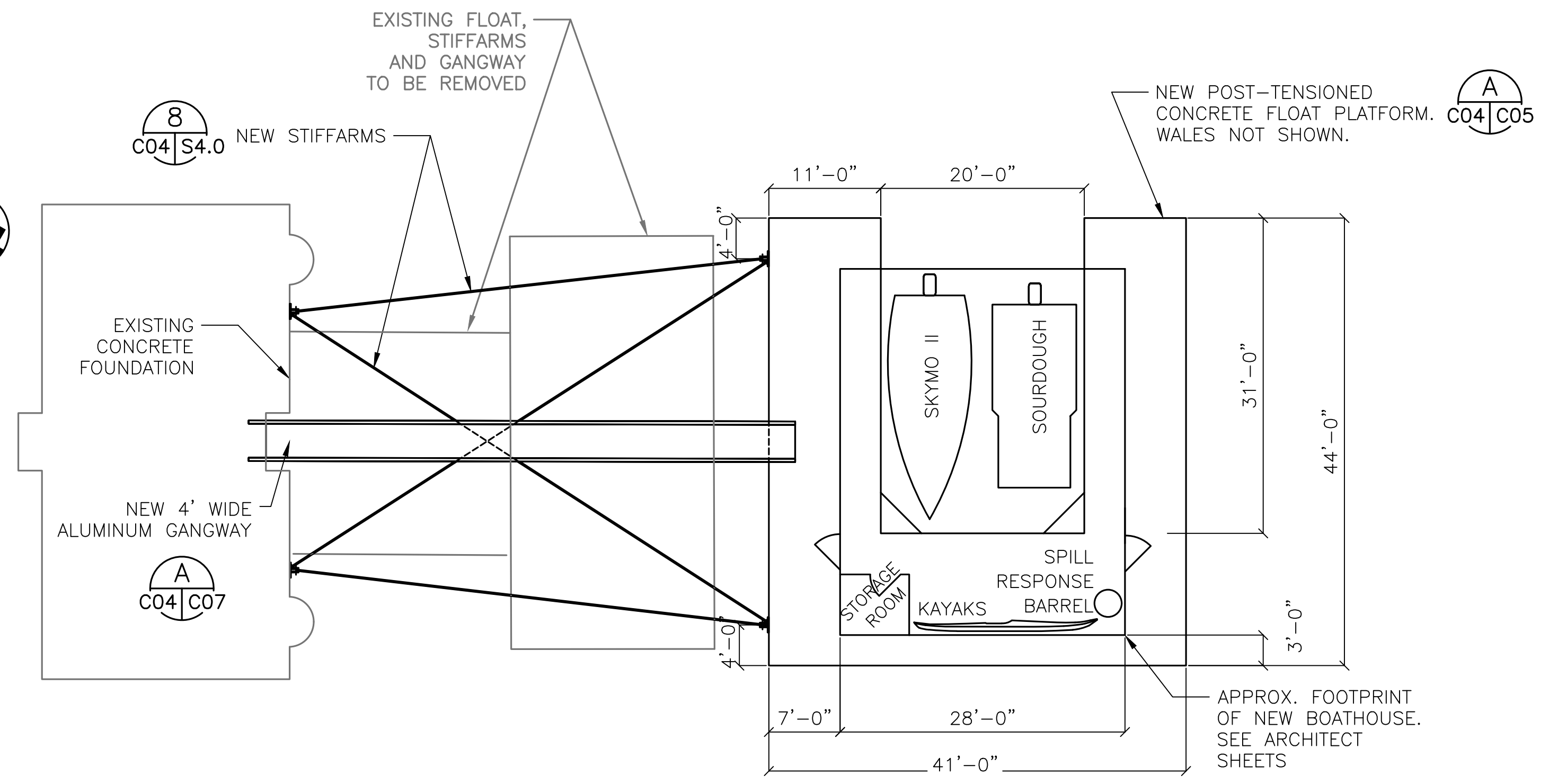
A BOATHOUSE - PLAN VIEW
 SCALE: (A)

NOTE:
 SEE SCL DIABLO LAKE TOUR BOAT LANDING PLANS DATED 1992 FOR ADDITIONAL INFORMATION PERTAINING TO THE EXISTING FOUNDATION.

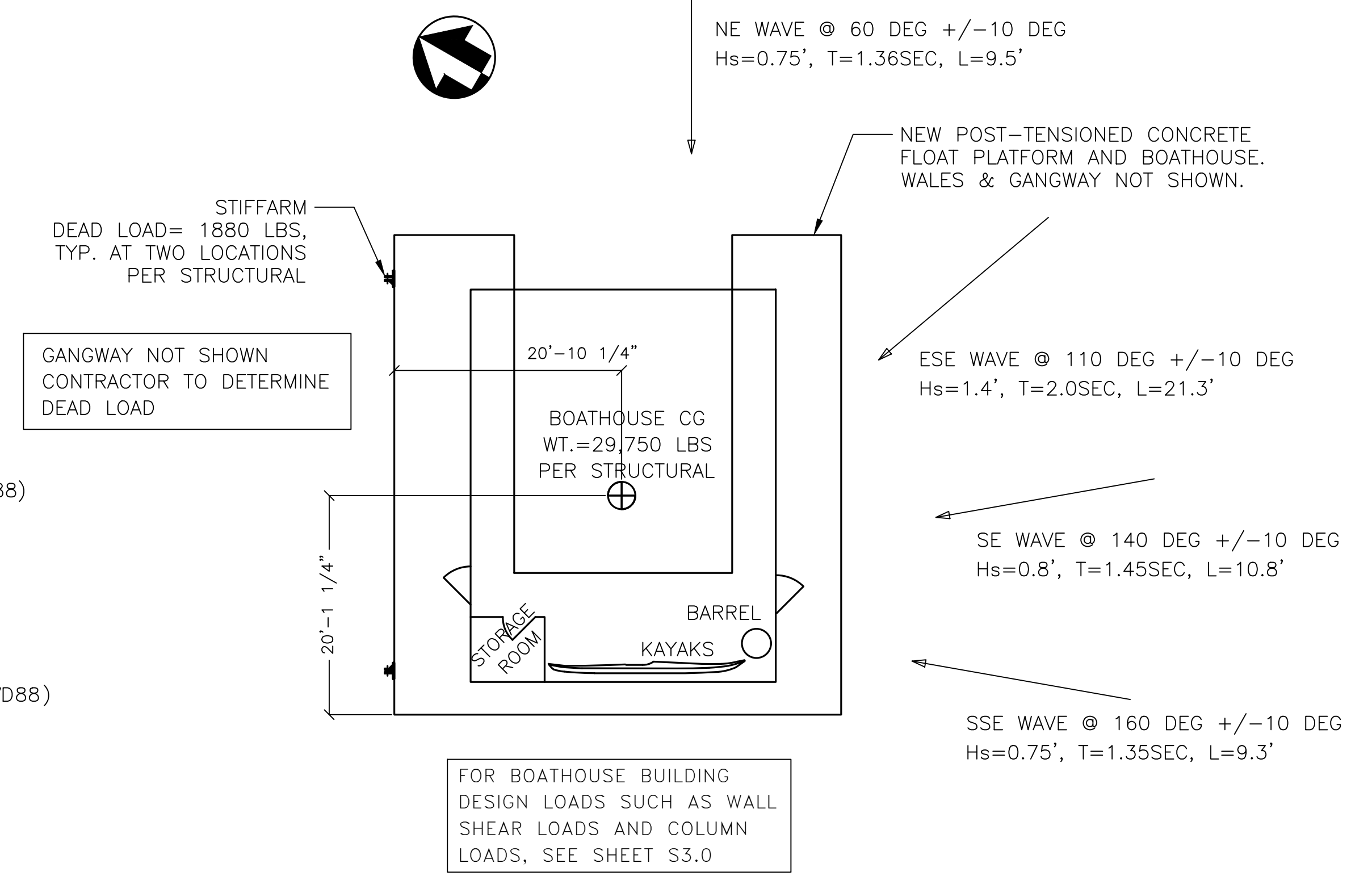


C BOATHOUSE - ELEVATION VIEW
 SCALE: (A)

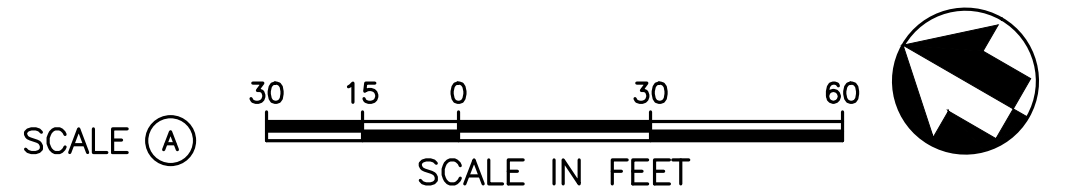
NOTE:
 PER WILSON ENGINEERING SURVEY DATED 6/13/16, THE CONVERSION FROM SEATTLE CITY LIGHT VERTICAL DATUM (SHOWN ABOVE) TO NAVD88 IS +6.32'. FOR EXAMPLE, +1205.0' (SCL) IS EQUIVALENT TO +1211.32' (NAVD88).



B NEW BOATHOUSE FLOAT AT LOW WATER - PLAN VIEW
 SCALE: (A)



D BOATHOUSE DEAD LOADS AND WAVE CLIMATE
 SCALE: (A)



A/E FIRM
 CIVIL:
 DCG, INC
 SEATTLE, WA
 ASHTON
 ENGINEERING, INC.
 BELLINGHAM, WA

DESIGNED:
 W HAYNES
 D SAARENAS
 TECH. REVIEW:
 x
 DATE:
 4/27/18

SUB SHEET NO.
C04

TITLE OF SHEET
SITE PLAN
 NORTH CASCADES NATIONAL PARK

DRAWING NO.
168
129,188
 PMIS/PKG NO.
 154636
 SHEET
8 OF **22**