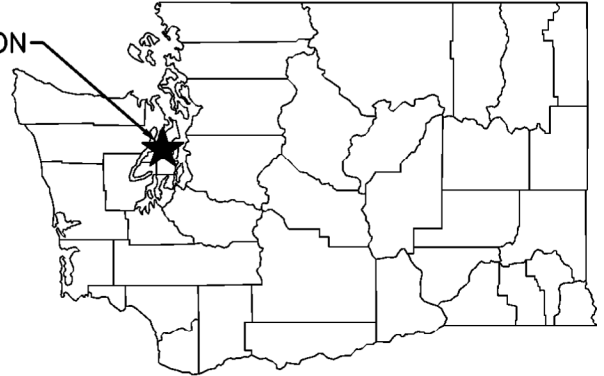
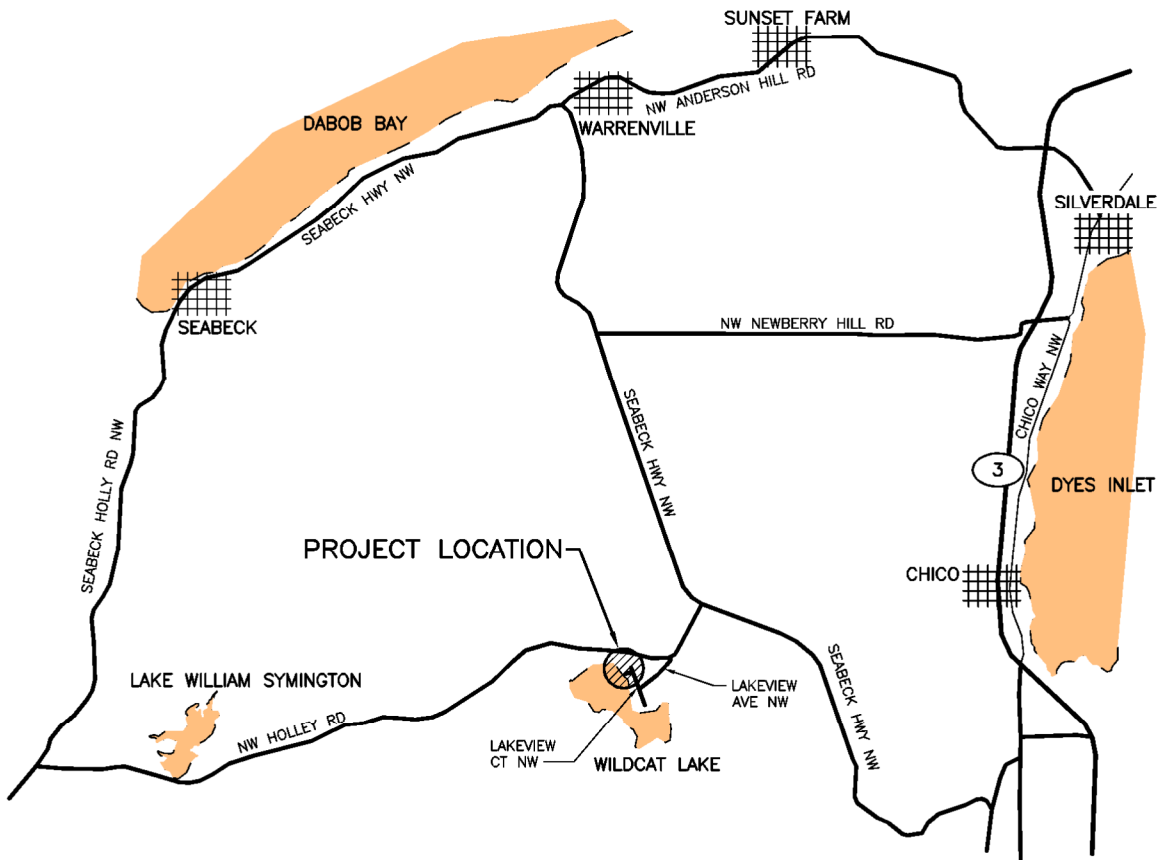




PROJECT LOCATION



STATE MAP
NOT TO SCALE



VICINITY MAP
NOT TO SCALE

ADDRESS:
LAKEVIEW CT NW
SEABECK, WA 98380

DIRECTIONS:
SOUTHWEST FROM SEABECK 3.7 MILES
ON SEABECK HOLLY RD, LEFT 4.7
MILES ON NW HOLLY RD, RIGHT .3
MILES ON LAKEVIEW AVE NW, RIGHT AT
PUBLIC FISHING SIGN ON LAKEVIEW CT
NW APPROX. 300 FT, ACCESS ON LEFT.

ENG. PROJECT NO. **KP:A273:18-1**

PORTION OF: **T 24 N, R 1 W, S 2**

DRAWN BY: **A. JOHNSON**

REFERENCE NUMBER:

APPLICANT:
WASHINGTON DEPT. of FISH & WILDLIFE
600 CAPITOL WAY N.
OLYMPIA, WA 98501-1091

PROJECT LOCATION (ADDRESS):

**WILDCAT LAKE ACCESS
LAKEVIEW CT NW
SEABECK, WA 98380**

PROPOSED PROJECT:

BOAT RAMP REPAIR

ADJACENT PROPERTY OWNER:

1.
2.

LAT/LONG: **47.6024/-122.7658**

DATUM: **ASSUMED**

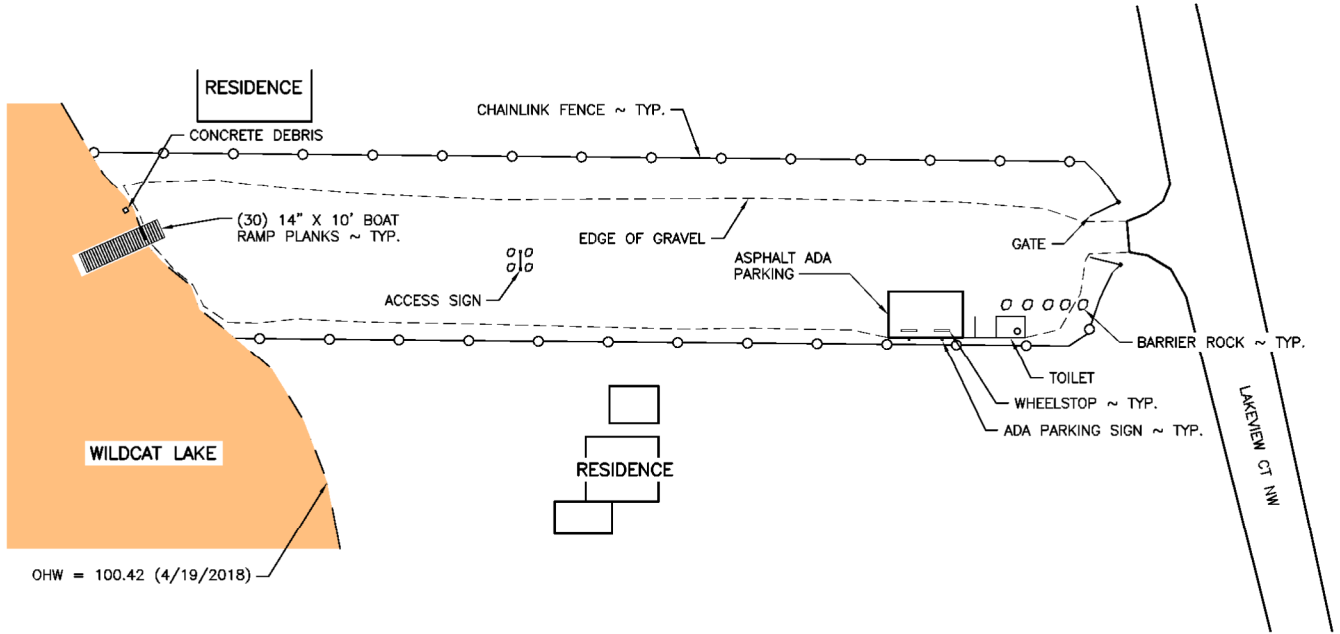
SHEET **1** OF **5** DATE: **4/26/2018**

IN: **WILDCAT LAKE**

NEAR/AT: **SEABECK**

COUNTY: **KITSAP**

STATE: **WA**

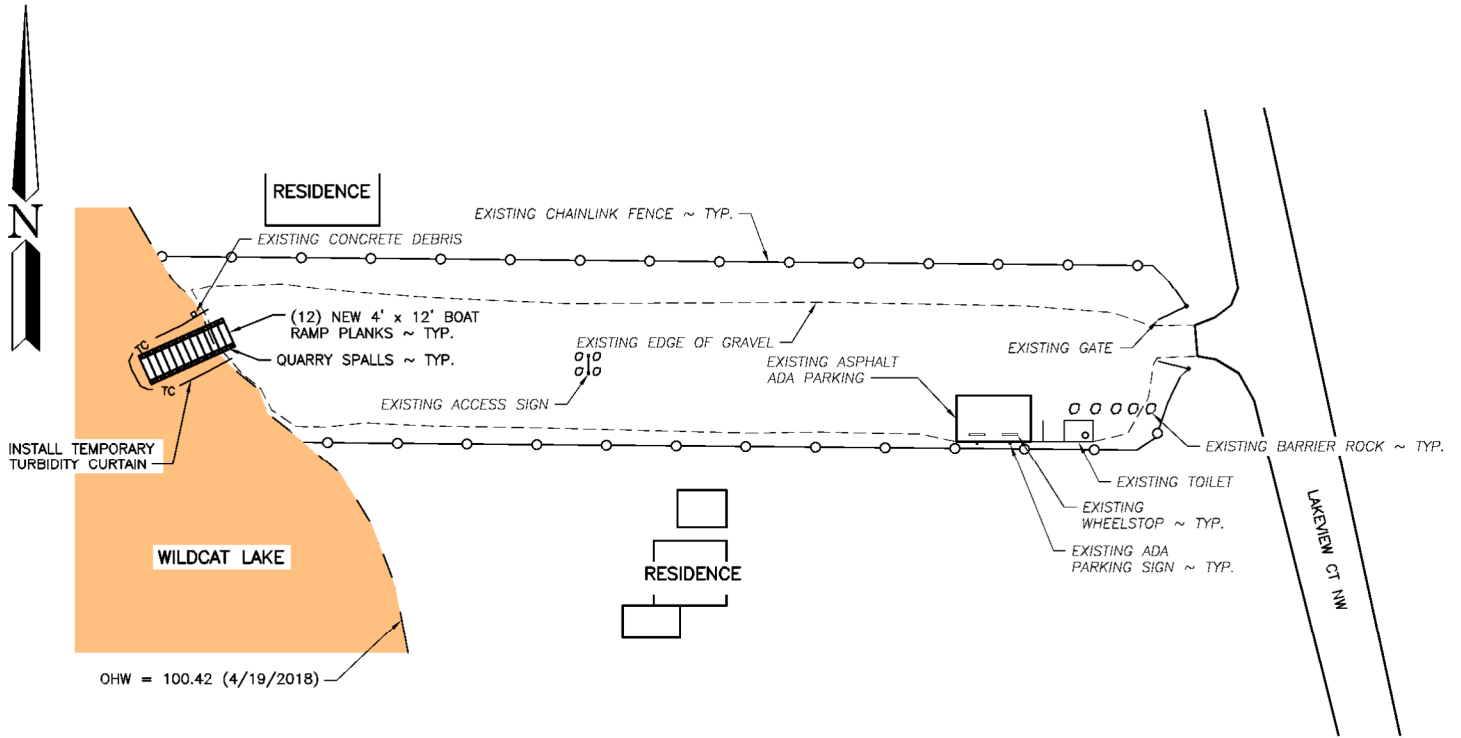


OHW = 100.42 (4/19/2018)

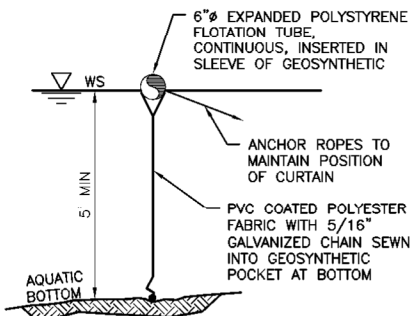
EXISTING SITE PLAN

SCALE: 1" = 100'

REFERENCE NUMBER:
APPLICANT NAME:
WASHINGTON DEPT. of FISH & WILDLIFE
PROPOSED PROJECT:
BOAT RAMP REPAIR
LOCATION: **WILDCAT LAKE ACCESS**
SHEET **2** OF **5** DATE: **4/26/2018**



SITE PLAN
SCALE: 1" = 100'

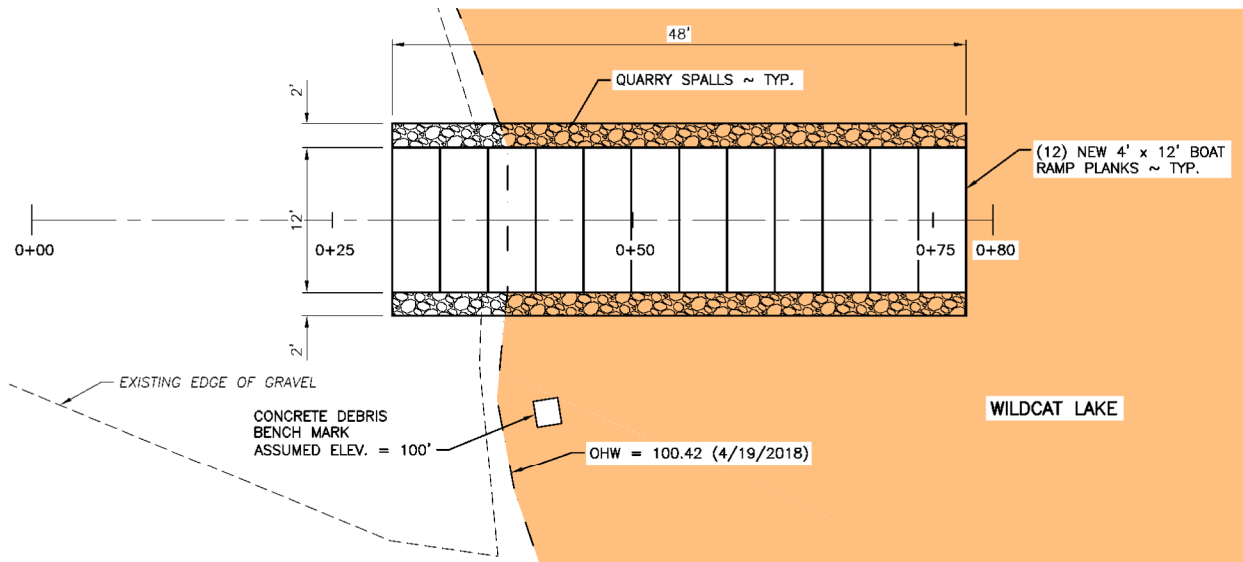


TURBIDITY CURTAIN
NOT TO SCALE

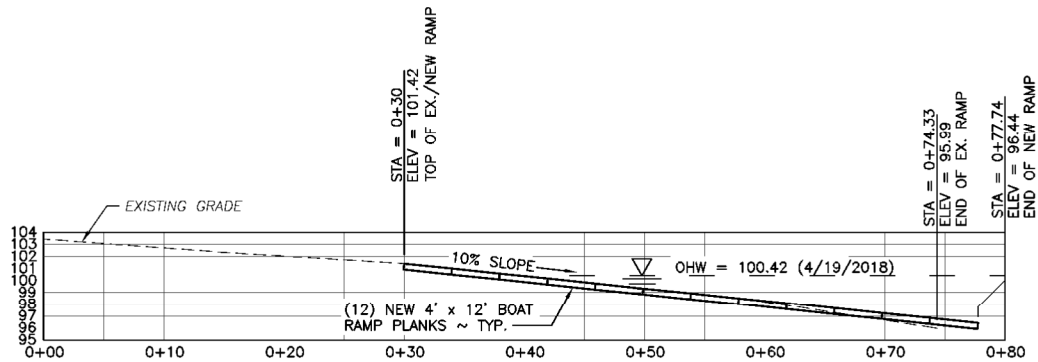
- NOTES:
1. FABRIC IS 22 OUNCES PER YARD SQUARED

QUANTITIES				
MATERIAL	CUT BELOW OHW	FILL BELOW OHW	CUT ABOVE OHW	FILL ABOVE OHW
RAMP PLANKS	5 CY	9 CY	1 CY	2 CY
CSBC		6 CY		2 CY
QUARRY SPALLS		5 CY		1 CY
NATIVE MATERIAL	14 CY		3 CY	
TOTAL CUT/FILL	19 CY	20 CY	4 CY	5 CY

REFERENCE NUMBER:
 APPLICANT NAME:
WASHINGTON DEPT. of FISH & WILDLIFE
 PROPOSED PROJECT:
BOAT RAMP REPAIR
 LOCATION: **WILDCAT LAKE ACCESS**
 SHEET **3** OF **5** DATE: **4/26/2018**



PLAN



PROFILE

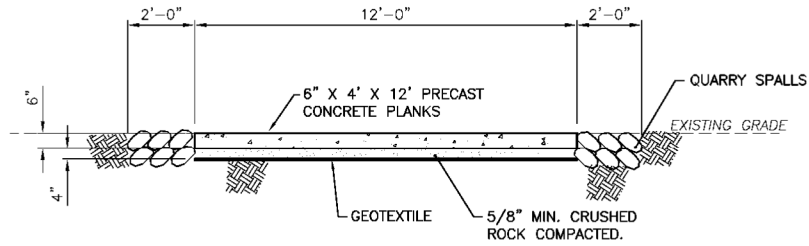
BOAT RAMP

SCALE: 1" = 16'

NOTES:

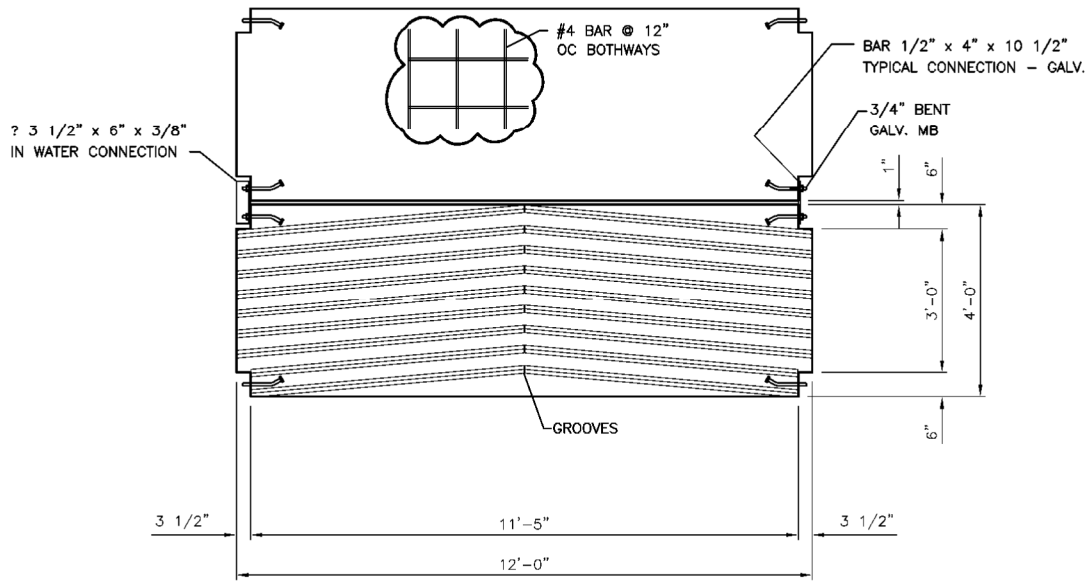
1. REMOVE ALL 14 INCH BY 10 FOOT CONCRETE PLANKS.
2. REMOVE ANY EXCESS MATERIAL FROM SITE.
3. INSTALL (12) 4 FOOT BY 12 FOOT CONCRETE PLANKS.
4. INSTALL QUARRY SPALLS ALONG SIDES OF NEW PLANKS.

REFERENCE NUMBER:
 APPLICANT NAME:
WASHINGTON DEPT. of FISH & WILDLIFE
 PROPOSED PROJECT:
BOAT RAMP REPAIR
 LOCATION: **WILDCAT LAKE ACCESS**
 SHEET **4** OF **5** DATE: **4/26/2018**



LAUNCH RAMP TYPICAL SECTION

NOT TO SCALE



PLANK DETAIL

NOT TO SCALE

REFERENCE NUMBER:
 APPLICANT NAME:
WASHINGTON DEPT. of FISH & WILDLIFE
 PROPOSED PROJECT:
BOAT RAMP REPAIR
 LOCATION: **WILDCAT LAKE ACCESS**
 SHEET **5** OF **5** DATE: **4/26/2018**